

RYOBI®

780r

2-Cycle Gas Trimmer/Brushcutter

OPERATOR'S MANUAL



FOR QUESTIONS, CALL 1-800-345-8746 in U.S. or
1-800-668-1238 in CANADA
www.RyobiOutdoor.com

IMPORTANT MANUAL

DO NOT THROW AWAY

INTRODUCTION

THANK YOU

Thank you for buying this quality product. This modern outdoor power tool will provide many hours of useful service. You will find it to be a great labor-saving device. This operator's manual provides you with easy-to-understand operating instructions. Read the whole manual and follow all the instructions to keep your new outdoor power tool in top operating condition.

PRODUCT REFERENCES, ILLUSTRATIONS AND SPECIFICATIONS

All information, illustrations and specifications in this manual are based on the latest product information available at the time of printing. We reserve the right to make changes at any time without notice.

Copyright© 2003 MTD SOUTHWEST INC
All Rights Reserved.

Bump Head™ is a trademark of MTD SOUTHWEST INC.
SplitLine™ is a trademark of MTD SOUTHWEST INC.

SERVICE INFORMATION

Service on this unit both within and after the warranty period should be performed only by an authorized and approved service dealer.

- Call **1-800-345-8746** in the United States, or **1-800-668-1238** in Canada, to obtain a list of authorized service dealers near you

Or

- Go to **www.RyobiOutdoor.com** on the World Wide Web for a list of authorized service dealers

DO NOT RETURN THE UNIT TO THE RETAILER.

NOTE: PROOF OF PURCHASE WILL BE REQUIRED FOR WARRANTY SERVICE.

Make sure you carefully read and understand this manual before starting or operating this equipment.

THIS PRODUCT IS COVERED BY ONE OR MORE US PATENTS, OTHER PATENTS PENDING.

TABLE OF CONTENTS



I.	California Proposition 65 Warning	3
II.	Rules for Safe Operation	3-7
	A. Important Safety Information	4
	B. Safety and International Symbols	6
	C. Know Your Unit	7
III.	Assembly Instructions	8-10
	A. Install and Adjust the J handle	8
	B. Install the Harness	8
	C. Remove and Install the Attachment Shield	8
	D. Remove the Cutting Attachment and Install the Cutting Blade	9
	E. Remove the Cutting Blade and Install the Cutting Attachment	10
IV.	Oil and Fuel Information	11
V.	Starting/Stopping Instructions	12
VI.	Operating Instructions	13-14
	A. Holding the Trimmer	13
	B. Adjusting Trimming Line Length	13
	C. Tips for Best Trimming Results	13
	D. Decorative Trimming	14
	E. Using the Cutting Blade	14
VII.	Maintenance and Repair Instructions	15-20
	A. Maintenance Schedule	15
	B. Line Installation	15
	C. Installing a Prewound Reel	17
	D. Air Filter Maintenance	17
	E. Spark Arrestor Maintenance	18
	F. Carburetor Adjustment	19
	G. Replacing the Spark Plug	19
	H. Cleaning	20
	I. Storage	20
	J. Long Term Storage	20
	K. Accessories/Replacement Parts	20
VIII.	Troubleshooting Chart	21
IX.	Specifications	22
X.	Warranty	24
XI.	Parts List	Inside Back Cover

CONTENTS OF CARTON

- Model 780r Trimmer/Brushcutter
- Δ Large Bump Head Cutting Attachment
- Δ 4-Tooth Brush Blade and Hardware
- Δ J-Handle and Hardware
- Cutting Attachment Shield with Hardware
- Shoulder Harness
- Locking Rod Tool
- Operator's Manual
- Product Registration Card
- Bottle of 2-Cycle Oil

Δ This item will either be installed on the unit or in the hardware pack

CALIFORNIA PROPOSITION 65 WARNING

	WARNING	
THE ENGINE EXHAUST FROM THIS PRODUCT CONTAINS CHEMICALS KNOWN TO THE STATE OF CALIFORNIA TO CAUSE CANCER, BIRTH DEFECTS OR OTHER REPRODUCTIVE HARM.		

SPARK ARRESTOR

NOTE: For users on U.S. Forest Land and in the states of California, Maine, Oregon and Washington. All U.S. Forest Land and the state of California (Public Resources Codes 4442 and 4443), Oregon and Washington require, by law that certain internal combustion engines operated on forest brush and/or grass-covered areas be equipped with a spark arrestor, maintained in effective working order, or the engine be constructed, equipped and maintained for the prevention of fire. Check with your state or local authorities for regulations pertaining to these requirements. Failure to follow these requirements could subject you to liability or a fine. **This unit is factory equipped with a spark arrestor.** If it requires replacement, ask your LOCAL SERVICE DEALER to install the **Accessory Part #182747 Spark Arrestor Kit.**

WARNING!


Read the Operator's Manual(s) and follow all warnings and safety instructions. Failure to do so can result in serious injury to the operator and/or bystanders.


FOR QUESTIONS, CALL 1-800-345-8746 IN U.S. OR 1-800-668-1238 in CANADA

RULES FOR SAFE OPERATION


The purpose of safety symbols is to attract your attention to possible dangers. The safety symbols, and their explanations, deserve your careful attention and understanding. The safety warnings do not by themselves eliminate any danger. The instructions or warnings they give are not substitutes for proper accident prevention measures.


SYMBOL	MEANING
--------	---------


	NOTE: Advises you of information or instructions vital to the operation or maintenance of the equipment.
-------------------------------------------------------------------------------------	-----------------------------------------------------------------------------------------------------------------

	SAFETY ALERT SYMBOL: Indicates danger, warning or caution. Attention is required in order to avoid serious personal injury. May be used in conjunction with other symbols or pictographs.
-------------------------------------------------------------------------------------	--------------------------------------------------------------------------------------------------------------------------------------------------------------------------------------------------

SYMBOL	MEANING
--------	---------

	DANGER: Failure to obey a safety warning will result in serious injury to yourself or to others. Always follow the safety precautions to reduce the risk of fire, electric shock and personal injury.
-------------------------------------------------------------------------------------	--------------------------------------------------------------------------------------------------------------------------------------------------------------------------------------------------------------

	WARNING: Failure to obey a safety warning can result in injury to yourself and others. Always follow the safety precautions to reduce the risk of fire, electric shock and personal injury.
-------------------------------------------------------------------------------------	----------------------------------------------------------------------------------------------------------------------------------------------------------------------------------------------------

	CAUTION: Failure to obey a safety warning may result in property damage or personal injury to yourself or to others. Always follow the safety precautions to reduce the risk of fire, electric shock and personal injury.
-------------------------------------------------------------------------------------	----------------------------------------------------------------------------------------------------------------------------------------------------------------------------------------------------------------------------------

RULES FOR SAFE OPERATION

• IMPORTANT SAFETY INFORMATION •

READ ALL INSTRUCTIONS



WARNING: When using the unit, you must follow the safety rules. For your own safety and that of bystanders, please read these instructions before operating the unit. Please keep the instructions for later use.

BEFORE OPERATING

- Read the instructions carefully. Be familiar with the controls and proper use of the unit.
- Do not operate this unit when tired, ill or under the influence of alcohol, drugs or medication.
- Children under the age of 15 must not use the unit; teens may operate the unit with adult guidance.
- Inspect the unit before use. Replace damaged parts. Check for fuel leaks. Make sure all fasteners are in place and secure. Replace cutting attachment parts that are cracked, chipped or damaged in any way. Make sure the cutting attachment is properly installed and securely fastened. Be sure that the cutting attachment shield is properly attached, and positioned as recommended. Failure to do so can result in personal injury to the operator and bystanders, as well as damage to the unit.
- Use only 0.095 inch (2.41 mm) diameter Genuine Factory Parts™ replacement line. Never use metal-reinforced line, wire, chain or rope. These can break off and become dangerous projectiles.
- Be aware of risk of injury to the head, hands and feet.
- Clear the area to be cut before each use. Remove rocks, broken glass, nails, wire, string and other objects which may be thrown or become entangled in the cutting attachment. Clear the area of children, bystanders and pets; keep them outside a 50-foot (15 m.) radius, at a minimum. Even then, they are still at risk from thrown objects. Encourage bystanders to wear eye protection. If you are approached, stop the unit immediately.
- Squeeze the throttle control and check that it returns automatically to the idle position. Make all adjustments or repairs before using the unit.

SAFETY WARNINGS FOR GAS TRIMMERS



WARNING: Gasoline is highly flammable, and its vapors can explode if ignited. Take the following precautions:

- Store fuel only in containers specifically designed and approved for the storage of such materials.

- Always stop the engine and allow it to cool before filling the fuel tank. Never remove the fuel tank cap or add fuel when the engine is hot. Never operate the unit without the fuel cap securely in place. Loosen the fuel tank cap slowly to relieve any pressure in the tank.
- Add fuel in a clean, well-ventilated outdoor area where there are no sparks or flames. Remove the fuel cap slowly, and only after the engine stops. Do not smoke while fueling or mixing fuel. Wipe up any spilled fuel from the unit immediately.
- Avoid creating a source of ignition for spilled fuel. Do not start the engine until fuel vapors dissipate.
- Move the unit at least 30 feet (9.1 m) from the fueling source and site before starting the engine. Do not smoke. Keep sparks and open flames away from the area while adding fuel or operating the unit.

WHILE OPERATING

- Never start or run the unit inside a closed room or building. Breathing exhaust fumes can be fatal. Operate this unit only in a well-ventilated outdoor area.
- Wear safety glasses or goggles that meet ANSI Z87.1 standards and are marked as such. Wear ear/hearing protection when operating this unit. Wear a face or dust mask if the operation is dusty.
- Wear heavy long pants, boots, gloves and a long sleeve shirt. Do not wear loose clothing, jewelry, short pants, sandals or go barefoot. Secure hair above shoulder level.
- The cutting attachment shield must always be in place while operating the unit as a trimmer. Do not operate unit without both trimming lines extended, and the proper line installed. Do not extend the trimming line beyond the length of the shield.
- This unit has a clutch. The cutting attachment remains stationary when the engine is idling. If it does not, have the unit adjusted by an authorized service technician.
- Adjust the J-handle to your size in order to provide the best grip.
- Be sure the cutting attachment is not in contact with anything before starting the unit.
- Use the unit only in daylight or good artificial light.
- Avoid accidental starting. Be in the starting position whenever pulling the starter rope. The operator and unit must be in a stable position while starting. Refer to *Starting/Stopping Instructions*.
- Use the right tool. Only use this tool for its intended purpose.

RULES FOR SAFE OPERATION

- Do not overreach. Always keep proper footing and balance.
- Always hold the unit with both hands when operating. Keep a firm grip on both handles or grips.
- Keep hands, face, and feet at a distance from all moving parts. Do not touch or try to stop the cutting attachment when it rotates.
- Do not touch the engine, gear housing or muffler. These parts get extremely hot from operation, even after the unit is turned off.
- Do not operate the engine faster than the speed needed to cut, trim or edge. Do not run the engine at high speed when not cutting.
- Always stop the engine when cutting is delayed or when walking from one cutting location to another.
- If you strike or become entangled with a foreign object, stop the engine immediately and check for damage. Do not operate before repairing damage. Do not operate the unit with loose or damaged parts.
- Stop the unit, switch the engine to off, and disconnect the spark plug for maintenance or repair.
- Use only Genuine Factory Parts™ replacement parts and accessories for this unit. These are available from your authorized service dealer. Use of any unauthorized parts or accessories could lead to serious injury to the user, or damage to the unit, and void your warranty.
- Keep unit clean of vegetation and other materials. They may become lodged between the cutting attachment and shield.
- To reduce fire hazard, replace a faulty muffler and spark arrestor. Keep the engine and muffler free from grass, leaves, excessive grease or carbon build up.
- Do not attempt to touch or stop the blade when it is rotating.
- A coasting blade can cause injury while it continues to spin after the engine is stopped or the throttle trigger is released. Maintain proper control until the blade has completely stopped rotating.
- Do not run the unit at high speed when not cutting.
- If you strike or become entangled with a foreign object, stop the engine immediately and check for damage. Have any damage repaired before attempting further operations. Do not operate unit with a bent, cracked or dull blade. Discard blades that are bent, warped, cracked or broken.
- Do not sharpen the cutting blade. Sharpening the blade can cause the blade tip to break off while in use. This can result in severe personal injury. Replace the blade.
- Do not use the cutting blade for edging or as an edger; severe personal injury to yourself or others may incur. Use the cutting blade only for the purpose described in this manual.
- Stop the engine IMMEDIATELY if you feel excessive vibration. Vibration is a sign of trouble. Inspect thoroughly for loose nuts, bolts or damage before continuing. Repair or replace affected parts as necessary.

After Use

- Clean cutting blades with a household cleaner to remove any gum buildup. Oil the blade with machine oil to prevent rust.
- Lock up and store the cutting blade in an appropriate area to protect the blade from unauthorized use or damage.

OTHER SAFETY WARNINGS

- Never store a fueled unit inside a building where fumes may reach an open flame or spark.
- Allow the engine to cool before storing or transporting. Be sure to secure the unit while transporting.
- Store the unit in a dry area, locked up or up high to prevent unauthorized use or damage, out of the reach of children.
- Never douse or squirt the unit with water or any other liquid. Keep handles dry, clean and free from debris. Clean after each use, see *Cleaning and Storage* instructions.
- Keep these instructions. Refer to them often and use them to instruct other users. If you loan someone this unit, also loan them these instructions.

SAVE THESE INSTRUCTIONS


WHILE OPERATING WITH CUTTING BLADE

- Read and understand all safety warnings before operating this unit.
- Always use the shoulder harness when using the brush blade accessory.
- Keep the J-handle between the operator and cutting attachment or blade at all times.
- NEVER cut when the cutting blade is 30 inches (76 cm) or more above the ground level.
- Blade thrust may occur when the spinning blade contacts an object that it does not immediately cut. Blade thrust can be violent enough to propel the unit and/or operator in any direction, possibly causing a loss of control. Blade thrust can occur without warning if the blade snags, stalls or binds. This is more likely to occur in areas where it is difficult to see the material being cut.
- For operation with the brush blade, do not cut anything thicker than 1/2 inch or a violent kickback could occur.

RULES FOR SAFE OPERATION

SAFETY AND INTERNATIONAL SYMBOLS

This operator's manual describes safety and international symbols and pictographs that may appear on this product. Read the operator's manual for complete safety, assembly, operating and maintenance and repair information.

SYMBOL	MEANING	SYMBOL	MEANING
	<ul style="list-style-type: none"> • SAFETY ALERT SYMBOL <p>Indicates danger, warning or caution. May be used in conjunction with other symbols or pictographs.</p>		<ul style="list-style-type: none"> • ON/OFF STOP CONTROL <p>OFF or STOP</p>
	<ul style="list-style-type: none"> • WARNING - READ OPERATOR'S MANUAL <p>Read the operator's manual(s) and follow all warnings and safety instructions. Failure to do so can result in serious injury to the operator and/or bystanders.</p>		<ul style="list-style-type: none"> • THROWN OBJECTS AND ROTATING CUTTER CAN CAUSE SEVERE INJURY <p>WARNING: Do not operate without the cutting attachment shield in place. Keep away from the rotating cutting attachment.</p>
	<ul style="list-style-type: none"> • WEAR EYE AND HEARING PROTECTION <p>WARNING: Thrown objects and loud noise can cause severe eye injury and hearing loss. Wear eye protection meeting ANSI Z87.1 standards and ear protection when operating this unit. Use a full face shield when needed.</p>		<ul style="list-style-type: none"> • HOT SURFACE WARNING <p>Do not touch a hot muffler, gear housing or cylinder. You may get burned. These parts get extremely hot from operation. They remain hot for a short time after the unit is turned off.</p>
	<ul style="list-style-type: none"> • KEEP BYSTANDERS AWAY <p>WARNING: Keep all bystanders, especially children and pets, at least 50 feet (15 m) from the operating area.</p>		<ul style="list-style-type: none"> • SHARP BLADE <p>WARNING: Sharp blade on cutting attachment shield. To prevent serious injury, do not touch line cutting blade.</p>
	<ul style="list-style-type: none"> • UNLEADED FUEL <p>Always use clean, fresh unleaded fuel.</p>		<ul style="list-style-type: none"> • BRUSHCUTTERS • REPLACE DULL BLADE <p>Do not sharpen the cutting blade. Sharpening the blade can cause the blade tip to break off while in use. This can result in severe personal injury.</p>
	<ul style="list-style-type: none"> • OIL <p>Refer to operator's manual for the proper type of oil.</p>		<ul style="list-style-type: none"> • TRIMMER/BRUSHCUTTER SAFETY <p>WARNING: Thrown objects and rotating cutter can cause severe injury. Keep bystanders, especially children and pets, at least 50 feet (15 m) away from the cutting area. The cutting attachment shield must be used when using the trimmer cutting attachment.</p>
	<ul style="list-style-type: none"> • ON/OFF STOP CONTROL <p>ON / START / RUN</p>		

RULES FOR SAFE OPERATION

KNOW YOUR UNIT

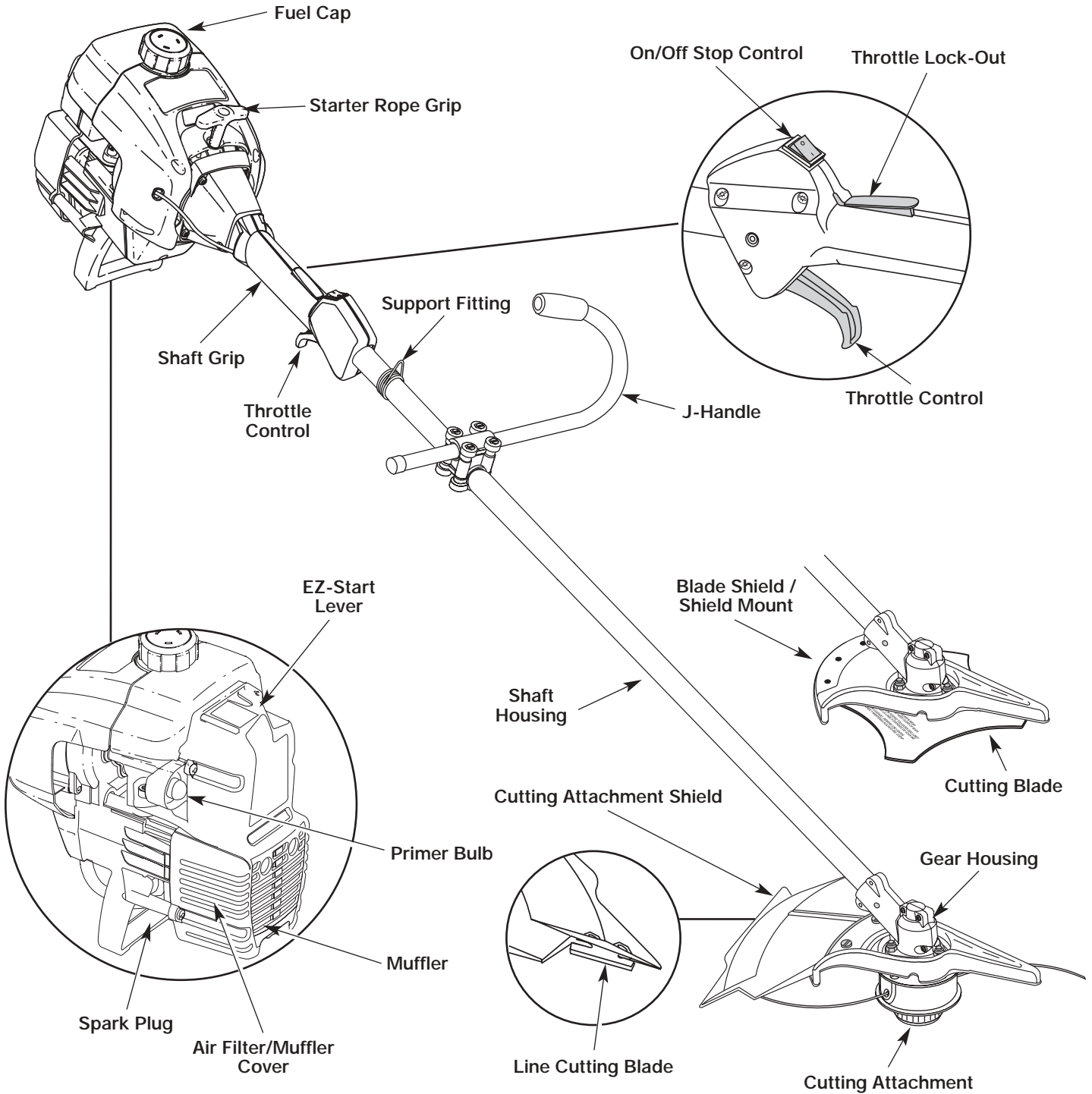
APPLICATIONS

As a trimmer:

- Cutting grass and light weeds
- Edging
- Decorative trimming around trees, fences, etc.

As a brushcutter:

- Cutting weeds and light bush of up to 1/2 inch in diameter



ASSEMBLY INSTRUCTIONS

On some units, the J-handle may be pre-installed. In this case you must loosen screws and adjust the handle to fit the operator. Go to step 5 if the J-handle is pre-installed.

INSTALL AND ADJUST THE J-HANDLE

1. Place the J-handle between the top and middle clamp pieces (Fig. 1).

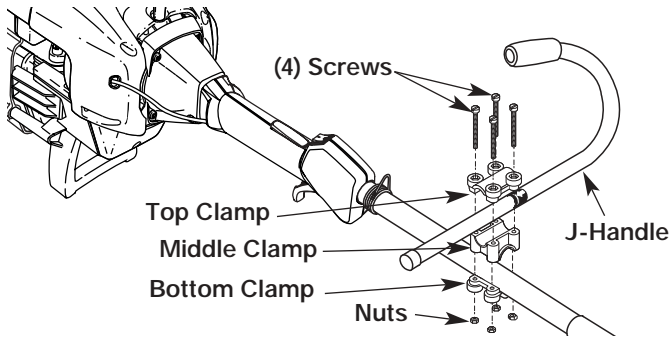


Fig. 1

2. While holding the three pieces together, install the four (4) screws through the top clamp and into middle clamp.

NOTE: The holes in the top and middle clamp will line up only when assembled correctly.

3. Place the clamps and the J-handle over the shaft housing and onto the bottom clamp.
4. Hold each hex nut in the bottom clamp recess with a finger. Start screws with a large Phillips screwdriver. Do not tighten until you make the handle adjustment.
5. Slide the J-handle in or out until the arrow/white line on the decal touches the clamp assembly (Fig. 2). You must first loosen the screws if the handle is pre-installed.

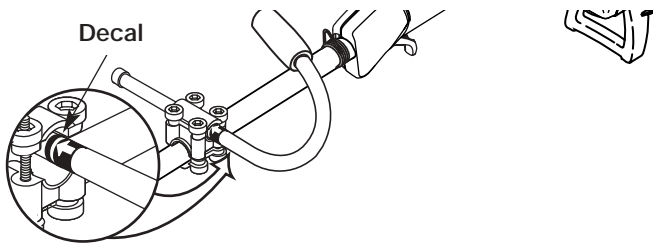


Fig. 2

6. While holding the unit in the operating position (Fig. 3), position the J-handle to the location that provides you the best grip.



Fig. 3

7. Tighten the clamp screws evenly, until the J-handle is secure.

INSTALL THE HARNESS



WARNING: Always use the shoulder harness when using the cutting blade to avoid serious personal injury.

1. Push the strap through the center of the buckle.
2. Pull the strap over the cross bar and down through the slot in the buckle (Fig. 4).
3. Put the harness on over head and onto shoulder. Snap it on to the support fitting (Fig. 5).
4. Adjust length to fit the operator's size. Pull tab to lengthen, pull strap to shorten (Fig 6).

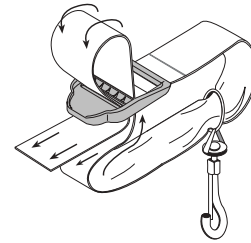


Fig. 4

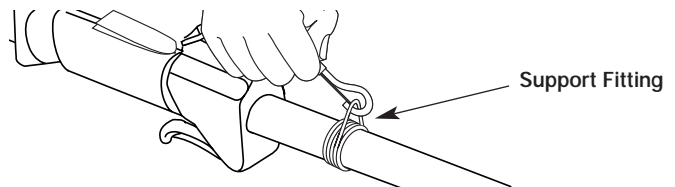


Fig. 5

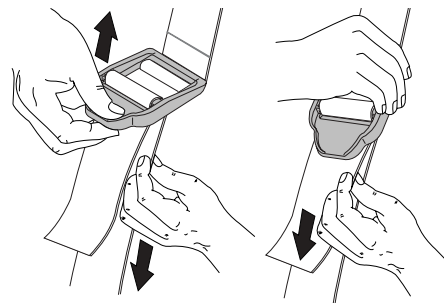


Fig. 6

REMOVE AND INSTALL THE CUTTING ATTACHMENT SHIELD

Remove the cutting attachment shield when using the unit as a brushcutter



WARNING: The cutting attachment shield should NOT be installed when operating the unit with a blade. Remove the cutting attachment shield before removing or installing the blade.

Remove the cutting attachment shield from the shield mount by removing the three (3) screws with a flat blade screwdriver (Fig. 7). Store parts for future use.

ASSEMBLY INSTRUCTIONS

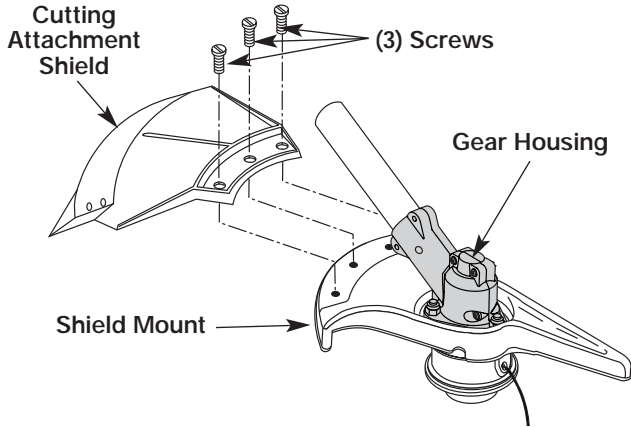


Fig. 7

Install the cutting attachment shield when using the unit as a grass trimmer



WARNING: To avoid serious personal injury, the cutting attachment shield **MUST** be in place at all times while operating the unit as a grass trimmer.

Install the cutting attachment shield on the shield mount by inserting the three (3) screws into the shield mount. Tighten securely with a flat blade screwdriver (Fig. 7).

REMOVE THE CUTTING ATTACHMENT AND INSTALL THE CUTTING BLADE

NOTE: To make cutting blade removal and installation easier, place the unit on the ground or on a work bench.

Remove the Cutting Attachment Shield

See *Remove and Install the Cutting Attachment Shield*.

Remove the Cutting Attachment



WARNING: The gear housing gets hot with use. It can result in injury to the operator. The housing remains hot for a short time even after the unit is turned off. Do not touch the gear housing until it has cooled.

1. Align the shaft bushing hole with the locking rod slot and insert the locking rod into the shaft bushing hole (Fig. 8).

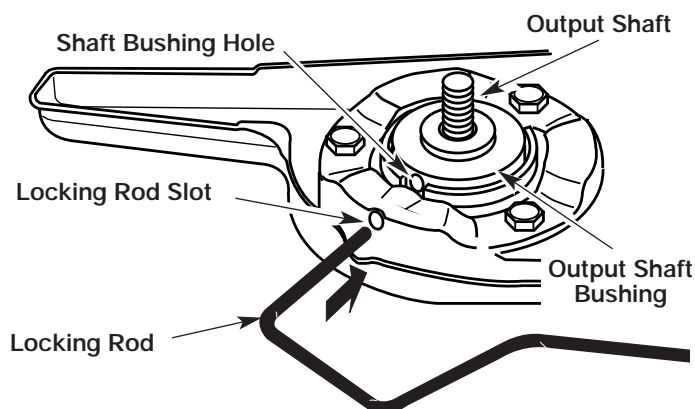


Fig. 8

2. Hold the locking rod in place by grasping it next to the boom of the unit (Fig. 9).
3. While holding the locking rod, remove the cutting attachment by turning it clockwise off of the output shaft (Fig. 10). Store the cutting attachment for future use.

NOTE: The blade retainer under the cutting attachment will be used when installing the cutting blade.

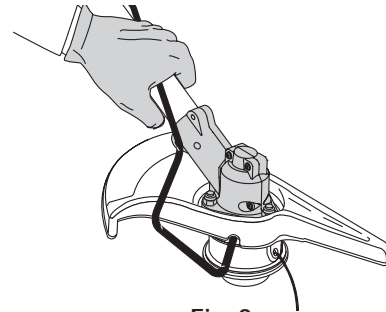


Fig. 9

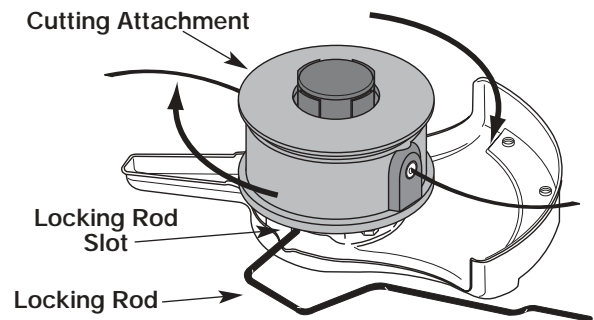


Fig. 10

Install the Cutting Blade



WARNING: To avoid serious personal injury, always wear gloves while handling or installing the blade.

4. Place the cutting blade on the output shaft bushing (Fig. 11).

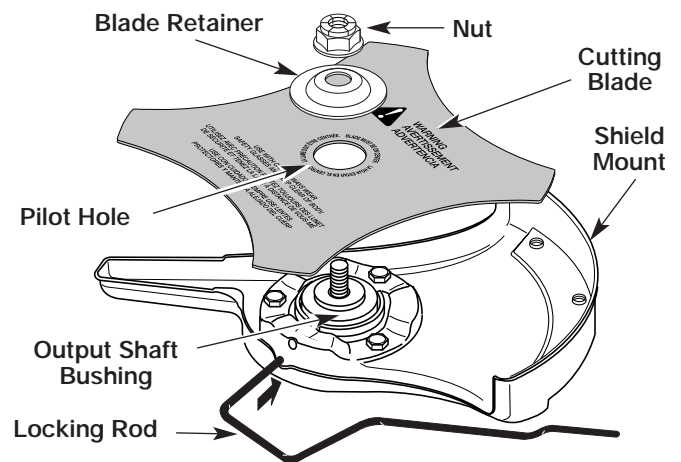


Fig. 11

ASSEMBLY INSTRUCTIONS

5. Make sure that the cutting blade is centered on the pilot step and sitting flat against the output shaft bushing (Fig. 12).



WARNING: If the cutting blade is off-center, the unit will vibrate and the blade may fly off, causing possible serious personal injury.

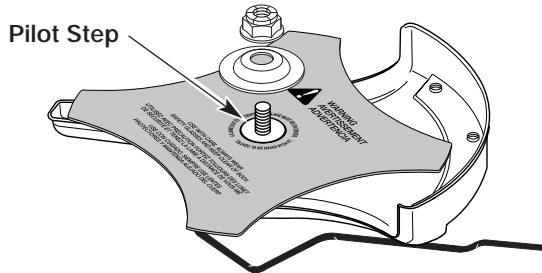


Fig. 12

6. Align the shaft bushing hole with the locking rod slot and insert the locking rod into the bushing hole (Fig. 8).
7. Put the blade retainer and nut on the output shaft. Make sure that the blade is installed correctly.
8. Tighten nut counterclockwise against the blade while holding the locking rod:
 - If using a torque wrench and an 5/8 inch socket tighten to: **325 - 335 in•lb, 27 - 28 ft.•lb, 37 - 38 N•m.**
 - Without a torque wrench, use a 5/8 inch closed-end or socket wrench, turning the nut until the blade retainer is snug against the shaft bushing. Make sure that the blade is installed correctly, then rotate the nut an additional 1/4 to 1/2 turn counterclockwise (Fig. 13).

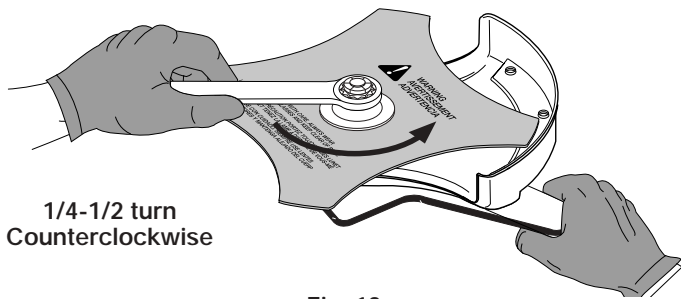


Fig. 13

9. Remove the locking rod from the locking rod slot.



WARNING: To avoid serious personal injury or damage to the unit, do not start or operate this unit with the locking rod in the locking rod slot.



WARNING: Do not sharpen the cutting blade. Sharpening the blade can cause the blade tip to break off while in use. This can result in severe personal injury. Replace the blade.

REMOVE THE CUTTING BLADE AND INSTALL THE CUTTING ATTACHMENT



WARNING: To avoid serious personal injury, always wear gloves while handling or installing the blade.

Remove the Cutting Blade

1. Align the shaft bushing hole with the locking rod slot and insert the locking rod into the bushing hole (Fig. 8).
2. Hold the locking rod in place by grasping it next to the boom of the unit (Fig. 14).
3. While holding the locking rod, loosen the nut on the blade by turning it clockwise with a 5/8 inch closed-end or socket wrench (Fig. 14).

Clockwise

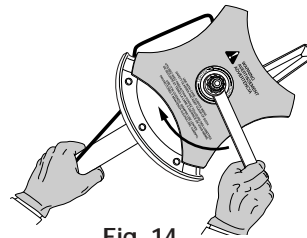


Fig. 14

4. Remove the nut, blade retainer and blade. Store the nut and blade together for future use in a secure place. Store out of children's reach.

Install the Cutting Attachment

5. Align the shaft bushing hole with the locking rod slot and insert the locking rod into the shaft bushing hole (Fig. 8). Place the blade retainer on the output shaft with the flat surface against the output shaft bushing (Fig. 15). Screw the cutting attachment counterclockwise onto the output shaft. Tighten securely.

NOTE: The blade retainer must be installed on the output shaft in the position shown for the cutting attachment to work correctly.

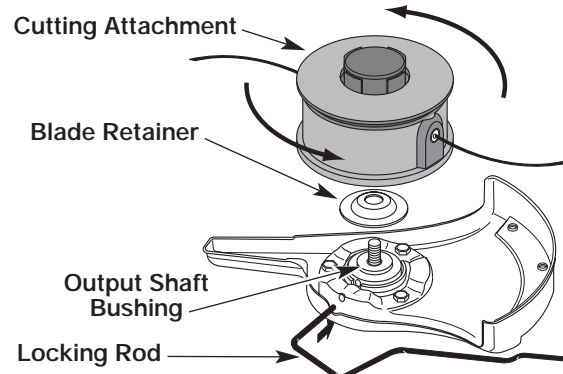


Fig. 15

6. Remove the locking rod.
7. Install the cutting attachment shield. Refer to *Remove and Install the Cutting Attachment Shield*.



WARNING: To avoid serious personal injury, the cutting head guard **MUST** be in place at all times while operating the unit as a trimmer.

OIL AND FUEL INFORMATION

OIL AND FUEL MIXING INSTRUCTIONS

Old and/or improperly mixed fuel are the main reasons for the unit not running properly. Be sure to use fresh, clean unleaded fuel. Follow the instructions carefully for the proper fuel/oil mixture.

Definition of Blended Fuels

Today's fuels are often a blend of gasoline and oxygenates such as ethanol, methanol, or MTBE (ether). Alcohol-blended fuel absorbs water. As little as 1% water in the fuel can make fuel and oil separate. It forms acids when stored. When using alcohol-blended fuel, use fresh fuel (less than 60 days old).

Using Blended Fuels


If you choose to use a blended fuel, or its use is unavoidable, follow recommended precautions:

- Always use the fresh fuel mix explained in your operator's manual
- Always agitate the fuel mix before fueling the unit
- Drain the tank and run the engine dry before storing the unit

Using Fuel Additives



The bottle of 2-cycle oil that came with your unit contains a fuel additive which will help inhibit corrosion and minimize the formation of gum deposits. It is recommended that you use our 2-cycle oil with this unit.


If unavailable, use a good 2-cycle oil designed for air-cooled engines along with a fuel additive, such as STA-BIL® Gas Stabilizer or an equivalent. Add 0.8 oz. (23 ml.) of fuel additive per gallon of fuel according to the instructions on the container. NEVER add fuel additives directly to the unit's fuel tank.


	CAUTION: For proper engine operation and maximum reliability, pay strict attention to the oil and fuel mixing instructions on the 2-cycle oil container. Using improperly mixed fuel can severely damage the engine.
-------------------------------------------------------------------------------------	-----------------------------------------------------------------------------------------------------------------------------------------------------------------------------------------------------------------------------


Thoroughly mix the proper ratio of 2-cycle engine oil with unleaded gasoline in a separate fuel can. Use a 40:1 fuel/oil ratio. Do not mix them directly in the engine fuel tank. See the table below for specific gas and oil mixing ratios.

NOTE: One gallon (3.8 liters) of unleaded gasoline mixed with one 3.2 oz. (95 ml.) bottle of 2-cycle oil makes a 40:1 fuel/oil ratio.

	+	
UNLEADED GAS		2 CYCLE OIL
1 US. GALLON + 3.2 FL. OZ.		
(3.8 LITERS) (95 ml)		
1 LITER + 25 ml		
MIXING RATIO - 40:1		

	WARNING: Gasoline is extremely flammable. Ignited Vapors may explode. Always stop the engine and allow it to cool before filling the fuel tank. Do not smoke while filling the tank. Keep sparks and open flames at a distance from the area.
-------------------------------------------------------------------------------------	------------------------------------------------------------------------------------------------------------------------------------------------------------------------------------------------------------------------------------------------------

	WARNING: Remove fuel cap slowly to avoid injury from fuel spray. Never operate the unit without the fuel cap securely in place.
-------------------------------------------------------------------------------------	----------------------------------------------------------------------------------------------------------------------------------------

	WARNING: Add fuel in a clean, well ventilated area outdoors. Wipe up any spilled fuel immediately. Avoid creating a source of ignition for spilt fuel. Do not start the engine until fuel vapors dissipate.
-------------------------------------------------------------------------------------	--------------------------------------------------------------------------------------------------------------------------------------------------------------------------------------------------------------------

NOTE: Dispose of the old fuel/oil mix in accordance to Federal, State and Local regulations.

STARTING/STOPPING INSTRUCTIONS

STARTING INSTRUCTIONS



WARNING: Operate this unit only in a well-ventilated outdoor area. Carbon monoxide exhaust fumes can be lethal in a confined area.



WARNING: Avoid accidental starting. Make sure you are in the starting position when pulling the starter rope (Fig. 18). To avoid serious injury, the operator and unit must be in a stable position while starting.

1. Mix gas with oil. Fill fuel tank with fuel/oil mixture. Refer to *Oil and Fuel Mixing Instructions*.
2. Make sure the On/Off Stop Control is in the **ON (I)** position (Fig. 16).
3. Fully press and release the primer bulb 10 times, slowly, until **FUEL IS VISIBLE IN THE PRIMER BULB** (Fig. 17). If you can't see fuel in the bulb, press and release the bulb as many times as it takes before you can see fuel in it.
4. Push the EZ-Start™ Lever to the left until it clicks and locks into place (Fig. 17).
5. While the unit is in the starting position (Fig. 18), **DO NOT SQUEEZE THE THROTTLE CONTROL**. Pull the starter rope briskly 5 times, making sure the EZ-Start™ lever is pushed to the left. If the engine starts to run before the fifth pull, proceed to step 6. If the engine does not start, go back to step 3.

NOTE: When starting, the EZ-Start™ Lever will automatically click off when you squeeze the throttle control.

NOTE: If the outside temperature or engine temperature exceeds 90° F and the engine fails to start after 5 pulls, fully squeeze the throttle control and pull the starter rope briskly 3 to 8 more times. The engine should start within these pulls.

6. Squeeze the throttle control for 5 to 10 seconds in order to warm up the engine. The EZ-Start™ Lever will click off automatically (Fig. 17).

NOTE: if the engine stalls *before* you squeeze the throttle control, hold the throttle control and pull the starter rope until the trimmer starts.

NOTE: If the engine stalls *while* squeezing the throttle, go back to step 4.

NOTE: To start a warm engine, begin at step 4.

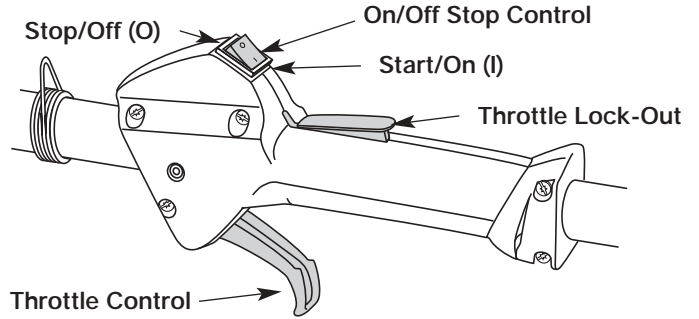


Fig. 16

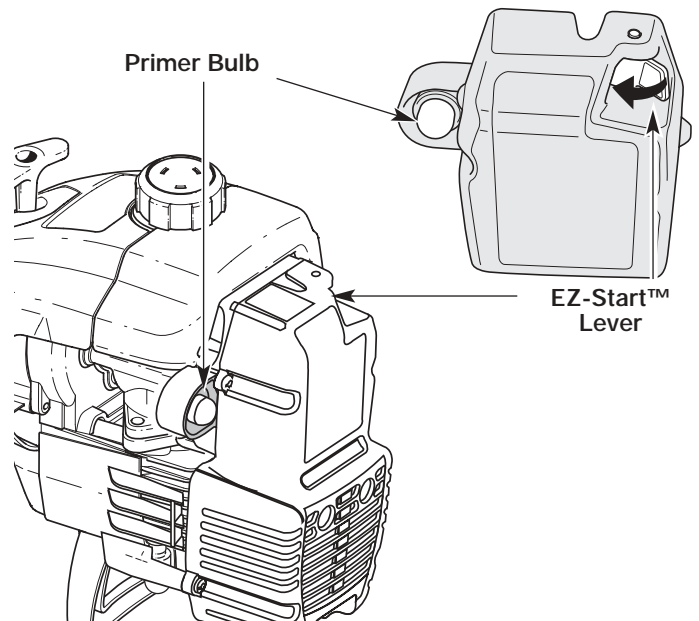


Fig. 17

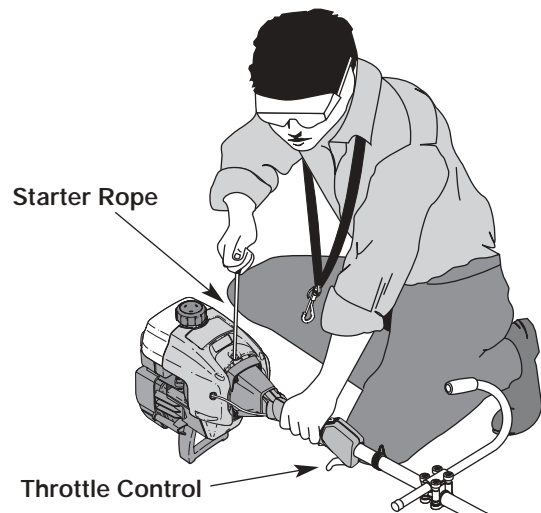


Fig. 18

STOPPING INSTRUCTIONS

1. Release your hand from the throttle control (Fig. 18). Allow the engine to cool down by idling.
2. Put the On/Off Stop Control in the **OFF (O)** position (Fig. 16).

OPERATING INSTRUCTIONS

HOLDING THE TRIMMER



WARNING: Always wear eye, hearing, foot and body protection to reduce the risk of injury when operating this unit.

Before operating the unit, stand in the operating position (Fig. 19). Check for the following:

- The operator is wearing eye protection and proper clothing
- With a slightly-bent right arm, the operator's right hand is holding the shaft grip
- The operator's left arm is straight, the left hand holding the J-handle
- The unit is at waist level
- The cutting attachment is parallel to the ground and easily contacts the grass without the need to bend over

Once you are in the operating position, hook the shoulder strap to the unit.



Fig. 19

ADJUSTING TRIMMING LINE LENGTH

The Bump Head™ cutting attachment allows you to release trimming line without stopping the engine. To release more line, lightly tap the cutting attachment on the ground (Fig. 20) while operating the trimmer at high speed.

NOTE: Always keep the trimming line fully extended. Line release becomes more difficult as the cutting line becomes shorter.

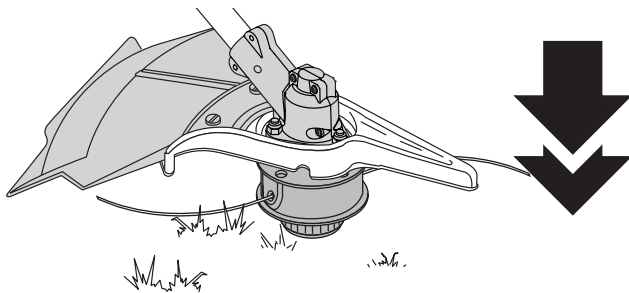


Fig. 20

Each time the head is bumped, about 1 inch (25.4 mm) of trimming line is released. A blade in the cutting attachment shield will cut the line to the proper length if excess line is released.

For best results, tap the Bump Head™ on bare ground or hard soil. If line release is attempted in tall grass, the engine may stall. Always keep the trimming line fully extended. Line release becomes more difficult as the cutting line becomes shorter.

NOTE: Do not rest the Bump Head™ on the ground while the unit is running.



CAUTION: Do not remove or alter the line cutting blade assembly. Excessive line length will make the clutch overheat. This may lead to serious personal injury or damage to the unit.

Some line breakage will occur from:

- Entanglement with foreign matter
- Normal line fatigue
- Attempting to cut thick, stalky weeds
- Forcing the line into objects such as walls or fence posts

TIPS FOR BEST TRIMMING RESULTS

- For best trimming results, operate unit at full throttle.
- Keep the cutting attachment parallel to the ground.
- Do not force the cutting attachment. Allow the tip of the line to do the cutting, especially along walls. Cutting with more than the tip will reduce cutting efficiency and may overload the engine.
- Cut grass over 8 inches (200 mm) by working from top to bottom in small increments to avoid premature line wear or engine drag.
- Cut from left to right whenever possible. Cutting to the right improves the unit's cutting efficiency. Clippings are thrown away from the operator.
- Slowly move the trimmer into and out of the cutting area at the desired height. Move either in a forward-backward or side-to-side motion. Cutting shorter lengths produces the best results.
- Trim only when grass and weeds are dry.
- The life of your cutting line is dependent upon:
 - Following the previously-explained trimming techniques
 - What vegetation is cut
 - Where vegetation is cut

For example, the line will wear faster when trimming against a foundation wall as opposed to trimming around a tree.

OPERATING INSTRUCTIONS

DECORATIVE TRIMMING

Decorative trimming is accomplished by removing all vegetation around trees, posts, fences and more.

Rotate the whole unit so that the cutting attachment is at a 30° angle to the ground (Fig. 21).

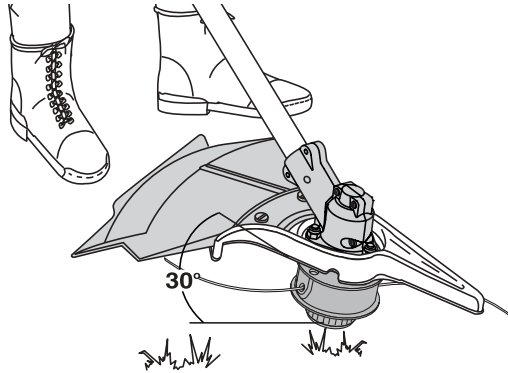


Fig. 21

USING THE CUTTING BLADE



WARNING: Always wear eye, hearing, foot, body protection and the shoulder strap to reduce the risk of injury when operating this unit.



WARNING: Do not use the cutting blade for edging or as an edger. Severe personal injury to yourself or others can result.

Before operating the unit with the cutting blade, stand in the operating position (Fig. 22). Refer to *Holding the Trimmer*.

Cutting Blade Operating Tips

To establish a rhythmic cutting procedure:

- Plant feet firmly, comfortably apart.
- Bring the engine to full throttle before entering the material to be cut. At full throttle the blade has maximum cutting power and is less likely to bind, stall or cause blade thrust (which can result in serious personal injury to the operator or others).



WARNING: Blade thrust may occur when the spinning blade contacts an object that it does not immediately cut. Blade thrust can be violent enough to cause the unit and/or operator to be propelled in any direction, and possibly lose control of the unit. Blade thrust can occur without warning if the blade snags, stalls or binds. This is more likely to occur in areas where it is difficult to see the material being cut.

- Cut while swinging the upper part of your body from left to right.
- Always release the throttle trigger and allow the engine to return to idle speed when not cutting.
- When you are finished, always unsnap the unit from the harness before taking off the harness.



WARNING: The blade continues to spin after the engine is turned off. The coasting blade can seriously cut you if accidentally touched.

- Swing the unit in the opposite direction that the blade spins, which increases the cutting action.
- After the return swing, move forward to the next area to be cut plant your feet again.
- The cutting blade is designed with a second cutting edge. You can use it by removing the blade, turning it upside down, and reinstalling it.



WARNING: Do not sharpen the cutting blade. Sharpening the blade can cause the blade tip to break off while in use. This can result in severe personal injury to yourself or others. Replace the blade.

To reduce the chance of material wrapping around the blade, follow these steps:

- Cut at full throttle
- Swing the unit into material to be cut from your left to your right (Fig. 23)
- Avoid the material just cut as you make the return swing



WARNING: Do not clear away any cut material with the engine running or blade turning. To avoid serious personal injury, turn off the engine. Allow the blade to stop before removing materials wrapped around the blade shaft.



Fig. 22

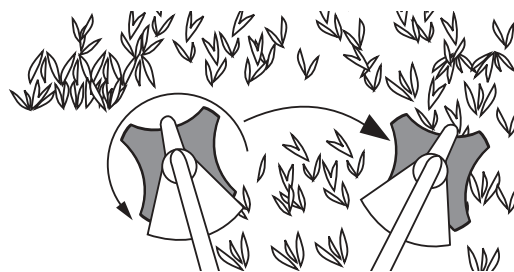


Fig. 23

MAINTENANCE AND REPAIR INSTRUCTIONS

MAINTENANCE SCHEDULE

Perform these required maintenance procedures at the frequency stated in the table. These procedures should also be a part of any seasonal tune-up.

NOTE: Some maintenance procedures may require special tools or skills. If you are unsure about these procedures take your unit to any non-road engine repair establishment, individual or authorized service dealer.



WARNING: To prevent serious injury, never perform maintenance or repairs with unit running. Always service and repair a cool unit. Disconnect the spark plug wire to ensure that the unit cannot start.

NOTE: Maintenance, replacement, or repair of the emission control devices and system may be performed by any non-road engine repair establishment, individual or authorized service dealer.

In order to assure peak performance of your engine, inspection of the engine exhaust port may be necessary after 50 hours of operation. If you notice lost RPM, poor performance or general lack of acceleration, this service may be required. If you feel your engine is in need of this inspection, refer service to any non-road engine repair establishment, individual or authorized service dealer for repair. **DO NOT** attempt to perform this process yourself as engine damage may result from contaminants involved in the cleaning process for the port.

FREQUENCY	MAINTENANCE REQUIRED	REFER TO
Before starting engine	Fill fuel tank with fresh fuel	Page 11
Every 10 hours	Clean and re-oil air filter	Page 17
Every 25 hours	Check and clean spark arrestor Check spark plug condition and gap	Page 18 Page 19
Every 50 hours	Inspect exhaust port and spark arrestor screen for clogging or obstruction to assure maximum performance levels	Page 18

LINE INSTALLATION

This section covers both SplitLine™ and standard single line installation.

Always use Genuine Factory Parts™ 0.095 in. (2.41 mm) replacement line. Line other than the specified may make the engine overheat or fail.



WARNING: Never use metal-reinforced line, wire, chain or rope. These can break off and become dangerous projectiles.

There are two methods to replace the trimming line:

- Wind the inner reel with new line
- Install a prewound inner reel

Winding the Existing Inner Reel

1. Hold the outer spool with one hand and unscrew the Bump Knob clockwise (Fig. 24). Inspect the bolt inside the bump knob to make sure it moves freely. Replace the bump knob if damaged.

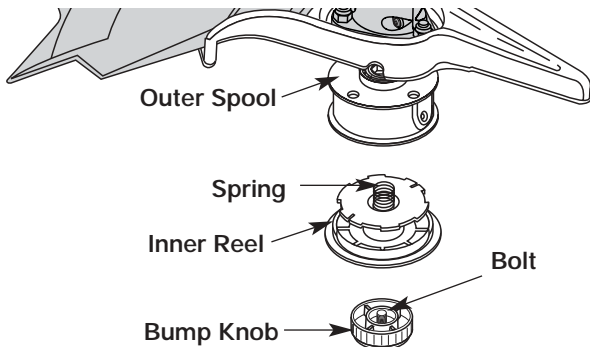


Fig. 24

2. Remove the inner reel from the outer spool (Fig. 24).
3. Remove spring from the inner reel (Fig. 24).
4. Use a clean cloth to clean the the inner reel, spring, shaft and inner surface of the outer spool (Fig. 25).
5. Check the indexing teeth on the inner reel and outer spool for wear (Fig. 26). If necessary, remove burrs or replace the reel and spool.

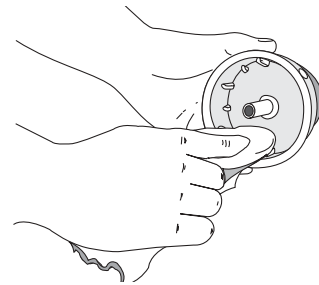


Fig. 25

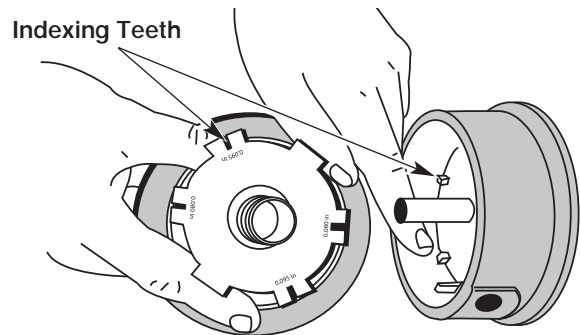
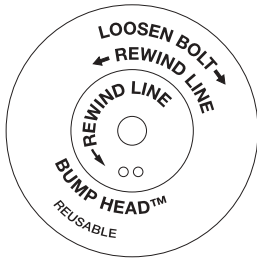


Fig. 26

MAINTENANCE AND REPAIR INSTRUCTIONS

For Use with Single Line ONLY



For Use with SplitLine™ or Single Line

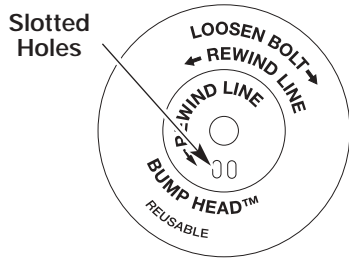


Fig. 27

NOTE: SplitLine™ can only be used with the inner reel with the slotted holes. Single line can be used on either type of inner reel. Use Figure 27 to identify the inner reel you have.

NOTE: Always use the correct line length when installing trimming line on the unit. The line may not release properly if the line is too long.

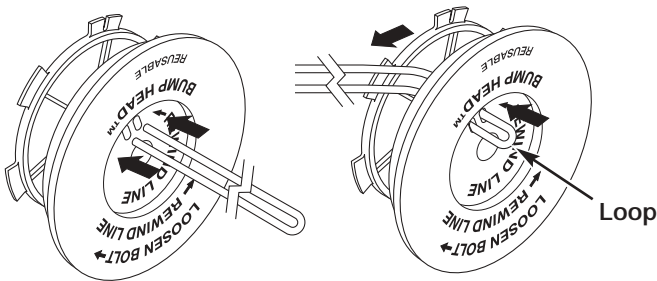


Fig. 28

Single Line Installation

Go To Step 8 for SplitLine™ Installation

- Take approximately 40 feet (12.2 m) of new trimming line, loop it into two equal lengths. Insert each end of the line through one of the two holes in the inner reel (Fig. 28). Pull the line through the inner reel so that the loop is as small as possible.
- Wind the lines in tight even layers, onto the reel (Fig. 29). Wind the line in the direction indicated on the inner reel. Place your index finger between the two lines to stop the lines from overlapping. Do not overlap the ends of the line. Proceed to step 11.

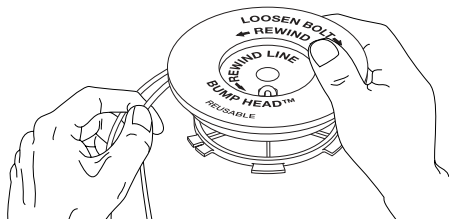


Fig. 29

SplitLine™ Installation

- Take approximately 20 feet (6.1 m) of new trimming line. Insert one end of the line through one of the two holes in the inner reel (Fig. 30). Pull the line through the inner reel until only about 4 inches is left out.

- Insert the end of the line into the open hole in the inner reel and pull the line tight to make the loop as small as possible (Fig. 30).
- Before winding, split the line back about 6 inches.
- Wind the line in tight even layers in the direction indicated on the inner reel.

NOTE: Failure to wind the line in the direction indicated will cause the cutting attachment to operate incorrectly.

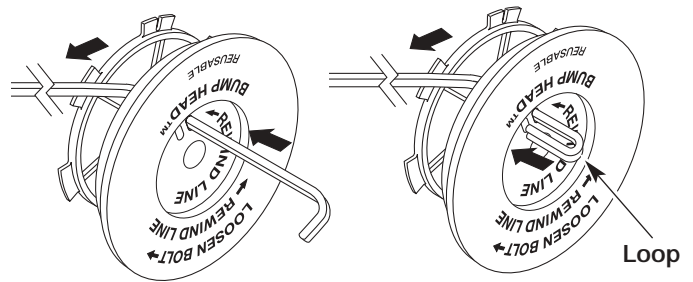


Fig. 30

- Insert the ends of the line into the two holding slots (Fig. 31).

- Insert the ends of the line through the eyelets in the outer spool and place inner reel with spring inside the outer spool (Fig. 32). Push the inner reel and outer spool together. While holding the inner reel and outer spool, grasp the ends and pull firmly to release the line from the holding slots in the reel.

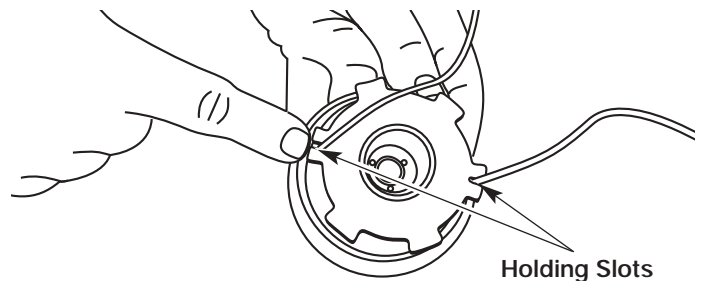


Fig. 31

NOTE: The spring must be assembled on the inner reel before reassembling the cutting attachment.

- Hold the inner reel in place and install the bump knob by turning counterclockwise. Tighten securely.

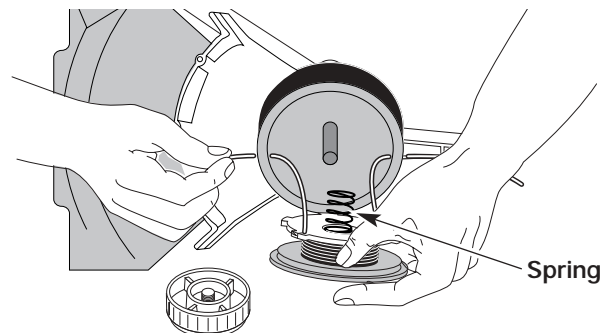


Fig. 32

MAINTENANCE AND REPAIR INSTRUCTIONS

INSTALLING A PREWOUND REEL

1. Hold the outer spool with one hand and unscrew the bump knob clockwise (Fig. 24). Inspect the bolt inside the bump knob to make sure it moves freely. Replace the bump knob if damaged.
2. Remove the old inner reel from the outer spool (Fig. 24).
3. Remove the spring from the old inner reel (Fig. 24).
4. Place the spring in the new inner reel.

NOTE: The spring must be assembled on the inner reel before reassembling the cutting attachment.

5. Insert the ends of the line through the eyelets in the outer spool (Fig. 32).
6. Place the new inner reel inside the outer spool. Push the inner reel and outer spool together. While holding the inner reel and outer spool, grasp the ends and pull firmly to release the line from the holding slots in the spool.
7. Hold the inner reel in place and install the bump knob by turning counterclockwise. Tighten securely.

Replacement Parts

See *Accessories / Replacement Parts*.

AIR FILTER MAINTENANCE

Removing the Air Filter/Muffler Cover



WARNING: To avoid serious personal injury, always turn your trimmer off and allow it to cool before you clean or service it.

1. Remove the four (4) screws securing the air filter/muffler cover (Fig. 33). Use a flat blade or T-20 Torx bit screwdriver.
2. Pull the cover from the engine. Do not force.

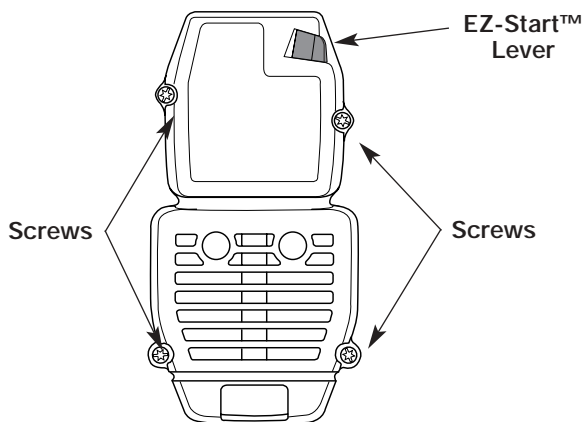


Fig. 33

Cleaning the Air Filter

Clean and re-oil the air filter every 10 hours of operation. It is an important item to maintain. Failure to maintain the air filter will VOID the warranty.

1. Remove air filter/muffler cover. Refer to *Removing the Air Filter/Muffler Cover*.
2. Turn cover over and look inside to locate the air filter. Remove the air filter from inside the air filter/muffler cover (Fig. 34).
3. Wash the filter in detergent and water (Fig. 35). Rinse the filter thoroughly. Squeeze out excess water. Allow it to dry completely.
4. Apply enough clean SAE 30 oil to lightly coat the filter (Fig. 36).
5. Squeeze the filter to spread and remove excess oil (Fig. 37).

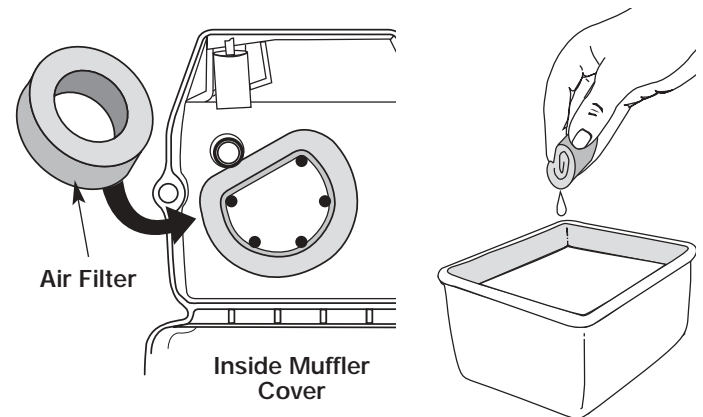


Fig. 34

Fig. 35

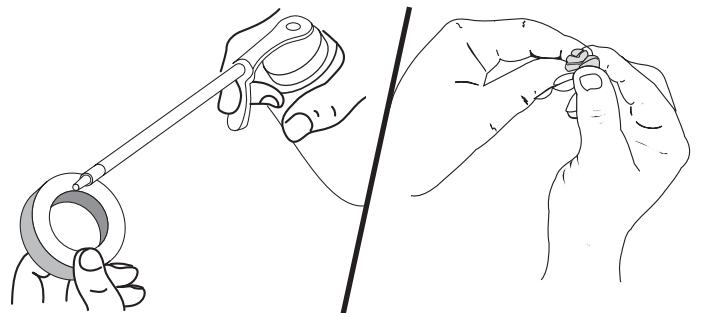


Fig. 36

Fig. 37

6. Replace the air filter inside the air filter/muffler cover (Fig. 34).

NOTE: Operating the unit without the air filter and air filter/muffler cover assembly will VOID the warranty.

MAINTENANCE AND REPAIR INSTRUCTIONS

Reinstalling the Air Filter/Muffler Cover

1. Place the air filter/muffler cover over the back of the carburetor and muffler. Align the screw holes.
2. Insert the four (4) screws into the holes in the air filter/muffler cover (Fig. 33) and tighten.
Do not over tighten.

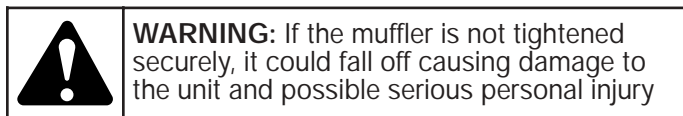
SPARK ARRESTOR MAINTENANCE

1. Remove air filter/muffler cover. Refer to *Removing the Air Filter/Muffler Cover*.
2. Locate muffler front and the two (2) bolts securing it to the engine (Fig. 38). Remove the two (2) bolts using a flatblade screwdriver or 5/16-inch socket or nut driver. Pull muffler off of the engine.
3. Turn muffler over to the back side and locate the exhaust gasket. Remove the muffler gasket from the muffler (Fig. 38).

NOTE: If the exhaust gasket is torn or damaged, replace it with a new gasket before reassembling muffler.

4. Using a small flatblade screwdriver, carefully pry up the spark arrestor from the recessed hole (Fig. 39). Remove the spark arrestor from the muffler.
5. Clean the spark arrestor with a wire brush. Replace it if it is damaged or if it is impossible to clean thoroughly (Fig. 39).
6. Reinstall the spark arrestor by pressing it into the recessed hole on the muffler's back side. Make sure it fits tightly against the muffler and is not raised up.
7. Place the exhaust gasket against muffler's back side. Align the gasket bolt holes with the bolt holes in the muffler. While holding exhaust gasket in place, insert the bolts into the muffler's front side (Fig. 38).
8. Place the muffler (with the exhaust gasket in place and bolts inserted), against the engine, aligning the bolt holes. Tighten the bolts to secure the muffler to the engine.

If using a torque wrench, torque to:
80-90 in.·lb. (9-10.2 N·m)



9. Reinstall the air filter/muffler cover.

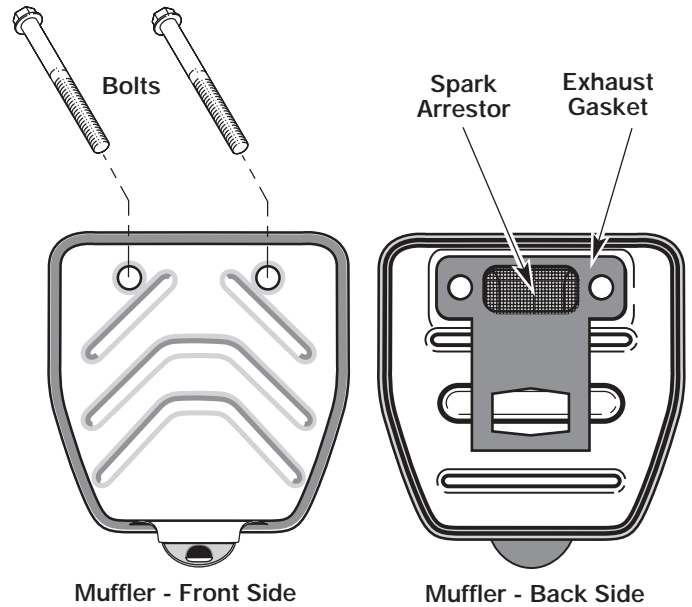


Fig. 38

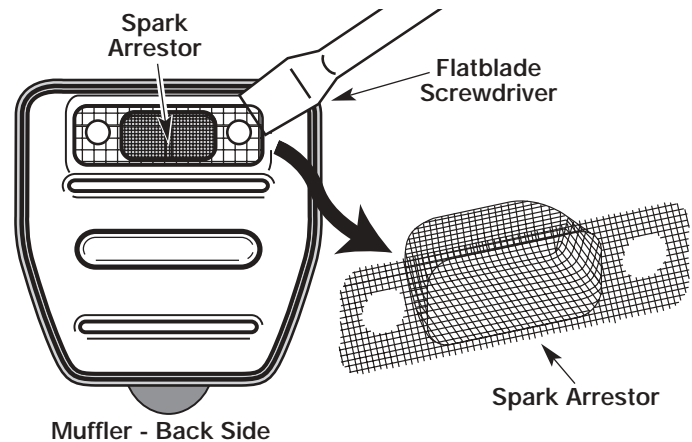


Fig. 39

MAINTENANCE AND REPAIR INSTRUCTIONS

CARBURETOR ADJUSTMENT

The idle speed of the engine is adjustable through the air filter/muffler cover (Fig. 40).

NOTE: Careless adjustments can seriously damage your unit. An authorized service dealer should make carburetor adjustments.

Check Fuel Mixture

Old and/or improperly mixed fuel is usually the reason for improper unit performance. Drain and refill the tank with fresh, properly-mixed fuel prior to making any adjustments. Refer to *Oil and Fuel Information*.

Clean Air Filter

The condition of the air filter is important to the operation of the unit. A dirty air filter will restrict air flow and change the air/fuel mixture. This is often mistaken for an out of adjustment carburetor. Check the condition of the air filter before adjusting the idle speed screw. Refer to *Air Filter Maintenance*.

Adjust Idle Speed Screw

If, after checking the fuel mixture and cleaning the air filter, the engine still will not idle, adjust the idle speed screw as follows:

1. Start the engine and let it run at a high idle for a minute to warm up. Refer to *Starting/Stopping Instructions*.



WARNING: The cutting attachment may be spinning during idle speed adjustments. Wear protective clothing and observe all safety instructions to prevent serious personal injury.

2. Release the throttle trigger and let the engine idle. If the engine stops, insert a small phillips or flat blade screwdriver into the hole in the air filter/muffler cover (Fig. 40). Turn the idle speed screw in, **clockwise**, 1/8 of a turn at a time (as needed) until the engine idles smoothly.

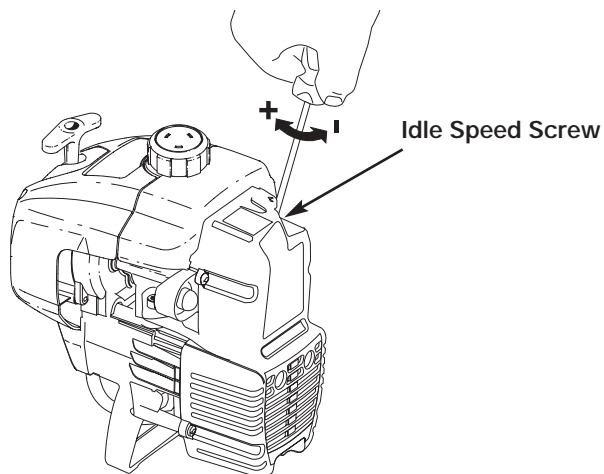


Fig. 40

NOTE: The cutting attachment should not rotate when the engine idles.

3. If the cutting attachment rotates when the engine idles, turn the idle speed screw **counterclockwise** 1/8 of a turn at a time (as needed), to reduce idle speed.

Checking the fuel mixture, cleaning the air filter, and adjusting the idle speed should solve most engine problems. If not and:

- the engine will not idle
- the engine hesitates or stalls on acceleration
- there is a loss of engine power

Have the carburetor adjusted by an authorized service dealer.



WARNING: To prevent serious personal injury, make sure the cutting attachment has stopped rotating before you turn it off and set it down.

REPLACING THE SPARK PLUG

Use a Champion RDJ7Y spark plug, or equivalent. The correct air gap is **0.020 inch (0.5 mm)**. Remove the plug after every 25 hours of operation and check its condition.

1. Stop the engine and allow it to cool. Grasp the plug wire firmly and pull it from the spark plug.
2. Clean around the spark plug. Remove the spark plug from the cylinder head by turning a 5/8-inch socket counterclockwise.
3. Replace a cracked, fouled or dirty spark plug. Set the air gap at **0.020 in. (0.5 mm)** using a feeler gauge (Fig. 41).



CAUTION: Do not sand blast, scrape or clean electrodes. Grit in the engine could damage the cylinder.

4. Install a correctly-gapped spark plug in the cylinder head. Tighten by turning the 5/8-inch socket clockwise until snug.

If using a torque wrench torque to:

110-120 in. •lb. (12.3-13.5 N•m)

Do not over tighten.

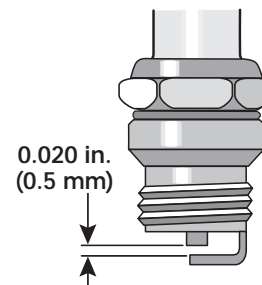


Fig. 41

MAINTENANCE AND REPAIR INSTRUCTIONS

CLEANING



WARNING: To avoid serious personal injury, always turn your trimmer off and allow it to cool before you clean or service it.

Use a small brush to clean off the outside of the unit. Do not use strong detergents. Household cleaners that contain aromatic oils such as pine and lemon, and solvents such as kerosene, can damage plastic housing or handle. Wipe off any moisture with a soft cloth.

STORAGE

- Never store a fueled unit where fumes may reach an open flame or spark.
- Allow the engine to cool before storing.
- Store the unit locked up to prevent unauthorized use or damage.
- Store the unit in a dry, well-ventilated area.
- Store the unit out of the reach of children.

LONG TERM STORAGE

If you plan on storing the unit for an extended time, use the following storage procedure:

1. Drain all fuel from the fuel tank into a container with the same 2-cycle fuel mixture. Do not use fuel that has been stored for more than 60 days. Dispose of the old fuel/oil mix in accordance to Federal, State and Local regulations.
2. Start the engine and allow it to run until it stalls. This ensures that all fuel has been drained from the carburetor.
3. Allow the engine to cool. Remove the spark plug and put 1 oz. (30 ml) of any high quality motor oil or 2-cycle oil into the cylinder. Pull the starter rope slowly to distribute the oil. Reinstall the spark plug.

NOTE: Remove the spark plug and drain all of the oil from the cylinder before attempting to start the trimmer after storage.

4. Thoroughly clean the unit and inspect it for any loose or damaged parts. Repair or replace damaged parts and tighten loose screws, nuts or bolts. The unit is ready for storage.

TRANSPORTING

- Allow the engine to cool before transporting.
- Drain fuel from unit.
- Tighten fuel cap before transporting.
- Secure the unit while transporting.

ACCESSORIES/REPLACEMENT PARTS

2-Cycle Oil	147543
Spark Plug	610311
Spark Arrestor	182747
Replacement Line	180120
Replacement Line Cartridge	147345
Inner Reel Spring	610636
Outer Spool	683301
Inner Reel	147495
Bump Knob	180814
Fuel Cap	180000
Shoulder Strap	682075

For specific replacement parts, refer to the parts list located on the inside back cover of this manual.

TROUBLESHOOTING

ENGINE WILL NOT START

CAUSE

Empty fuel tank
Primer bulb wasn't pressed enough
Engine is flooded
Old or improperly mixed fuel
Fouled spark plug
Plugged spark arrestor
EZ-Start lever was not set

ACTION

Fill fuel tank with properly mixed fuel
Press primer bulb fully and slowly 10 times
Squeeze the trigger and pull the starter rope
Drain gas tank and add fresh fuel mixture
Replace or clean the spark plug
Clean or replace spark arrestor
Move lever to start

ENGINE WILL NOT IDLE

CAUSE

Air filter is plugged
Old or improperly mixed fuel
Improper carburetor adjustment

ACTION

Replace or clean the air filter
Drain gas tank and add fresh fuel mixture
Adjust according to the *Carburetor Adjustments* section

ENGINE WILL NOT ACCELERATE

CAUSE

Old or improperly mixed fuel
Improper carburetor adjustment
Cutting attachment bound with grass
Dirty air filter
Plugged spark arrestor

ACTION

Drain gas tank and add fresh fuel mixture
Take to an authorized service dealer for an adjustment
Stop the engine and clean the cutting attachment
Clean or replace the air filter
Clean or replace spark arrestor

ENGINE LACKS POWER OR STALLS WHEN CUTTING

CAUSE

Old or improperly mixed fuel
Improper carburetor adjustment
Fouled spark plug
Plugged spark arrestor

ACTION

Drain gas tank and add fresh fuel mixture
Take to an authorized service dealer for an adjustment
Replace or clean the spark plug
Clean or replace spark arrestor

CUTTING ATTACHMENT WILL NOT ADVANCE LINE

CAUSE

Cutting attachment bound with grass
Cutting attachment out of line
Inner reel bound up
Cutting head dirty
Line welded
Line twisted when refilled
Not enough line is exposed

ACTION

Stop the engine and clean cutting attachment
Refill with new line
Replace the inner reel
Clean inner reel and outer spool
Disassemble, remove the welded section and rewind
Disassemble and rewind the line
Push the bump knob and pull out line until 4 inches (102 mm) of line is outside of the cutting attachment

CUTTING LINE ADVANCES UNCONTROLLABLY

CAUSE

Oil, cleaner or lubricant in cutting head

ACTION

Clean and thoroughly dry the cutting head

If further assistance is required, contact your authorized service dealer.

SPECIFICATIONS

ENGINE*

Engine Type.....	Air-Cooled, 2-Cycle
Stroke.....	1.25 in. (31.75 mm)
Displacement.....	1.9 cu in. (31 cc)
Clutch Type.....	Centrifugal
Idle Speed RPM.....	2,800 - 4,000 rpm
Operating RPM.....	7,200+ rpm
Ignition Type.....	Electronic
Ignition Switch.....	Rocker Switch
Spark Plug Gap.....	0.020 in. (0.5 mm)
Lubrication.....	Fuel/Oil Mixture
Fuel/Oil Ratio.....	40:1
Carburetor.....	Diaphragm, All-Position
Starter.....	Auto Rewind
Muffler.....	Baffled with Guard
Throttle.....	Manual Spring Return
Fuel Tank Capacity.....	12 oz. (355 ml)

DRIVE SHAFT and CUTTING ATTACHMENT*

Drive Shaft Housing.....	Steel Tube
Throttle Control.....	Finger-Tip Trigger with Lock-Out
Approximate Unit Weight (No fuel, with cutting attachment, shield and J-handle).....	14.75 lbs. (6.69 kg)
Cutting Mechanism.....	4-Tooth Cutting Blade, Dual String Cutting Head
Line Spool.....	Bump Line Releaser
Line Spool Diameter.....	4 inches (101.6 mm)
Trimming Line Diameter.....	0.095 inch (2.41 mm)
Cutting Path Diameter, Cutting Attachment.....	18 inches (45.7 cm)
Cutting Path Diameter, Cutting Blade.....	8 inches (204 mm)
Shoulder Harness.....	Single Quick-Snap

*All specifications are based on the latest product information available at the time of printing. We reserve the right to make changes at any time without notice.

EPA Emission Control Warranty Statement

Your Warranty Rights and Obligations

The Environmental Protection Agency and MTD LLC (MTD) are pleased to explain the emission control system warranty on your 2002 and later small off-road engine. New small off-road engines must be designed, built and equipped to meet stringent anti-smog standards. Ryobi must warrant the emission control system on your small off-road engine for the periods of time listed below provided there has been no abuse, neglect or improper maintenance of your small off-road engine.

Your emission control system may include parts such as the carburetor or fuel-injected system, the ignition system, and catalytic converter. Also included may be hoses, belts, connectors and other emission-related assemblies.

Where a warrantable condition exists, Ryobi will repair your small off-road engine at no cost to you including diagnosis, parts and labor.

The 2002 and later small off-road engines are warranted for two years. If any emission-related part on your engine is defective, the part will be repaired or replaced by Ryobi.

Owners Warranty Responsibilities

- As the small off-road engine owner, you are responsible for the performance of the required maintenance listed in your operator's manual. Ryobi recommends that you retain all receipts covering maintenance on your small off-road engine, but Ryobi cannot deny warranty solely for the lack of receipts or for your failure to ensure the performance of all scheduled maintenance.
- As the small off-road engine owner, you however should be aware that Ryobi may deny you warranty coverage if your small off-road engine or a part has failed due to abuse, neglect, improper maintenance or unapproved modifications.
- You are responsible for presenting your small off-road engine to a Ryobi Authorized Service Center as soon as a problem exists. The warranty repairs should be completed in a reasonable amount of time, not to exceed 30 days.

If you have any questions regarding your warranty rights and responsibilities, you should call 1-800-345-8746.

Manufacturer's Warranty Coverage

- The warranty period begins on the date the engine or equipment is delivered to the retail purchaser.
- The manufacturer warrants to the initial owner and each subsequent purchaser, that the engine is free from defects in material and workmanship which cause the failure of a warranted part for a period of two years.
- Repair or replacement of warranted part will be performed at no charge to the owner at an Authorized Ryobi Service Center. For the nearest location please contact Ryobi at: 1-800-345-8746.
- Any warranted part which is not scheduled for replacement, as required maintenance or which is scheduled for only for regular inspection to the effect of "Repair or Replace as Necessary" is warranted for the warranty period. Any warranted part which is scheduled for replacement as required maintenance will be warranted for the period of time up to the first scheduled replacement point for that part.
- The owner will not be charged for diagnostic labor which leads to the determination that a warranted part is defective, if the diagnostic work is performed at an Authorized Ryobi Service Center.
- The manufacturer is liable for damages to other engine components caused by the failure of a warranted part still under warranty.
- Failures caused by abuse, neglect or improper maintenance are not covered under warranty.
- The use of add-on or modified parts can be grounds for disallowing a warranty claim. The manufacturer is not liable to cover failures of warranted parts caused by the use of add-on or modified parts.
- In order to file a claim, go to your nearest Authorized Ryobi Service Center. Warranty services or repairs will be provided at all Authorized Ryobi Service Centers.
- Any manufacturer approved replacement part may be used in the performance of any warranty maintenance or repair of emission related parts and will be provided without charge to the owner. Any replacement part that is equivalent in performance or durability may be used in non-warranty maintenance or repair and will not reduce the warranty obligations of the manufacturer
- The following components are included in the emission related warranty of the engine, air filter, carburetor, primer, fuel lines, fuel pick up/ fuel filter, ignition module, spark plug and muffler.

MANUFACTURER'S LIMITED WARRANTY FOR:

RYOBI®

The limited warranty set forth below is given by MTD LLC ("MTD") with respect with new merchandise purchased and used in the United States, its possessions and territories.

MTD warrants this product against defects in material and workmanship for a period of two (2) years commencing on the date of original purchase and will, at its option, repair or replace, free of charge, any part found to be defective in material or workmanship. This limited warranty shall only apply if this product has been operated and maintained in accordance with the Operator's Manual furnished with the product, and has not been subject to misuse, abuse, commercial use, neglect, accident, improper maintenance, alteration, vandalism, theft, fire, water or damage because of other peril or natural disaster. Damage resulting from the installation or use of any accessory or attachment not approved by MTD for use with the product(s) covered by this manual will void your warranty as to any resulting damage.

This warranty is limited to ninety (90) days from the date of original retail purchase for any MTD product that is used for rental or commercial purposes, or any other income-producing purpose.

HOW TO OBTAIN SERVICE: Warranty service is available, WITH PROOF OF PURCHASE THROUGH YOUR LOCAL AUTHORIZED SERVICE DEALER. To locate the dealer in your area, please check for a listing in the Yellow Pages or contact the Customer Service Department of MTD LLC by calling 1-800-345-8746 or writing to P.O. Box 361131, Cleveland OH 44136-0019 or if in Canada call 1-800-668-1238. No product returned directly to the factory will be accepted unless prior written permission has been extended by the Customer Service Department of MTD LLC.

This limited warranty does not provide coverage in the following cases:

- A. Tune-ups - Spark Plugs, Carburetor Adjustments, Filters
- B. Wear items - Bump Knobs, Outer Spools, Cutting Line, Inner Reels, Starter Pulley, Starter Ropes, Drive Belts
- C. MTD does not extend any warranty for products sold or exported outside of the United States of America, its possessions and territories, except those sold through MTD's authorized channels of export distribution.

MTD reserves the right to change or improve the design of any RYOBI Product without assuming any obligation to modify any product previously manufactured.

No implied warranty, including any implied warranty of merchantability or fitness for a particular purpose, applies after the applicable period of express written warranty above as to the parts as identified. No other express warranty or guaranty, whether written or oral, except as mentioned above, given by any person or entity, including a dealer or retailer, with respect to any product shall bind MTD. During the period of the Warranty, the exclusive remedy is repair or replacement of the product as set forth above. (Some states do not allow limitations on how long an implied warranty lasts, so the above limitation may not apply to you.)

The provisions as set forth in this Warranty provide the sole and exclusive remedy arising from the sales. MTD shall not be liable for incidental or consequential loss or damages including, without limitation, expenses incurred for substitute or replacement lawn care services, for transportation or for related expenses, or for rental expenses to temporarily replace a warranted product. (Some states do not allow limitations on how long an implied warranty lasts, so the above limitation may not apply to you.)

In no event shall recovery of any kind be greater than the amount of the purchase price of the product sold. Alteration of the safety features of the product shall void this Warranty. You assume the risk and liability for loss, damage, or injury to you and your property and/or to others and their property arising out of the use or misuse or inability to use the product.

This limited warranty shall not extend to anyone other than the original purchaser, original lessee or the person for whom it was purchased as a gift.

How State Law Relates to this Warranty: This warranty gives you specific legal rights, and you may also have other rights which vary from state to state.

To locate your nearest service dealer dial 1-800-345-8746 in the United States or 1-800-668-1238 in Canada.

MTD LLC
P.O. Box 361131
Cleveland, OH 44136-0019

SAVE THESE INSTRUCTIONS FOR FUTURE REFERENCE.

FOR QUESTIONS CALL 1-800-345-8746 IN U.S.

OR 1-800-668-1238 IN CANADA

RYOBI®

780r

Désherbeuse/débroussailleuse à gaz à 2-temps

MANUEL DE L'UTILISATEUR



SI VOUS AVEZ DES QUESTIONS, APPELEZ LE 1-800-345-8746 aux ÉTATS-UNIS,
ou le 1-800-668-1238 au CANADA
www.RyobiOutdoor.com

MANUEL IMPORTANT

À NE PAS JETER

INTRODUCTION

TOUS NOS REMERCIEMENTS

Nous vous remercions d'avoir acheté ce produit de qualité. Cet outil mécanique de plein air moderne est conçu pour vous rendre service pendant longtemps. Il vous sauvera beaucoup de temps comme vous pourrez vous en rendre compte. Ce manuel de l'utilisateur comporte un mode d'emploi facile à comprendre. Prenez soin de lire le manuel au complet et suivez toutes ses instructions à la lettre afin de conserver votre nouvel outil mécanique de plein air en excellent état de fonctionnement.

RÉFÉRENCES, ILLUSTRATIONS ET SPÉCIFICATIONS RELATIVES AU PRODUIT

Toutes les informations, illustrations et spécifications contenues dans ce manuel tiennent compte des dernières informations techniques disponibles au moment de mettre sous presse. Nous nous réservons le droit d'y apporter des modifications à tout moment, sans préavis.

Copyright© 2003 MTD SOUTHWEST INC Tous droits réservés.

Bump Head^{MC} est une marque de commerce de MTD SOUTHWEST INC.

SplitLine^{MC} est une marque de commerce de MTD SOUTHWEST INC.

INFORMATIONS D'ENTRETIEN

Tout entretien effectué sur cet appareil pendant et après la période de garantie doit être fait par un concessionnaire agréé uniquement:

- Téléphonnez au numéro vert **1-800-345-8746** depuis les États-Unis ou au **1-800-668-1238** depuis le Canada, pour obtenir une liste des concessionnaires agréés les plus proches.

ou

- Allez sur www.RyobiOutdoor.com pour obtenir une liste des concessionnaires agréés les plus proches.

NE RETOURNEZ PAS L'APPAREIL AU DÉTAILLANT CHEZ QUI VOUS L'AVEZ ACHETÉ.

REMARQUE: TOUT SERVICE SOUS GARANTIE NÉCESSITE UNE PREUVE D'ACHAT.

Prenez soin de lire et de bien comprendre ce manuel avant de démarrer ou de faire fonctionner cet équipement.

CE PRODUIT EST COUVERT PAR UN OU PLUSIEURS BREVETS AMÉRICAINS, ET D'AUTRES SONT EN INSTANCE.

TABLE DES MATIÈRES

I.	Avertissement de la Proposition 65 de Californie . . .	F3
II.	Consignes de sécurité	F3-F7
	A. Importantes consignes de sécurité	F4
	B. Symboles de sécurité et internationaux	F6
	C. Familiarisez-vous avec l'appareil	F7
III.	Instructions de montage	F8-F10
	A. Installer et régler la poignée en J	F8
	B. Installation du harnais	F8
	C. Retrait et installation du protecteur d'accessoire de coupe	F8
	D. Retirer l'accessoire de coupe et installer la lame de coupe	F9
	E. Retirer la lame de coupe et installer l'accessoire de coupe	F10
IV.	Informations sur l'huile et le carburant	F11
V.	Instructions de démarrage et d'arrêt	F12
VI.	Mode d'emploi	F13-F14
	A. Tenue de la désherbeuse	F13
	B. Réglage de la longueur du fil	F13
	C. Conseils pour bien désherber	F13
	D. Coupe décorative	F14
	E. Utiliser la lame de coupe	F14
VII.	Entretien et réparations	F15-F20
	A. Programme d'entretien	F15
	B. Installation du fil	F15
	C. Installer un moulinet prérembobiné	F17
	D. Entretien du filtre à air	F17
	E. Entretien du pare-étincelles	F18
	F. Réglage du carburateur	F19
	G. Remplacement de la bougie	F19
	H. Nettoyage	F20
	I. Entreposage	F20
	J. Entreposage de longue durée	F20
	K. Accessoires/pièces de rechange	F20
VIII.	Tableau de dépannage	F21
IX.	Caractéristiques	F22
X.	Garantie	F24
XI.	Liste des Pièces	Couvercle Arrière

CONTENU DE L'EMBALLAGE

- Désherbeuse/débroussailleuse modèle 780r
- Δ Accessoire de coupe Bump Head de grande taille
- Δ Lame à broussailles à 4 dents
- Δ Poignée en J et visserie
- Protecteur d'accessoire de coupe et visserie
- Harnais d'épaule
- Outil de tige de blocage
- Manuel de l'utilisateur
- Carte d'enregistrement du produit
- Bouteille d'huile 2-temps
- Δ Cet élément est installé soit sur l'appareil soit sur l'ensemble de visserie.

PROPOSITION 65 DE CALIFORNIE



AVERTISSEMENT



LES GAZ D'ÉCHAPPEMENT DU MOTEUR DE CET APPAREIL CONTIENNENT DES PRODUITS CHIMIQUES CONSIDÉRÉS PAR L'ÉTAT DE CALIFORNIE COMME POUVANT CAUSER LE CANCER, DES MALFORMATIONS CONGÉNITALES OU D'AUTRES EFFETS NOCIFS SUR L'APPAREIL DE REPRODUCTION

PARE-ÉTINCELLES

NOTE : À l'intention des utilisateurs opérant dans les terres forestières des États-Unis et dans les états de Californie, du Maine, de l'Orégon et de Washington. Toutes les terres forestières des États-Unis et de l'état de Californie (Codes sur les ressources publiques 4442 et 4443), de l'Orégon et de Washington exigent de par la loi que certains moteurs à combustion interne utilisés dans des zones couvertes de taillis ou d'herbe soient équipés d'un pare-étincelles en parfait état de fonctionnement, ou qu'ils soient conçus, équipés et entretenus pour la prévention des incendies. Prenez tous les renseignements nécessaires auprès des autorités de votre province ou de votre municipalité concernant la réglementation en vigueur. Vous pourriez être passible d'une amende ou être tenu responsable si vous ne respectez pas cette réglementation. **Cet appareil est équipé d'un pare-étincelles en usine. S'il doit être remplacé, faites installer par votre concessionnaire local l'accessoire no. 182747 - kit du pare-étincelles.**

AVERTISSEMENT !

Lisez le(s) manuel(s) de l'utilisateur et suivez tous les avertissements et consignes de sécurité. Vous pourriez à défaut entraîner des blessures graves pour vous ou d'autres personnes.

SI VOUS AVEZ DES QUESTIONS, APPELEZ LE 1-800-345-8746 AUX ÉTATS-UNIS, OU LE 1-800-668-1238 AU CANADA

CONSIGNES DE SÉCURITÉ

Les symboles de sécurité attirent votre attention sur des dangers potentiels. Ces symboles et leurs détails explicatifs méritent que vous les lisiez et compreniez bien. Les avertissements de sécurité ne peuvent éviter les dangers de par eux-mêmes. Les consignes ou mises en garde qu'ils donnent ne remplacent pas des mesures préventives appropriées contre les accidents.

SYMBOLE SIGNIFICATION

REMARQUE: donne des informations ou des instructions vitales pour le fonctionnement ou l'entretien de l'équipement



SYMBOLE ALERTE DE SÉCURITÉ: indique un danger, un avertissement ou une mise en garde. Soyez vigilant afin d'éviter toute blessure grave. Ce symbole peut être combiné à d'autres symboles ou pictogrammes.

SYMBOLE SIGNIFICATION



DANGER: le non-respect d'un avertissement peut causer dommages matériels ou blessures graves pour tous. Respectez les consignes de sécurité afin de réduire les risques d'incendie, d'électrocution et de blessures.



AVERTISSEMENT: le non-respect d'un avertissement peut causer dommages matériels ou blessures graves pour tous. Respectez les consignes de sécurité afin de réduire les risques d'incendie, d'électrocution et de blessures.



MISE EN GARDE: le non-respect d'un avertissement peut causer dommages matériels ou blessures graves pour tous. Respectez toujours les consignes de sécurité afin de réduire les risques d'incendie, d'électrocution et de blessures.

CONSIGNES DE SÉCURITÉ

• IMPORTANTES CONSIGNES DE SÉCURITÉ •

LIRE TOUTES LES INSTRUCTIONS AVANT UTILISATION

- Veuillez lire les instructions avec soin. Familiarisez-vous avec les commandes et l'utilisation correcte de cet appareil.
- N'utilisez pas l'appareil si vous êtes fatigué, malade ou sous l'effet de l'alcool, de drogues ou de médicaments.
- Les enfants et adolescents de moins de 15 ans ne doivent pas utiliser l'appareil exceptés les adolescents assistés d'un adulte.
- Inspectez l'appareil avant utilisation. Remplacez les pièces endommagées. Regardez s'il y a des fuites de carburant. Assurez-vous que les fixations sont solidement en place. Remplacez les pièces de l'accessoire de coupe qui sont fendillées, ébréchées ou endommagées. Assurez-vous que l'accessoire de coupe est correctement installé et solidement fixé. Assurez-vous que le protecteur d'accessoire de coupe est correctement fixé et positionné comme recommandé. Vous risquez sinon de causer des blessures à l'opérateur et aux spectateurs, et d'endommager l'appareil.
- N'utilisez que du fil de remplacement Genuine Factory Parts™ d'origine de 2,41 mm (0,095 po) de diamètre. N'utilisez jamais de fil, de chaîne ou de cordon à renfort métallique car ils peuvent se briser et se transformer en projectile dangereux.
- Soyez conscient des risques de blessure à la tête, aux mains et aux pieds.
- Dégagez la zone de coupe avant chaque usage. Enlevez tous les objets pouvant être projetés ou happés par l'accessoire de coupe : cailloux, verre brisé, clous, fil ou ficelle. Éloignez enfants, spectateurs et animaux de la zone de coupe. Tenez-les à au moins 15 m (50 pi) de là mais sachez que les spectateurs risquent quand même d'être atteints par des objets projetés. Les spectateurs doivent porter des protections oculaires. Arrêtez immédiatement le moteur et l'accessoire de coupe si quelqu'un s'approche de vous.
- Appuyez sur la manette des gaz et assurez-vous qu'elle revient automatiquement en position de ralenti. Procédez à tous les réglages ou réparations avant d'utiliser l'appareil.

AVERTISSEMENTS DE SÉCURITÉ CONCERNANT LES DÉSHERBEUSES À GAZ



AVERTISSEMENT: l'essence est extrêmement inflammable et ses vapeurs peuvent exploser si on y met le feu. Veuillez prendre les précautions suivantes

- Ne stockez le carburant que dans des contenants spécialement conçus et homologués pour le stockage de ce type de matières.
- Arrêtez toujours le moteur et laissez-le refroidir avant de remplir le réservoir de carburant. N'enlevez jamais le bouchon du réservoir et n'ajoutez jamais de carburant pendant que le moteur est chaud. Ne faites jamais fonctionner l'appareil sans que le bouchon de carburant soit bien mis. Desserrez lentement le bouchon afin de réduire la pression du réservoir.

- Évitez de créer une source d'allumage pour le carburant déversé. Ne démarrez pas le moteur avant que les vapeurs de carburant ne se soient dissipées.
- Mélangez et ajoutez le carburant dans un endroit bien aéré et propre en plein air à l'abri des étincelles ou des flammes. N'enlevez lentement le bouchon du réservoir d'essence qu'après avoir arrêté le moteur. Ne fumez pas pendant le remplissage ou le mélange de carburant. Essayez immédiatement tout déversement de carburant de l'appareil.
- Éloignez l'appareil d'au moins 9.1 m (30 pi) de la source de ravitaillement en carburant avant de démarrer le moteur. Ne fumez pas et éloignez toute source d'étincelles ou de flammes vives du lieu de ravitaillement ou de fonctionnement de l'appareil.

PENDANT L'UTILISATION DE L'APPAREIL

- Évitez de démarrer ou de faire marcher l'appareil à l'intérieur d'une pièce ou d'un bâtiment fermé. La respiration de fumées d'échappement peut tuer. Ne faites fonctionner cet appareil qu'à l'extérieur dans un endroit bien aéré.
- Portez des lunettes de sécurité conformes aux normes ANSI Z87.1 ainsi que des protège-oreilles durant l'utilisation de l'appareil. Portez un masque facial ou antipoussières si vous travaillez dans un lieu poussiéreux.
- Portez des pantalons épais et longs, des bottes, des gants et une chemise à manches longues. Ne marchez pas pieds nus et évitez les vêtements lâches, bijoux, pantalons courts et sandales. Relevez les cheveux au-dessus des épaules.
- Le protecteur d'accessoire de coupe doit toujours être en place lors de l'utilisation de l'appareil. Ne faites pas marcher l'appareil sans que les deux fils soient bien déployés, en supposant qu'un fil approprié a été installé. Assurez-vous que le fil ne dépasse pas le protecteur de sécurité.
- Cet appareil est muni d'un embrayage. L'accessoire de coupe reste stationnaire lorsque le moteur est au ralenti. Si ce n'est pas le cas, faites régler l'appareil par un technicien agréé.
- Ajustez la poignée en J selon votre taille pour mieux l'agripper.
- N'utilisez l'appareil qu'en plein jour ou avec un bon éclairage artificiel.
- Évitez tout démarrage accidentel. Mettez-vous en position de démarrage chaque fois que vous tirez sur la corde de démarrage. L'opérateur et l'appareil doivent tous deux être en position stable à ce moment-là. Voir les *Instructions de démarrage et d'arrêt*.
- Ne vous étirez pas. Tenez-vous toujours bien sur vos pieds en position d'équilibre.
- Tenez toujours l'appareil des deux mains lorsque vous le faites marcher. Agrippez fermement les poignées avant et arrière.
- Gardez les mains, le visage et les pieds éloignés des pièces mobiles. Ne touchez pas et n'essayez pas d'arrêter l'accessoire de coupe en rotation.

CONSIGNES DE SÉCURITÉ

- Ne touchez pas le moteur, le boîtier d'engrenages ni le silencieux. Ces pièces deviennent très chaudes à l'utilisation. Elles restent chaudes brièvement après l'arrêt.
- Servez-vous des outils appropriés. N'utilisez cet outil que pour son usage prévu.
- Ne faites pas fonctionner le moteur à un régime plus élevé que nécessaire pour couper, tailler ou faire les bordures. Ne faites pas tourner le moteur à haut régime si vous ne vous faites pas de coupe.
- Arrêtez toujours le moteur lorsque vous suspendez la coupe ou lorsque vous vous déplacez d'un lieu de travail vers un autre.
- Si vous heurtez un corps étranger ou que celui-ci est happé, arrêtez le moteur immédiatement et vérifiez que rien n'a été endommagé. Ne faites pas fonctionner avant réparation des dommages. Ne faites pas marcher l'appareil si les pièces sont desserrées ou endommagées.
- Arrêtez et éteignez le moteur dans les cas suivants: entretien, réparation ou changement d'accessoires ou autres.
- N'utilisez que des pièces véritables de rechange et accessoires Genuine Factory Parts™ d'origine pour cet appareil. Elles sont disponibles auprès de votre concessionnaire agréé. L'utilisation de pièces ou accessoires autres que ceux de Genuine Factory Parts™ peut causer des blessures graves, endommager l'appareil et annuler sa garantie.
- Gardez l'appareil exempt d'accumulation de végétation ou autres matières. Celles-ci peuvent rester logées entre l'accessoire de coupe et le protecteur.
- Afin de diminuer les risques d'incendie, remplacez tout silencieux ou pare-étincelles défectueux et conservez le moteur et le silencieux exempts d'herbe, de feuilles et d'accumulation excessive de graisse ou de carbone.
- Avec une lame à broussailles, ne coupez rien de plus épais que 1,3 cm (1/2 po) au risque de provoquer un recul violent.
- N'essayez pas de toucher ni d'arrêter la lame pendant qu'elle tourne.
- La lame continue de tourner à vide une fois le moteur éteint ou la manette des gaz relâchée et peut causer des blessures graves. Gardez le contrôle jusqu'à ce qu'elle ait complètement arrêté de tourner.
- Ne faites pas tourner l'appareil à haut régime si vous ne faites pas de coupe.
- Si vous heurtez un corps étranger ou que celui-ci est happé, arrêtez le moteur immédiatement et vérifiez que rien n'a été endommagé. Réparez tout dommage éventuel avant de poursuivre le travail. N'utilisez pas l'appareil si la lame est tordue, fendillée ou émoussée. Jetez toute lame tordue, fendillée ou émoussée.
- N'aigüisez pas la lame de coupe car son extrémité risquerait de casser à l'usage et causer des blessures graves. Remplacez-la plutôt.
- Arrêtez le moteur IMMÉDIATEMENT si vous ressentez une vibration excessive car cela indique un problème. Vérifiez soigneusement qu'il n'y a ni écrous ni boulons desserrés, ni aucun dommage avant de continuer. Réparez ou remplacez les pièces affectées au besoin.

PENDANT L'UTILISATION DE LA LAME DE COUPE

- Prenez soin de bien lire et comprendre tous les avertissements de sécurité avant de faire fonctionner cet appareil.
- Portez toujours le harnais d'épaule lorsque vous utilisez la lame à broussailles.
- Maintenez toujours la poignée entre l'opérateur et l'accessoire de coupe ou la lame.
- Ne coupez jamais si la lame de coupe est à plus de 76 cm (30 po) au-dessus du sol.
- Lorsque la lame pivotante frappe un objet qu'elle ne peut pas couper, elle donne un coup brusque qui peut pousser violemment l'opérateur et l'appareil vers n'importe quelle direction et faire perdre le contrôle de l'appareil. Ceci peut se produire à l'improviste si la lame s'accroche, cale ou se coince. Cela est plus susceptible de se produire dans les endroits où il est difficile de voir ce que l'on coupe.

APRÈS L'UTILISATION

- Nettoyez la lame de coupe avec un nettoyant ménager pour éliminer toute accumulation de gomme. Lubrifiez la lame avec de l'huile mécanique contre la rouille.
- Verrouillez et rangez la lame de coupe dans un lieu approprié pour éviter toute utilisation indésirable ou des dommages.

AUTRES AVERTISSEMENTS DE SÉCURITÉ

- N'entrez jamais l'appareil rempli de carburant dans un édifice où les vapeurs peuvent atteindre une source de flammes vives ou d'étincelles.
- Laissez le moteur se refroidir avant de l'entreposer ou de le transporter. Attachez bien l'appareil pendant le transport.
- Rangez l'appareil dans un endroit verrouillé et sec, ou élevé et sec, hors de portée des enfants, pour éviter une utilisation indésirable ou un accident.
- Ne trempez et n'arrosez jamais l'appareil avec de l'eau ou tout autre liquide. Gardez les poignées sèches, propres et exemptes de débris. Nettoyez après chaque usage. Voir les sections *Nettoyage et Entreposage*.
- Conservez ces instructions. Consultez-les souvent et servez-vous en pour instruire d'autres usagers. Si vous prêtez l'appareil à quelqu'un, prêtez-lui également ces instructions.

CONSERVEZ CES INSTRUCTIONS

CONSIGNES DE SÉCURITÉ

SYMBOLES DE SÉCURITÉ ET INTERNATIONAUX

Ce manuel de l'utilisateur décrit les symboles et pictogrammes de sécurité et internationaux pouvant apparaître sur ce produit. Consultez le manuel de l'utilisateur pour les informations concernant la sécurité, le montage, le fonctionnement, l'entretien et les réparations.

SYMBOLE	SIGNIFICATION	SYMBOLE	SIGNIFICATION
	<ul style="list-style-type: none"> • SYMBOLE ALERTE DE SÉCURITÉ <p>Indique un danger, un avertissement ou une mise en garde. Ce symbole peut être combiné à d'autres symboles ou pictogrammes.</p>		<ul style="list-style-type: none"> • COMMANDE MARCHÉ/ARRÊT STOP <p>ALLUMAGE / DÉMARRAGE / MARCHÉ</p>
	<ul style="list-style-type: none"> • AVERTISSEMENT - LISEZ LE MANUEL DE L'UTILISATEUR <p>Lisez le manuel de l'utilisateur et suivez tous les avertissements et consignes de sécurité. Vous pourriez à défaut entraîner des blessures graves pour vous ou d'autres personnes.</p>		<ul style="list-style-type: none"> • COMMANDE MARCHÉ/ARRÊT STOP <p>ARRÊT ou STOP</p>
	<ul style="list-style-type: none"> • PORTEZ DES PROTECTIONS (YEUX ET OREILLES) <p>AVERTISSEMENT: les objets projetés et les bruits forts peuvent endommager la vue et l'ouïe. Portez une visière de norme ANSI Z87.1-1989 et des protège-oreilles pendant l'utilisation.</p>		<ul style="list-style-type: none"> • AVERTISSEMENT SURFACE CHAUDE <p>Ne touchez pas un silencieux ou un cylindre chaud. Vous pourriez vous brûler. Ces pièces deviennent très chaudes à l'utilisation. Elles restent chaudes brièvement après l'arrêt.</p>
	<ul style="list-style-type: none"> • ÉLOIGNEZ LES SPECTATEURS <p>AVERTISSEMENT: éloignez tout spectateur, les enfants et les animaux domestiques en particulier, d'au moins 15 m (50 pi) de la zone de coupe.</p>		<ul style="list-style-type: none"> • LAME AIGUISÉE <p>AVERTISSEMENT: le protecteur d'accessoire de coupe comporte une lame aiguisée. Ne touchez pas la lame pour éviter des blessures graves.</p>
	<ul style="list-style-type: none"> • CARBURANT SANS PLOMB <p>Utilisez toujours du carburant sans plomb frais et propre.</p>		<ul style="list-style-type: none"> • DÉBROUSSAILLEUSES : remplacez la lame émoussée. <p>N'aiguissez pas la lame de coupe car son extrémité risquerait de casser à l'usage et causer des blessures graves.</p>
	<ul style="list-style-type: none"> • NIVEAU D'HUILE <p>Voir le manuel de l'utilisateur pour le type d'huile approprié.</p>		<ul style="list-style-type: none"> • DÉSHERBEUSE/ DÉBROUSSAILLEUSE : SÉCURITÉ <p>AVERTISSEMENT : les objets projetés et la tête coupante rotative peuvent causer des blessures graves. Éloignez les spectateurs, les enfants et les animaux domestiques en particulier, d'au moins 15 m (50 pieds) de la zone de coupe. Vous devez utiliser le protecteur d'accessoire de coupe lorsque vous vous servez de l'accessoire de coupe de la désherbeuse.</p>
	<ul style="list-style-type: none"> • LES OBJETS PROJETÉS ET LA TÊTE ROTATIVE PEUVENT CAUSER DES BLESSURES GRAVES <p>AVERTISSEMENT: ne faites pas fonctionner sans protecteur de sécurité en plastique. Tenez-vous à l'écart de l'accessoire de coupe rotatif.</p>		

CONSIGNES DE SÉCURITÉ

FAMILIARISEZ-VOUS AVEC L'APPAREIL

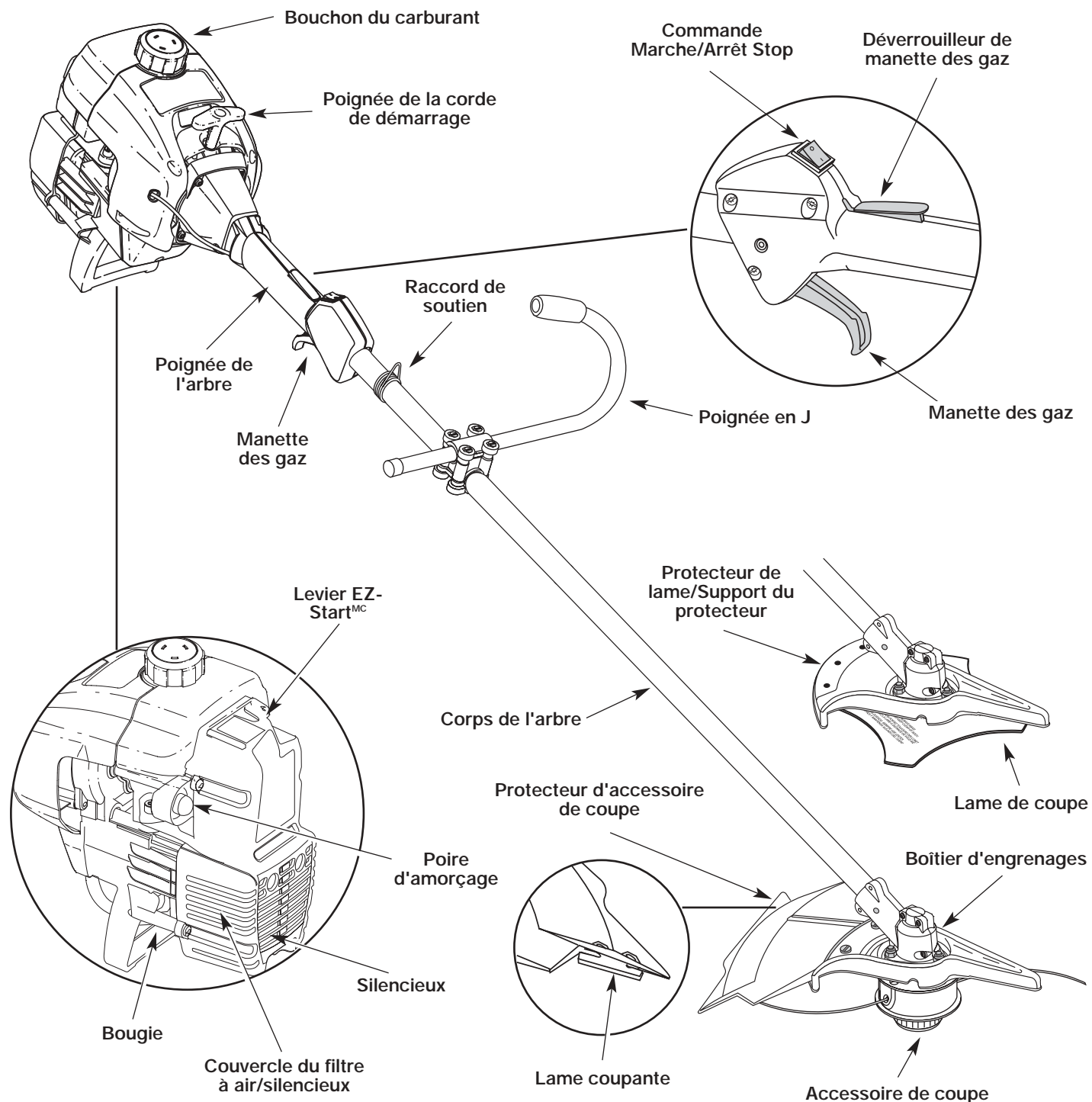
APPLICATIONS

Utilisation comme désherbeuse :

- Coupe d'herbe et de mauvaises herbes légères
- Coupe de bordures
- Taille autour des arbres, des clôtures, etc.

Utilisation comme débroussailluse :

- Coupe de mauvaises herbes et broussailles légères de 1,3 cm (1/2") de diamètre maximum



INSTRUCTIONS DE MONTAGE

INSTALLATION ET RÉGLAGE DE LA POIGNÉE EN J

1. Placez la poignée en J entre les brides supérieure et médiane (Fig. 1).

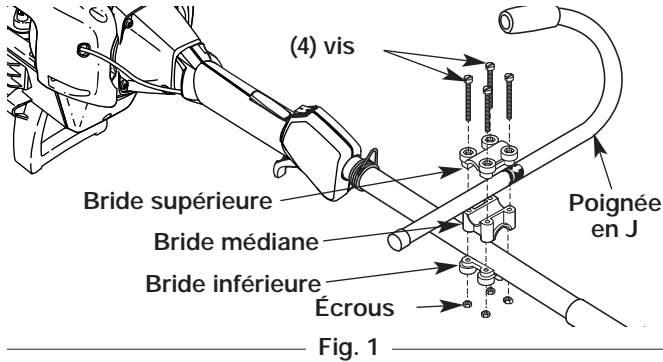


Fig. 1

2. Maintenez les trois pièces ensemble et introduisez les quatre (4) vis dans les brides supérieure et médiane.

REMARQUE: les trous des brides supérieure et médiane ne sont alignés que si l'assemblage est correct.

3. Placez les brides et la poignée en J sur le corps de l'arbre et sur la bride inférieure.
4. Tenez d'un doigt chaque écrou hex dans le renforcement de la bride inférieure. Commencez à visser à l'aide d'un grand tournevis à embout cruciforme. Ne serrez pas avant de régler le guidon.
5. Glissez la poignée en J en un mouvement de va-et-vient jusqu'à ce que la flèche/ligne blanche de l'autocollant touche la bride (Fig. 2).

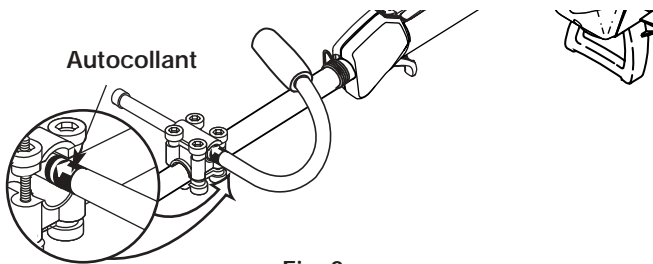


Fig. 2

6. Tenez l'appareil en position d'utilisation (Fig. 3), puis positionnez la poignée en J de manière à assurer une prise idéale.



Fig. 3

7. Serrez les vis des brides uniformément jusqu'à bien fixer la poignée.

INSTALLER LE HARNAIS



AVERTISSEMENT : portez toujours le harnais d'épaule lorsque vous utilisez la lame de coupe afin d'éviter de vous blesser.

1. Faites passer la bandoulière au centre de la boucle.
2. Tirez la bandoulière par-dessus la traverse et à travers la fente de la boucle (Fig. 4).
3. Passez le harnais par-dessus la tête puis sur l'épaule. Accrochez-le au raccord de soutien (Fig. 5).
4. Réglez la longueur en fonction de la taille de l'opérateur. Tirez la languette pour rallonger ou tirez la bande pour raccourcir (Fig. 6).

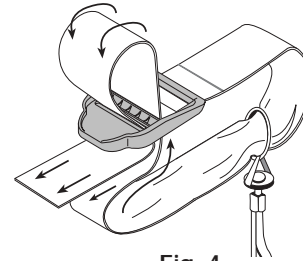


Fig. 4

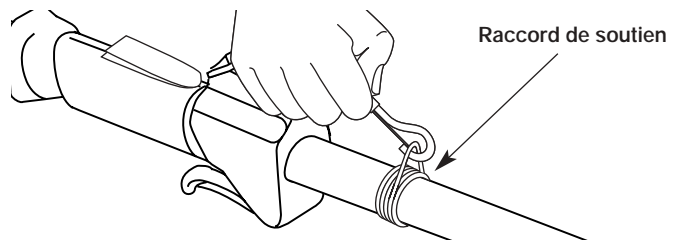


Fig. 5

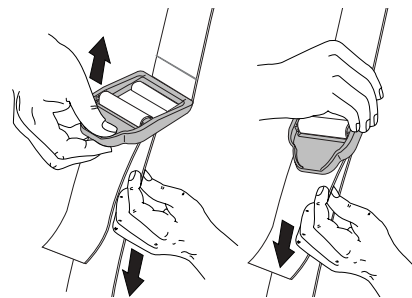


Fig. 6

RETRAIT ET INSTALLATION DU PROTECTEUR D'ACCESSOIRE DE COUPE

Enlevez le protecteur d'accessoire de coupe lorsque vous vous servez de l'appareil comme débroussailluse.



AVERTISSEMENT : n'installez PAS le protecteur d'accessoire de coupe si vous utilisez l'appareil avec une lame. Enlevez le protecteur avant d'enlever ou d'installer la lame.

Retirez le protecteur d'accessoire de coupe de son support en enlevant les trois vis à l'aide d'un tournevis à tête plate (Fig. 7). Rangez les pièces pour un usage ultérieur.

INSTRUCTIONS DE MONTAGE

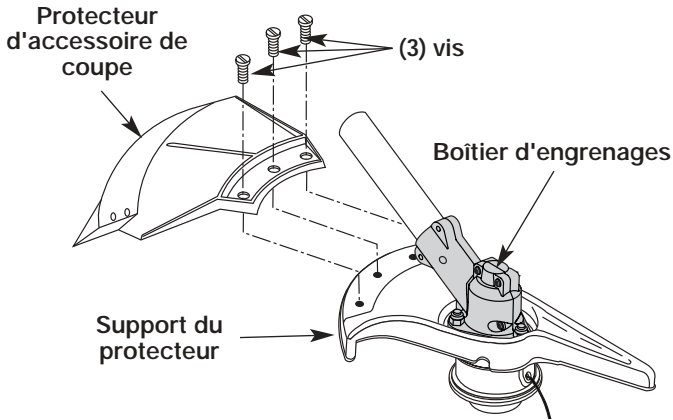


Fig. 7

Installez le protecteur d'accessoire de coupe lorsque vous vous servez de l'appareil comme désherbeuse.



AVERTISSEMENT : pour éviter des blessures graves, le protecteur d'accessoire de coupe DOIT toujours être installé lorsque vous vous servez de l'appareil comme désherbeuse.

Installez le protecteur d'accessoire de coupe sur son support en insérant les trois vis dans le support. Serrez fermement avec un tournevis à tête plate (Fig. 7).

RETIRER L'ACCESSOIRE DE COUPE ET INSTALLER LA LAME DE COUPE

REMARQUE : pour faciliter le retrait ou l'installation de la lame ou de l'accessoire de coupe, placez l'appareil au sol ou sur un établi.

Retrait du protecteur d'accessoire de coupe

Voir *Retrait et installation du protecteur d'accessoire de coupe*.

Retirer l'accessoire de coupe



AVERTISSEMENT : le boîtier d'engrenages chauffe à l'usage et peut blesser l'opérateur. Il reste chaud brièvement après l'arrêt. Ne le touchez pas tant qu'il n'a pas refroidi.

1. Alignez le trou de la bague de l'arbre avec la fente de la tige de blocage, puis insérez la tige dans le trou de la bague (Fig. 8).

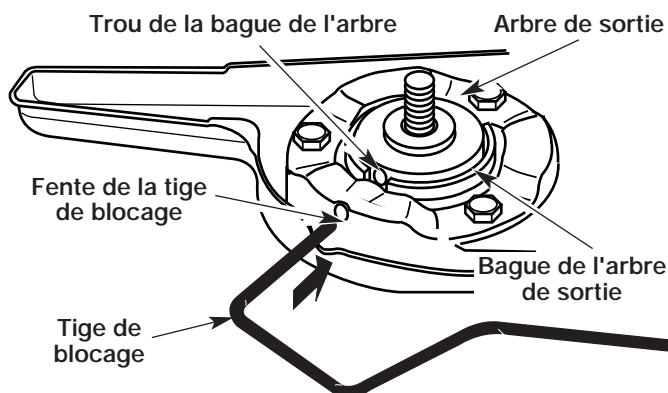


Fig. 8

2. Maintenez la tige de blocage en place en la saisissant près du bras de l'appareil (Fig. 9).
3. Tout en tenant la tige de blocage, retirez l'accessoire de coupe de l'arbre de sortie en le tournant à droite (Fig. 10). Rangez l'accessoire de coupe pour un usage ultérieur.

REMARQUE : la retenue de la lame sous l'accessoire de coupe servira au moment de l'installation de la lame de coupe.

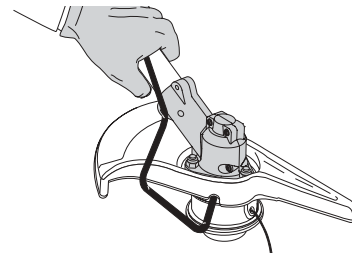


Fig. 9

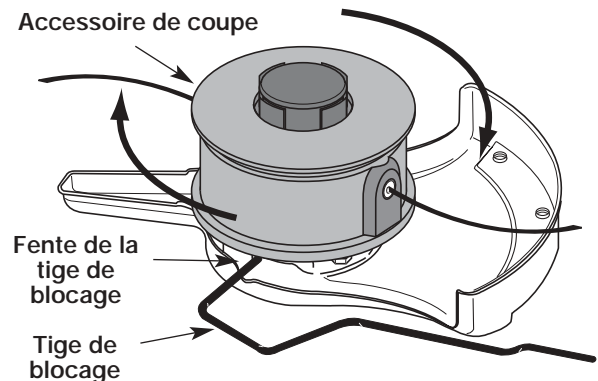


Fig. 10

Installer la lame de coupe



AVERTISSEMENT : pour éviter des blessures graves, portez toujours des gants lorsque vous manipulez ou installez la lame.

4. Placez la lame de coupe sur la bague de l'arbre de sortie (Fig. 11).

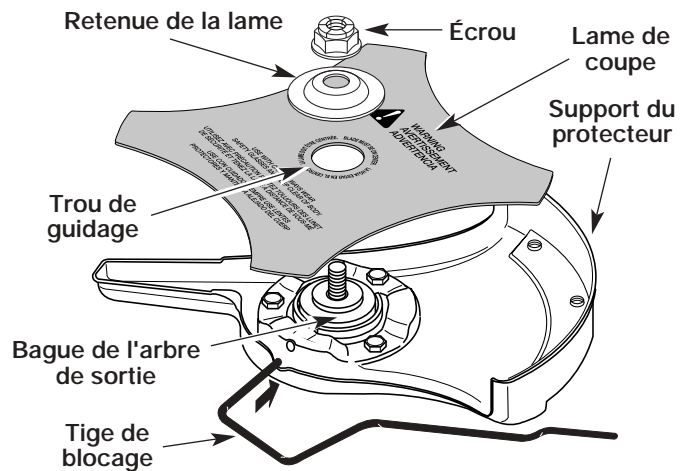
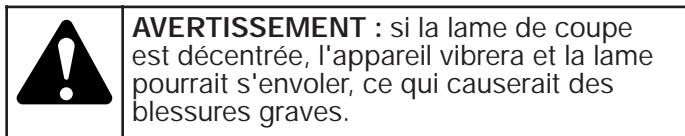


Fig. 11

INSTRUCTIONS DE MONTAGE

- Assurez-vous que la lame de coupe est centrée sur le pas de guidage et qu'elle repose à plat contre la bague de l'arbre de sortie (Fig. 12).



Pas de guidage

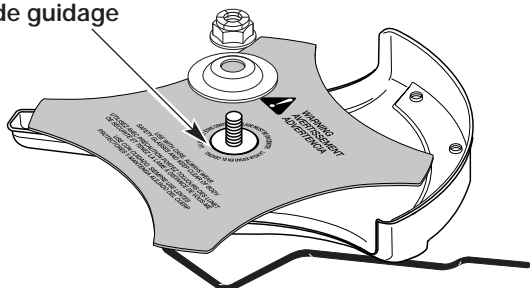


Fig. 12

- Alignez le trou de la bague de l'arbre avec la fente de la tige de blocage, puis insérez la tige dans le trou (Fig. 8).
- Placez la retenue et l'écrou de la lame sur l'arbre de sortie. Assurez-vous que la lame est bien mise.
- Vissez l'écrou vers la gauche contre la lame tout en tenant la tige de blocage :
 - Si vous utilisez une clé dynamométrique et une douille de 5/8 po, vissez selon les valeurs de couple suivantes : **325 - 335 po•lb, 27 - 28 pi•lb, 37 -38 N•m.**
 - Si vous n'avez pas de clé dynamométrique, utilisez une clé fermée ou à douille de 5/8 po et tournez l'écrou jusqu'à ce que la retenue soit bien ajustée contre la bague de l'arbre. Assurez-vous que la lame est bien mise, puis donnez à l'écrou entre 1/4 et 1/2 tour supplémentaire à gauche (Fig. 13).

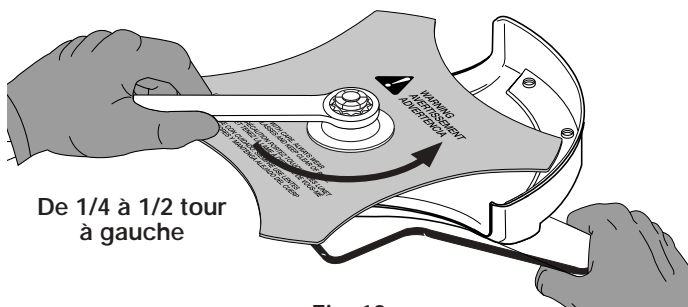
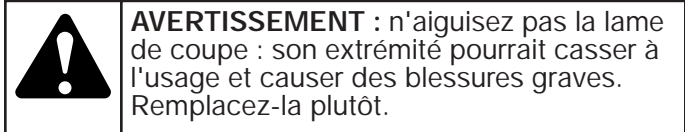
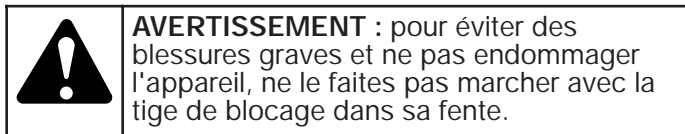


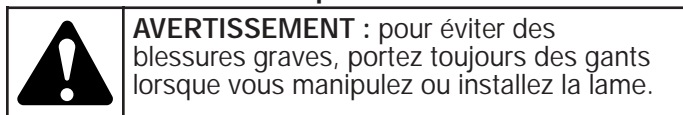
Fig. 13

- Retirez la tige de blocage de sa fente.



RETIRER LA LAME DE COUPE ET INSTALLER L'ACCESSOIRE DE COUPE

Retirer la lame de coupe



- Alignez le trou de la bague de l'arbre avec la fente de la tige de blocage, puis insérez la tige dans le trou.
- Maintenez la tige de blocage en place en la saisissant près du bras de l'appareil (Fig. 14).
- Tenez la tige de blocage et desserrez l'écrou de la lame en le tournant à droite avec une clé fermée ou à douille de 5/8 pouce (Fig. 14).

À droite

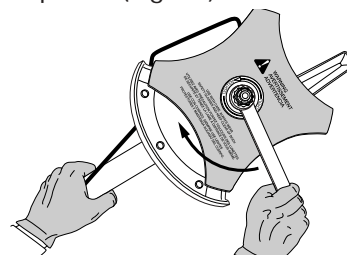


Fig. 14

- Retirez l'écrou, la retenue de lame et la lame. Rangez l'écrou et la lame ensemble en lieu sûr pour un usage ultérieur. Gardez hors de portée des enfants.

Installer l'accessoire de coupe

- Alignez le trou de la bague de l'arbre avec la fente de la tige de blocage, puis insérez la tige dans le trou. (Fig. 8). Placez la retenue de lame sur l'arbre de sortie, la partie plate reposant contre la bague de l'arbre tel qu'indiqué sur la Fig. 15. Vissez l'accessoire de coupe à gauche sur l'arbre. Vissez bien.

REMARQUE : la retenue de la lame doit être installée sur l'arbre de sortie dans la position indiquée pour que l'accessoire de coupe fonctionne correctement.

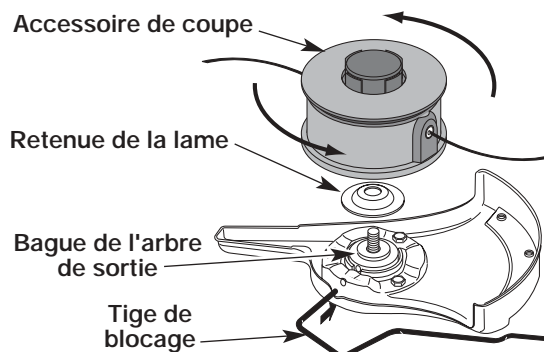


Fig. 15

- Retirez la tige de blocage.
- Installez le protecteur d'accessoire de coupe. Voir *Retrait et installation du protecteur d'accessoire de coupe*.



INFORMATIONS SUR L'HUILE ET LE CARBURANT

MÉLANGE D'HUILE ET DE CARBURANT

En général, si l'appareil ne fonctionne pas correctement, c'est que le carburant est vieux ou mal mélangé. Prenez soin d'utiliser de l'essence sans plomb fraîche et propre. Suivez à la lettre les instructions de mélange de carburant et d'huile.

Définition des carburants mélangés

Les carburants d'aujourd'hui sont souvent un mélange d'essence et d'oxygénés comme l'éthanol, le méthanol ou l'éther MTBE. Un carburant mélangé à l'alcool absorbe l'eau. Il suffit de 1 % d'eau pour séparer le carburant et l'huile. Cela forme de l'acide pendant le stockage. Si vous devez utiliser ce type de carburant, servez-vous de carburant frais (moins de 60 jours).

Usage de carburants mélangés

Si vous choisissez d'utiliser ou ne pouvez éviter d'utiliser un carburant mélangé, suivez les conseils suivants :

- Utilisez toujours un mélange de carburant frais selon le manuel de l'utilisateur.
- Agitez toujours le mélange de carburant avant d'alimenter l'appareil.
- Videz le réservoir et faites marcher le moteur jusqu'à l'assécher avant d'entreposer l'appareil.

Utilisation d'additifs de carburant

La bouteille d'huile 2-temps livrée avec l'appareil contient un additif permettant d'empêcher la corrosion et de minimiser la formation de résidus de gomme. Nous vous recommandons d'utiliser ce type d'huile uniquement.



Si cela n'est pas disponible, utilisez une bonne huile 2-temps conçue pour les moteurs à 2-temps refroidis par air en y ajoutant un additif, tel que le stabilisant de gaz STA-BIL ou un produit équivalent. Ajoutez 23 ml (0,8 oz) d'additif par 4 litres (1 gallon) de carburant selon les instructions du récipient. N'ajoutez JAMAIS d'additifs directement dans le réservoir de l'appareil.



MISE EN GARDE : Pour assurer un bon fonctionnement et une fiabilité maximale du moteur, suivez à la lettre les instructions de mélange d'huile et de carburant du récipient d'huile 2-temps. L'emploi de carburant mal mélangé peut endommager le moteur sérieusement.

Mélangez soigneusement l'huile moteur 2-temps avec de l'essence sans plomb dans un bidon séparé. Utilisez un rapport 40:1 d'essence/huile. Ne les mélangez pas directement dans le réservoir de carburant. Voir le tableau ci-dessous pour les rapports de mélange d'essence et d'huile.

REMARQUE : 3,8 litres (1 gallon) d'essence sans plomb mélangés avec une bouteille de 95 ml (3.2 oz) d'huile 2-temps donnent un rapport d'essence/huile de 40:1.

	+	
ESSENCE SANS PLOMB		HUILE 2-TEMPS
3,8 LITRES (1 GALLON US)	+	95 ML (3.2 OZ)
1 LITRE + 25 ml		
RAPPORT DE MÉLANGE O - 40:1		



AVERTISSEMENT : L'essence est extrêmement inflammable et les vapeurs qui s'en dégagent peuvent exploser si on y met le feu. Arrêtez toujours le moteur et laissez-le refroidir avant de remplir le réservoir. Ne fumez pas en remplissant le réservoir. Éloignez toute source d'étincelles ou de flammes vives de la zone.



AVERTISSEMENT : Enlevez le bouchon du réservoir lentement pour ne pas être blessé par les jets d'essence. Ne faites pas marcher l'appareil sans que le bouchon soit bien mis.



AVERTISSEMENT : Ajoutez du carburant dans un lieu propre et bien aéré en plein air. Essayez immédiatement tout déversement de carburant. Évitez de mettre le feu au carburant déversé. Ne démarrez pas le moteur avant dissipation des vapeurs de carburant.

NOTE: Éliminez le vieux mélange de carburant conformément aux règlements fédéral, provincial et municipal en vigueur.

INSTRUCTIONS DE DÉMARRAGE ET ARRÊT

INSTRUCTIONS DE DÉMARRAGE



AVERTISSEMENT : faites uniquement marcher l'appareil dans un lieu extérieur bien aéré. Les fumées d'échappement d'oxyde de carbone peuvent être fatales dans un lieu confiné.



AVERTISSEMENT : évitez tout démarrage accidentel. Tenez-vous en position de démarrage lorsque vous tirez sur la corde de démarrage (Fig. 18). L'opérateur et l'appareil doivent tous deux être en position stable pour éviter des blessures graves.

1. Mélangez l'essence avec l'huile. Remplissez le réservoir avec le mélange d'essence et d'huile. Voir *Instructions de mélange d'huile et de carburant*.
2. Mettez la commande Marche/Arrêt Stop en position **MARCHE (I)** (Fig. 16).
3. Enfoncez complètement la poire d'amorçage et relâchez-la lentement 10 fois de suite. Vous devriez voir du carburant dans la poire (Fig. 17). Si vous ne voyez rien, appuyez trois (3) fois de plus ou jusqu'à ce que le carburant apparaisse.
4. Poussez le levier EZ-Start^{MC} vers la gauche jusqu'à ce qu'il émette un déclic et se verrouille (Fig. 17).
5. L'appareil étant prêt à démarrer (Fig. 18), **N'APPUYEZ PAS SUR LA MANETTE DES GAZ** et tirez brusquement sur la corde de démarrage 5 fois de suite, le levier EZ-Start^{MC} étant tourné vers la gauche. Si le moteur essaie de démarrer avant le cinquième tir, passez à l'étape 6. Si le moteur ne démarre pas, retournez à l'étape 3.

REMARQUE : au démarrage, le levier EZ-Start^{MC} se dégage automatiquement lorsqu'on appuie sur la manette des gaz.

REMARQUE : Si la température extérieure ou la température de moteur excède 90°F et le moteur ne démarre pas après avoir tiré le cordon à 5 reprises, appuyez à fond sur la manette des gaz et tirez le cordon de démarrage énergiquement de 3 fois à 8 fois. Le moteur devrait démarrer après avoir tiré le cordon plusieurs fois.

6. Appuyez sur la manette des gaz pendant 5 à 10 secondes pour réchauffer le moteur. Le levier EZ-Start^{MC} devrait se dégager automatiquement (Fig. 17).

REMARQUE : si le moteur cale pendant que vous appuyez sur la détente, retournez à l'étape 4.

REMARQUE : Si le moteur cale avant d'appuyer sur la manette des gaz, appuyez sur cette dernière et tirez le cordon de démarrage jusqu'à ce que la débroussailleuse démarre.

REMARQUE : Pour mettre en marche un moteur chaud, commencez à l'étape 4.

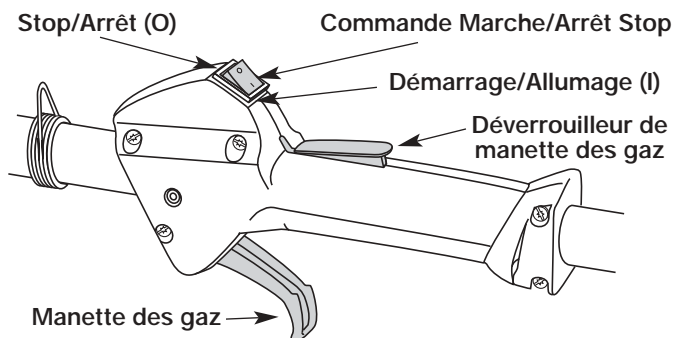


Fig. 16

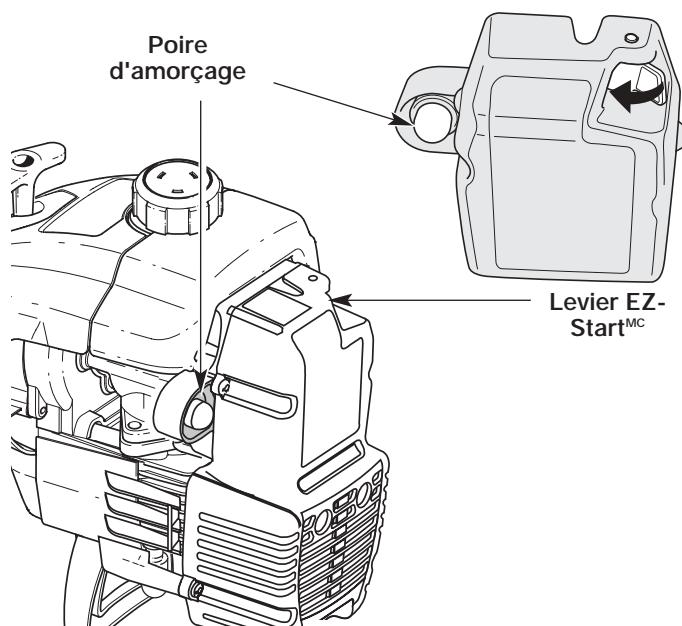


Fig. 17

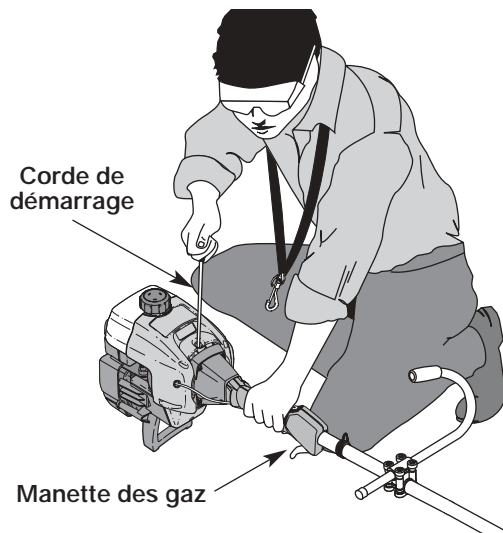


Fig. 18

INSTRUCTIONS D'ARRÊT

1. Relâchez la manette des gaz (Fig. 18). Laissez le moteur refroidir au ralenti.
2. Mettez la commande Marche/Arrêt Stop en position **ARRÊT (O)** (Fig. 16).

MODE D'EMPLOI

TENUE DE LA DÉSHERBEUSE



AVERTISSEMENT: portez toujours des protections (yeux, oreilles, pieds et corps) pour diminuer les risques de blessures durant l'utilisation de l'appareil.

Avant de faire marcher l'appareil, tenez-vous en position de fonctionnement (Fig. 19). Vérifiez les points suivants:

- L'opérateur porte une visière et des vêtements appropriés.
- Le bras droit est légèrement plié et la main tient l'arbre par sa prise.
- Le bras gauche est droit et la main tient la poignée.
- L'appareil est au-dessous de la ceinture.
- L'accessoire de coupe est parallèle au sol et touche facilement la végétation sans que l'opérateur ne doive se pencher.

Une fois que vous êtes en position de fonctionnement, accrochez la bandoulière à l'unité.



Fig. 19

RÉGLAGE DE LA LONGUEUR DU FIL

L'accessoire de coupe Bump Head^{MC} vous permet de donner du fil sans arrêter le moteur. Pour avoir plus de fil, tapez doucement l'accessoire de coupe sur le sol (Fig. 20) tout en faisant marcher la désherbeuse à haut régime.

REMARQUE : gardez toujours le fil bien déroulé. Il devient plus difficile de donner du fil à mesure que le fil de coupe devient plus court.

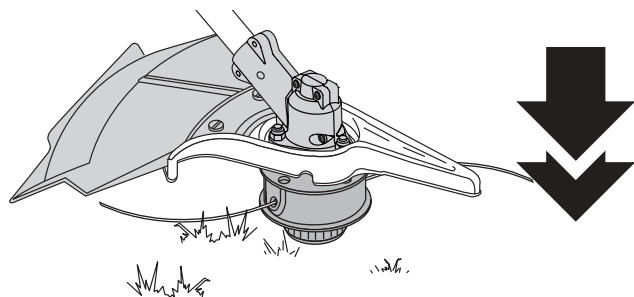


Fig. 20

Chaque fois que vous donnez un coup sur la tête, vous déroulez environ 25,4 mm (1 po) de fil. La lame du protecteur d'accessoire de coupe est conçue pour couper le fil à la bonne longueur si vous déroulez trop de fil.

Pour de meilleurs résultats, tapez la tête Bump Head^{MC} sur un sol dégagé ou dur. Si vous donnez du fil dans un lieu d'herbe haute, vous risquez de caler le moteur. Gardez toujours le fil bien déroulé. Il devient plus difficile de donner du fil à mesure que le fil de coupe se raccourci.

REMARQUE : ne posez pas la tête Bump Head^{MC} sur le sol lorsque l'appareil est en marche.



MISE EN GARDE: n'enlevez pas ni n'altérez l'ensemble de la lame coupante. Un excès de fil surchauffera l'embrayage. Ceci pourrait causer des blessures graves ou endommager l'appareil.

Le fil peut se briser dans les cas suivants :

- Happement de corps étrangers
- Usure normale du fil
- Coupe de mauvaises herbes épaisses à longues tiges
- Forcer le fil dans des objets comme des murs ou des poteaux de clôture

CONSEILS POUR BIEN DÉSHERBER

- Pour meilleurs les résultats qui taillent, opérer l'unité à plein étrangle.
- Le bon angle pour l'accessoire de coupe est parallèle au sol.
- Ne forcez pas l'accessoire. Coupez avec la pointe du fil (surtout le long des murs). Utiliser plus que la pointe diminue l'efficacité de la coupe et peut surcharger le moteur.
- Coupez l'herbe de plus de 200 mm (8 po) en procédant de haut en bas par petits incréments pour éviter d'user le fil prématurément ou de freiner le moteur.
- Coupez de gauche à droite chaque fois que possible. Cela améliore l'efficacité de coupe de l'appareil et les résidus de coupe sont projetés loin de l'opérateur.
- Déplacez lentement la désherbeuse dans et hors de la zone de coupe à la hauteur voulue. Procédez d'avant en arrière ou d'un côté à l'autre. Les coupes de longueur plus courte donnent les meilleurs résultats.
- Ne désherbez que lorsque l'herbe et les mauvaises herbes sont sèches.
- La durée de vie de votre fil de coupe dépend
 - de l'application des techniques de coupe précédentes
 - du type de végétation à couper
 - du lieu de coupe

Par exemple, le fil s'use plus vite si vous coupez le long d'un mur de fondation que si vous coupez autour d'un arbre.

MODE D'EMPLOI

COUPE DÉCORATIVE

La coupe décorative consiste à débiter la végétation autour des arbres, des bornes, des clôtures, etc.

Tournez entièrement l'appareil de manière à ce que l'accessoire de coupe soit à un angle de 30° par rapport au sol (Fig. 21).

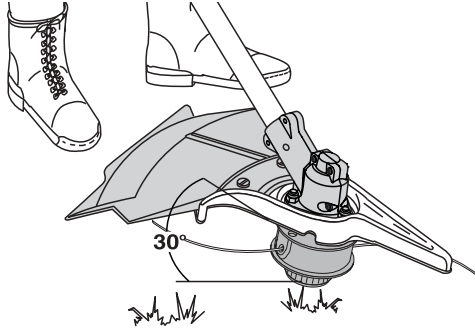


Fig. 21

UTILISATION DE LA LAME DE COUPE



AVERTISSEMENT : portez toujours des protections (yeux, oreilles, pieds et corps) et la bandoulière pour diminuer les risques de blessures durant l'utilisation de l'appareil.



AVERTISSEMENT : n'utilisez pas la lame de coupe comme coupe-bordure, cela peut entraîner des blessures graves pour vous ou d'autres personnes.

Avant de faire marcher l'appareil, tenez-vous en position de fonctionnement (Fig. 22). Voir *Tenue de la désherbeuse*.

Conseils d'utilisation de la lame

Comment adopter un bon rythme de coupe :

- Plantez les pieds fermement en les écartant confortablement.
- Lancez le moteur à pleine puissance avant de couper. La lame a une puissance de coupe maximale quand le moteur est à pleins gaz et est alors moins susceptible de se coincer, caler ou donner des coups, ce qui pourrait causer des blessures graves à l'opérateur et aux autres personnes.



AVERTISSEMENT : lorsque la lame pivotante frappe un objet qu'elle ne peut couper, elle donne un coup brusque qui peut pousser violemment l'opérateur et l'appareil vers n'importe quelle direction et faire perdre le contrôle de l'appareil. Ceci peut se produire brusquement si la lame s'accroche, cale ou se coince, notamment dans les endroits où il est difficile de voir ce que l'on coupe.

- Coupez tout en balançant le haut du corps de gauche à droite.
- Lorsque vous ne coupez pas, relâchez toujours la manette des gaz et laissez le moteur tourner au ralenti.
- Lorsque vous avez fini, dégagez toujours l'appareil du harnais avant d'enlever celui-ci.



AVERTISSEMENT : la lame continue de tourner à vide une fois le moteur éteint et peut vous blesser sérieusement si vous la touchez accidentellement.

- Balancez l'appareil dans le opposé sens que celui de la rotation de la lame, ce qui accroît la puissance de coupe.
- Avancez vers la zone à couper suivante, après avoir ramené l'appareil, et plantez fermement les pieds de nouveau.
- La lame de coupe comporte un second bord coupant que vous pouvez utiliser. Pour cela, retirez la lame, retournez-la et fixez-la de nouveau.



AVERTISSEMENT : n'aigüez pas la lame de coupe car son extrémité risquerait de casser à l'usage et causer des blessures graves à vous-même ou à d'autres personnes. Remplacez-la plutôt

Pour diminuer les risques d'enroulement des matériaux autour de la lame, suivez les points suivants :

- Coupez à pleins gaz.
- Balancez l'appareil de gauche à droite tout en pénétrant dans la zone à couper (Fig. 23).
- Évitez, sur le mouvement de retour, les matières que vous venez de couper.



AVERTISSEMENT : ne débitez pas les matières coupées pendant que le moteur ou la lame tournent. Pour éviter des blessures graves, éteignez le moteur et laissez la lame s'arrêter avant de dégager les matières enroulées autour de l'axe de la lame.



Fig. 22

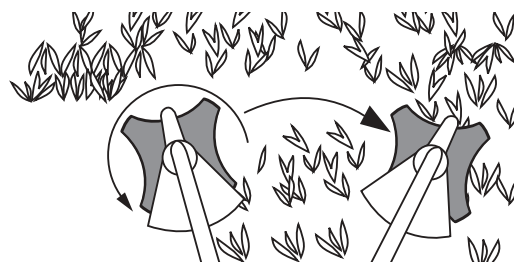


Fig. 23

ENTRETIEN ET RÉPARATIONS

REMARQUE : certaines procédures d'entretien nécessitent des compétences ou des outils particuliers. Si vous n'êtes pas sûr de pouvoir les entreprendre, emmenez votre appareil dans un atelier, chez un technicien ou un concessionnaire agréé spécialisé dans les réparations de moteurs d'outils mécaniques de plein air.

PROGRAMME D'ENTRETIEN

L'entretien doit respecter la fréquence indiquée dans le tableau ci-dessous. Il doit également faire partie de toute mise au point saisonnière.

	AVERTISSEMENT : pour éviter tout accident, n'effectuez jamais l'entretien ou des réparations quand l'appareil fonctionne. Effectuez-les toujours lorsqu'il est froid. Débranchez le câble de la bougie pour prévenir la mise en route.
--	-----------------------------------------------------------------------------------------------------------------------------------------------------------------------------------------------------------------------------------------------

FRÉQUENCE	ENTRETIEN REQUIS	RÉFÉRENCE
Avant démarrage	Remplissez le réservoir du mélange d'essence/huile approprié	Page F11
Toutes les 10 heures	Nettoyez le filtre à air et lubrifiez-le de nouveau	Page F17
Toutes les 25 heures	Vérifiez le pare-étincelles et nettoyez-le Vérifiez l'état de la bougie et l'écartement des électrodes	Page F18 Page F19
Toutes les 50 heures	Examinez l'orifice d'échappement et l'écran pare-étincelles pour détecter tout bouchage ou obstruction, afin d'assurer des niveaux de performance maximum.	Page F18

INSTALLATION DU FIL

Cette section couvre l'installation de fil SplitLine^{MC} et l'installation de fil simple standard.

Utilisez toujours un fil de remplacement Genuine Factory Parts^{MC} d'origine de 2,41mm (0,095 po). Un autre fil pourrait surchauffer ou endommager le moteur.

	AVERTISSEMENT : n'utilisez jamais de fil, de chaîne ou de cordon à renfort métallique car ils peuvent se briser et se transformer en projectiles dangereux.
--	--------------------------------------------------------------------------------------------------------------------------------------------------------------------

Vous pouvez remplacer le fil de deux façons:

- Rembobinez du fil neuf dans le moulinet intérieur
- Installer un moulinet intérieur prérembobiné

Rembobiner le moulinet intérieur existant

1. Tenez la bobine extérieure d'une main et dévissez le bouton de butée vers à droite (Fig. 24). Inspectez le boulon à l'intérieur du bouton de butée pour vous assurer qu'il se déplace librement. Remplacez le bouton de butée s'il est endommagé.

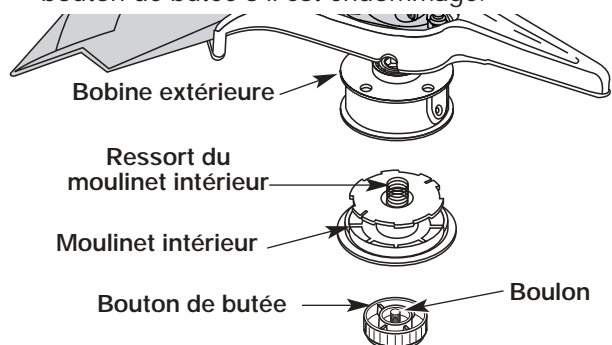


Fig. 24

REMARQUE: l'entretien, le remplacement ou la réparation des dispositifs et systèmes antipollution peuvent être effectués par tout atelier, technicien ou concessionnaire agréé spécialisé dans les réparations de moteurs d'outils mécaniques de plein air.

Afin d'assurer une performance optimale du moteur, il est conseillé d'examiner l'orifice d'échappement du moteur après 50 heures de fonctionnement. Si vous remarquez une perte de tours par minute, une pauvre performance ou un manque général d'accélération, cet entretien peut s'avérer nécessaire. Si vous pensez que le moteur a besoin de ce type d'inspection, apportez-le pour réparation auprès d'un atelier, technicien ou concessionnaire agréé spécialisé dans les réparations de moteurs d'outils mécaniques de plein air. N'essayez PAS de le faire vous-même car un endommagement du moteur pourrait résulter de la présence d'impuretés provenant du nettoyage de l'orifice.

2. Retirez le moulinet intérieur de la bobine extérieure (Fig. 24).
3. Retirez le ressort du moulinet (Fig. 24).
4. Nettoyez le moulinet intérieur, le ressort, et l'arbre et la surface interne de la bobine extérieure à l'aide d'un tissu propre (Fig. 25).
5. Vérifiez l'état d'usure des dents de positionnement sur le moulinet intérieur et la bobine extérieure (Fig. 26). Enlevez les ébarbures ou remplacez le moulinet et la bobine au besoin.

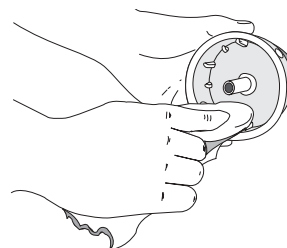


Fig. 25

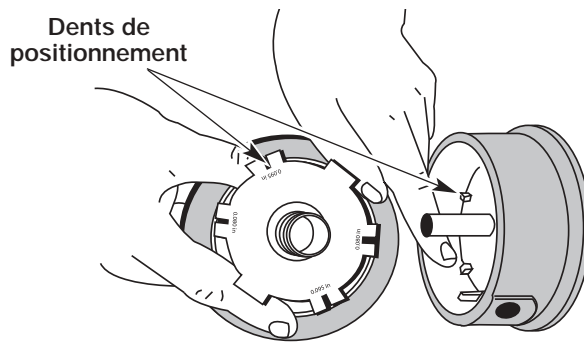


Fig. 26

ENTRETIEN ET RÉPARATIONS

Utiliser avec le fil simple
UNIQUEMENT

Utiliser avec le SplitLine^{MC}
ou le fil simple

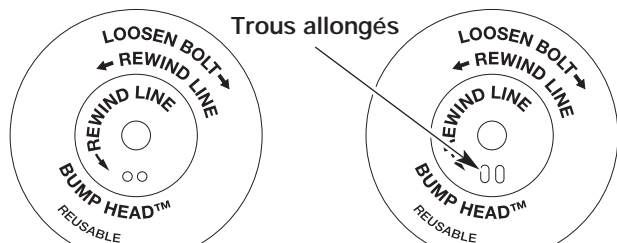


Fig. 27

REMARQUE : le SplitLine^{MC} peut être utilisé seulement avec le moulinet intérieur à trous allongés. Le fil simple peut être utilisé avec les deux sortes de moulinet intérieur. Identifiez votre type de moulinet en vous référant à la Figure 27.

REMARQUE : utilisez toujours la bonne longueur de fil lorsque vous posez le fil sur l'appareil. Le fil risque de ne pas se dérouler correctement s'il est trop long.

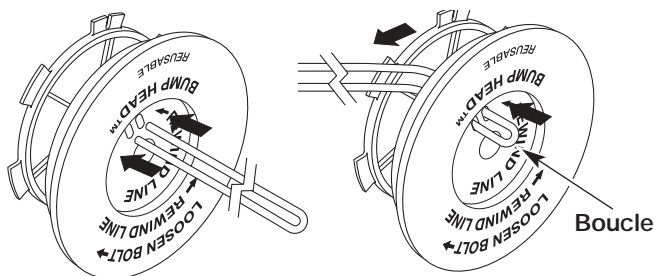


Fig. 28

Installation du fil simple

Pour l'installation du SplitLine^{MC}, passez à l'étape 8.

- Découpez environ 12,2 m (40 pi) de fil neuf et faites-en deux boucles de longueurs égales. Insérez chaque extrémité de fil dans l'un des deux trous du moulinet (Fig. 28). Tirez le fil à travers le moulinet pour que la boucle soit le plus petit possible.
- Enroulez les fils en couches uniformes serrées sur le moulinet (Fig. 29). Enroulez le fil dans le sens indiqué sur le moulinet intérieur. Placez votre index entre les deux fils pour les empêcher de se superposer. Ne superposez pas les extrémités du fil. Passez à l'étape 11.

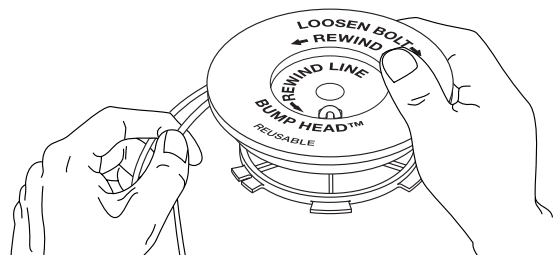


Fig. 29

Installation du SplitLine^{MC}

- Découpez environ 6,1 m (20 pi) de fil neuf. Insérez une extrémité de fil dans l'un des deux trous du moulinet intérieur (Fig. 30). Tirez le fil jusqu'à ne laisser que 10 cm (4 po) environ.

- Insérez l'extrémité du fil dans le trou ouvert du moulinet et tirez sur le fil pour que la boucle soit le plus petit possible (Fig. 30).
- Avant de rembobiner le fil, séparez-le en deux sur une longueur d'environ 15 cm (6 po).
- Enroulez le fil en couches uniformes serrées dans le sens indiqué sur le moulinet intérieur.

REMARQUE : ne pas enrouler le fil dans le sens indiqué entraînera un mauvais fonctionnement de l'accessoire de coupe.

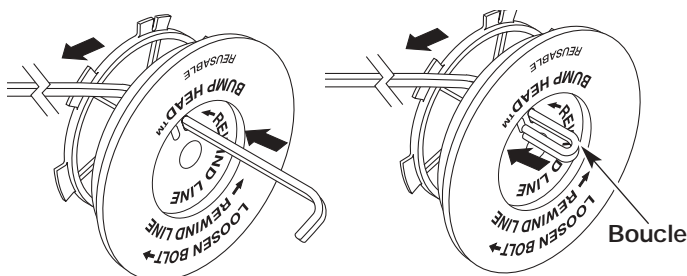


Fig. 30

- Insérez les extrémités du fil dans les deux fentes de retenue (Fig. 31).
- Insérez les extrémités du fil dans les œillets de la bobine extérieure et placez le moulinet et le ressort dans la bobine (Fig. 32). Enfoncez le moulinet et la bobine ensemble. Tout en tenant le moulinet et la bobine, saisissez les extrémités et tirez fermement pour dégager le fil des fentes de retenue de la bobine.

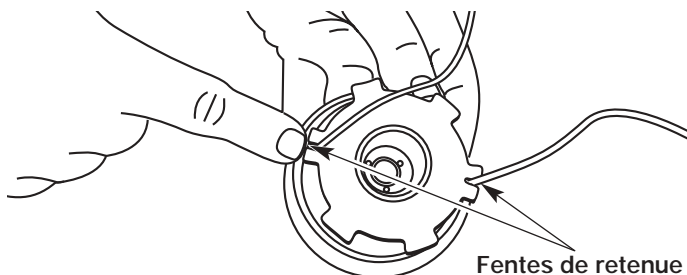


Fig. 31

REMARQUE : le ressort doit être installé dans le moulinet intérieur avant de remonter l'accessoire de coupe.

- Maintenez le moulinet intérieur en place et installez le bouton de butée en le tournant à gauche. Vissez bien.

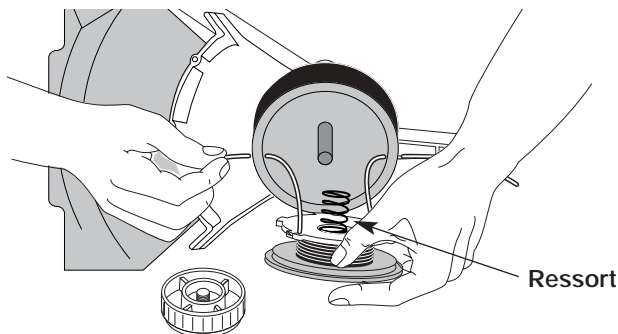


Fig. 32

ENTRETIEN ET RÉPARATIONS

Installation d'un moulinet prérembobiné

1. Tenez la bobine extérieure d'une main et dévissez le bouton de butée vers à droite (Fig. 24). Inspectez le boulon à l'intérieur du bouton de butée pour vous assurer qu'il se déplace librement. Remplacez le bouton de butée s'il est endommagé.
 2. Retirez l'ancien moulinet intérieur de la bobine extérieure (Fig. 24).
 3. Retirez le ressort de l'ancien moulinet intérieur (Fig. 24).
 4. Placez le ressort dans le moulinet intérieur neuf.
- REMARQUE :** le ressort doit être installé dans le moulinet intérieur avant de remonter l'accessoire de coupe.
5. Insérez les extrémités du fil dans les œillets de la bobine extérieure (Fig. 32).
 6. Placez le moulinet intérieur neuf dans la bobine. Poussez le moulinet et la bobine ensemble. Tout en tenant le moulinet et la bobine, saisissez les extrémités et tirez fermement pour dégager le fil des fentes de retenue de la bobine.
 7. Maintenez le moulinet intérieur en place et installez le bouton de butée en le tournant à gauche. Vissez bien.

Pièces de rechange

Voir *Accessoires et pièces de rechange*.

ENTRETIEN DU FILTRE À AIR

Retrait du filtre à air/couvercle du silencieux



AVERTISSEMENT: pour éviter des blessures graves, éteignez toujours l'appareil et laissez-le refroidir avant tout nettoyage ou entretien.

1. Retirez les quatre (4) vis retenant le filtre à air/couvercle du silencieux (Fig. 33). Servez-vous d'un tournevis à lame plate ou à mèche no. 20 Torx.
2. Retirez le couvercle du moteur. Ne forcez pas.

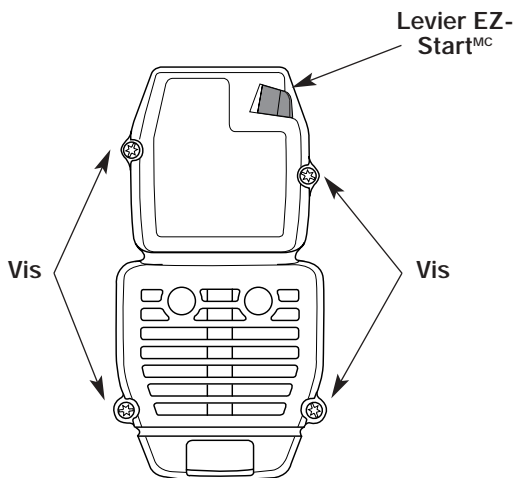


Fig. 33

NETTOYAGE DU FILTRE À AIRE

Nettoyez et relubrifiez le filtre à air à toutes les 10 heures de fonctionnement. C'est l'un des éléments les plus importants pour l'entretien. Si vous n'en faites pas l'entretien, cela ANNULERA la garantie.

1. Retirez le filtre à air/couvercle du silencieux. Voir la section *Retrait et installation du filtre à air/couvercle du silencieux*.
2. Retournez le couvercle et inspectez l'intérieur pour repérer le filtre à air. Retirez le filtre à air de l'intérieur du couvercle du filtre à air/silencieux (Fig. 34).
3. Lavez le filtre dans un mélange d'eau et de détergent (Fig. 35). Rincez le filtre abondamment. Essorez l'excédent d'eau. Laissez sécher complètement.
4. Appliquez suffisamment d'huile propre SAE 30 pour enduire légèrement le filtre (Fig. 36).
5. Pressez le filtre pour répartir et drainer l'excédent d'huile (Fig. 37).

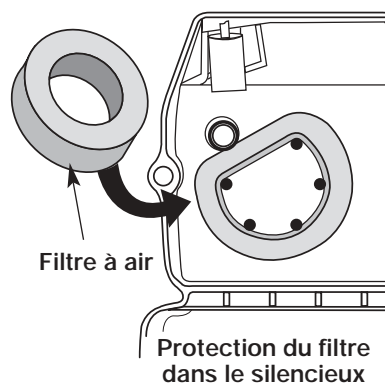


Fig. 34

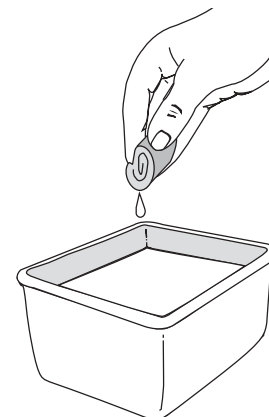


Fig. 35

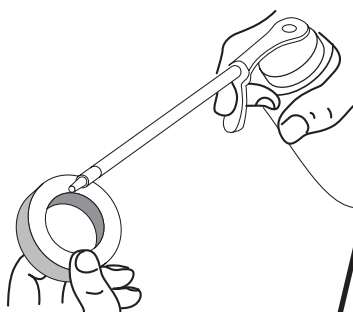


Fig. 36

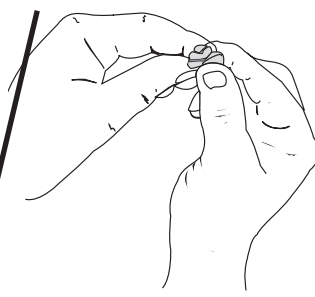


Fig. 37

6. Remplacez le filtre à air dans le filtre à air/couvercle du silencieux (Fig. 34).

REMARQUE : l'utilisation de l'appareil sans filtre à air et sans ensemble filtre à air/couvercle du silencieux ANNULERA la garantie.

ENTRETIEN ET RÉPARATIONS

Réinstallation du filtre à air/couvercle du silencieux

1. Placez le filtre à air/couvercle du silencieux sur l'endos du carburateur et du silencieux. Alignez les trous à vis.
2. Insérez les quatre (4) vis dans les trous du filtre à air/couvercle du silencieux (Fig. 33) et vissez sans trop serrer.

ENTRETIEN DU PARE-ÉTINCELLES

1. Retirez le couvercle du filtre à air/silencieux. Voir *Retrait du couvercle du filtre à air/silencieux*.
2. Repérez le devant du silencieux et les deux (2) boulons qui le retiennent au moteur (Fig. 38). Retirez les deux (2) boulons à l'aide d'un tournevis à lame plate, d'une douille de 5/16 po ou d'un tourne-écrou. Retirez le silencieux du moteur.
3. Retournez le silencieux vers l'arrière et repérez le joint d'échappement. Retirez le joint du silencieux (Fig. 38).

REMARQUE : si le joint d'échappement est déchiré ou endommagé, remplacez-le par un joint neuf avant de réassembler le silencieux.

4. Soulevez soigneusement le pare-étincelles de son trou à l'aide d'un petit tournevis à lame plate (Fig. 39). Retirez le pare-étincelles du silencieux.
5. Nettoyez le pare-étincelles à l'aide d'une brosse métallique. Remplacez-le s'il est endommagé ou si vous n'arrivez pas à le nettoyer complètement (Fig. 39).
6. Remplacez le pare-étincelles en l'enfonçant dans son trou à l'arrière du silencieux. Assurez-vous qu'il est bien fixé contre le silencieux et qu'il n'est pas soulevé.
7. Placez le joint d'échappement contre l'arrière du silencieux. Alignez les trous de boulon du joint d'échappement avec les trous de boulon du silencieux. Tout en maintenant le joint d'échappement en place, insérez les boulons sur le devant du silencieux (Fig. 38).
8. Placez le silencieux, joint d'échappement en place et boulons insérés, contre le moteur en alignant les trous de boulon. Serrez les boulons pour bien fixer le silencieux au moteur.

Si vous utilisez une clé dynamométrique vissez avec les valeurs de couple suivantes :

80-90 po•lb (9-10,2 N•m).

9. Remplacez le couvercle du filtre à air/silencieux.

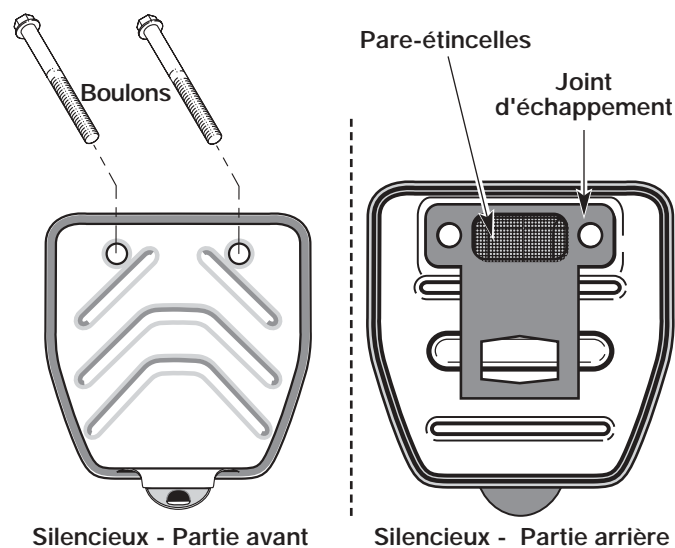


Fig. 38

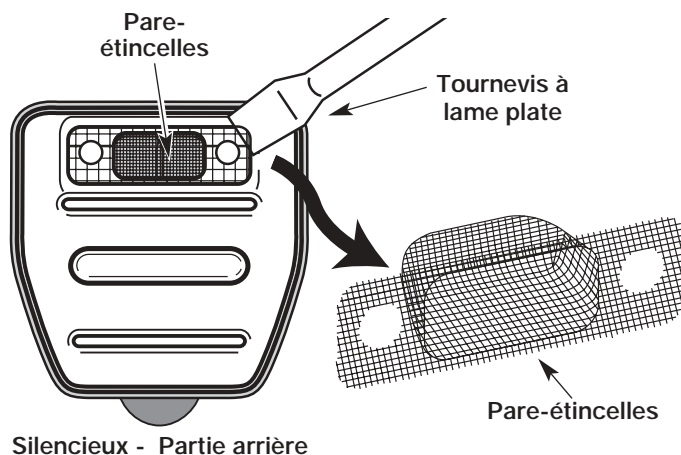


Fig. 39



AVERTISSEMENT : si le silencieux n'est pas solidement assujéti, il risque de tomber et d'endommager l'outil et de causer des blessures graves.

ENTRETIEN ET RÉPARATIONS

RÉGLAGE DU CARBURATEUR

Le régime ralenti du moteur est réglable par le couvercle du filtre à air/silencieux (Fig. 40).

REMARQUE : des réglages non soigneux peuvent endommager sérieusement l'appareil. Les réglages de carburateur doivent être faits par un concessionnaire agréé.

Vérification du mélange de carburant

En général, si l'appareil ne fonctionne pas correctement, c'est que le carburant est vieux ou mal mélangé. Videz puis remplissez le réservoir de carburant frais et bien mélangé avant d'effectuer des réglages. Voir la section *Informations sur l'huile et le carburant*.


Nettoyage du filtre à air

L'état du filtre à air est très important pour le fonctionnement de l'appareil. Un filtre à air sale restreint le débit d'air et affecte le mélange de carburant/air. On confond cela souvent avec un mauvais réglage du carburateur. Vérifiez l'état du filtre à air avant de régler la vis de réglage de ralenti. Voir *Entretien du filtre à air*.

Réglage de la vis de réglage de ralenti

Si le moteur ne se met toujours pas au ralenti après vérification du mélange de carburant et du nettoyage du filtre à air, réglez la vis de ralenti comme suit:

1. Démarrez le moteur et laissez-le tourner à haut régime pendant une minute pour se réchauffer. Voir les *Instructions de démarrage et d'arrêt*.

	AVERTISSEMENT: il se peut que l'accessoire de coupe tourne pendant un réglage de carburateur. Portez des vêtements protecteurs et respectez toutes les consignes de sécurité pour éviter des blessures graves.
-------------------------------------------------------------------------------------	-----------------------------------------------------------------------------------------------------------------------------------------------------------------------------------------------------------------------

2. Relâchez le levier d'accélérateur et laissez le moteur au ralenti. Si le moteur s'arrête, insérez un petit tournevis à embout cruciforme ou à tête plate dans le trou du filtre à air/couvercle du silencieux (Fig. 40). **Vissez** la vis de ralenti de 1/8 de tour à la fois (selon le besoin) jusqu'à ce que le moteur se mette bien au ralenti.

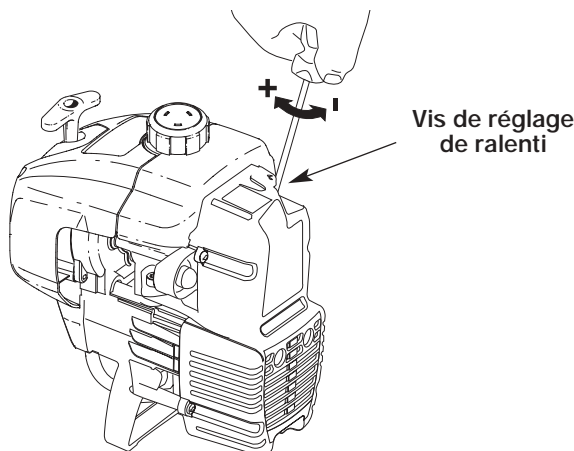


Fig. 40

REMARQUE : l'accessoire de coupe ne devrait pas tourner lorsque le moteur est au ralenti.

3. S'il tourne, **dévissez** la vis de ralenti de 1/8 de tour à la fois (selon le besoin) pour réduire la vitesse de ralenti.

La vérification du mélange de carburant, le nettoyage du filtre à air et le réglage de la vis de ralenti devraient résoudre la plupart des problèmes de moteur.

Dans le cas contraire et si :

- Le moteur ne se met pas au ralenti,
 - Le moteur hésite ou se cale lors d'une accélération,
 - Le moteur perd de la puissance,
- faites régler le carburateur par un concessionnaire agréé.



AVERTISSEMENT : une fois l'appareil éteint, assurez-vous que l'accessoire de coupe est arrêté avant de poser l'appareil pour éviter des blessures graves.

REMPACEMENT DE LA BOUGIE

Utilisez une bougie Champion RDJ7Y. L'écartement correct est de **0,5 mm (0,020 po)**. Retirez la bougie après **25 heures** de fonctionnement et vérifiez son état.

1. Arrêtez le moteur et laissez-le refroidir. Saisissez fermement le câble de la bougie et retirez le capuchon de celle-ci.
2. Nettoyez toute saleté de la bougie. Retirez la bougie de la culasse en tournant la douille de 5/8 po à gauche.
3. Remplacez toute bougie fendillée, encrassée ou sale. Réglez l'écartement à **0,5 mm (0,020 po)** à l'aide d'une jauge d'épaisseur (Fig. 41).



MISE EN GARDE : évitez de sabler, gratter ou nettoyer les électrodes car de la saleté dans le moteur pourrait endommager le cylindre.

4. Installez la bougie avec un écartement correct dans la culasse en tournant la douille de 5/8 po à droite jusqu'à la bien visser.

Si vous utilisez une clé dynamométrique vissez avec les valeurs de couple suivantes :

110-120 po•lb (12,3-13,5 N•m).

Évitez de trop serrer.

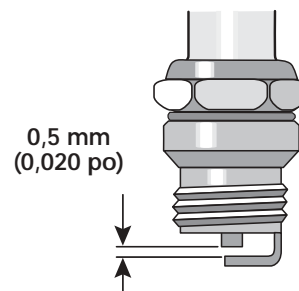


Fig. 41

ENTRETIEN ET RÉPARATIONS

NETTOYAGE



AVERTISSEMENT: pour éviter des blessures graves, éteignez toujours l'appareil et laissez-le refroidir avant tout nettoyage ou entretien.

Nettoyez l'extérieur de l'appareil à l'aide d'une petite brosse. N'utilisez pas de détergents concentrés. Les nettoyants ménagers contenant des huiles aromatiques tel que le pin et le citron, et les solvants tel que le kérosène peuvent endommager le boîtier ou la poignée en plastique. Essuyez toute trace d'humidité à l'aide d'un tissu doux.

ENTREPOSAGE

- Ne rangez jamais l'appareil plein de carburant dans un lieu où les vapeurs peuvent atteindre une flamme vive ou des étincelles.
- Laissez le moteur se refroidir avant de l'entreposer.
- Rangez l'appareil dans un lieu verrouillé pour éviter toute utilisation ou accident indésirable.
- Rangez l'appareil dans un lieu sec et bien aéré.
- Rangez l'appareil hors de la portée des enfants.

ENTREPOSAGE DE LONGUE DURÉE

Si vous comptez entreposer l'appareil pendant une longue période, appliquez la procédure suivante:

1. Videz tout le carburant du réservoir dans un récipient contenant le même mélange 2-temps. N'utilisez pas de carburant stocké pendant plus de 60 jours. Éliminez le vieux mélange de carburant conformément aux règlements fédéral, provincial et municipal en vigueur.
2. Démarrez le moteur, puis laissez-le tourner jusqu'à ce qu'il cale. Cela permet de s'assurer que le carburateur s'est vidé de son carburant.
3. Laissez le moteur refroidir. Retirez la bougie et versez environ 30 ml (1 oz) d'huile moteur ou d'huile moteur 4-temps de qualité dans le cylindre. Tirez lentement sur la corde de démarrage pour bien distribuer l'huile. Remplacez la bougie.

REMARQUE : retirez la bougie et videz toute l'huile du cylindre avant de mettre en marche la désherbeuse après une période d'entreposage.

4. Nettoyez soigneusement l'appareil et vérifiez qu'il ne comporte pas de pièces desserrées ou endommagées. Réparez ou remplacez les pièces endommagées, puis serrez les vis, écrous et boulons desserrés. L'appareil est alors prêt pour l'entreposage.

TRANSPORT

- Laissez le moteur refroidir avant le transport.
- Attachez bien l'appareil lors du transport.
- Videz tout le carburant de l'appareil.
- Serrez le bouchon du réservoir avant le transport.

ACCESSOIRES/PIÈCES DE RECHANGE

Huile 2-temps	147543
Bougie	610311
Pare-étincelles	182747
Fil de remplacement	180120
Cartouche de fil de remplacement	147345
Ressort du moulinet intérieur	610636
Bobine extérieure	683301
Moulinet intérieur	147495
Bouton de butée	180814
Bouchon du carburant	180000
Bandoulière	682075

Vous pouvez vous procurer ces pièces de rechange auprès de votre concessionnaire agréé.

DÉPANNAGE

LE MOTEUR REFUSE DE DÉMARRER

CAUSE

Réservoir de carburant vide
La poire d'amorçage n'a pas été pressée assez fort
Moteur noyé
Carburant vieux ou mal mélangé
Bougie encrassée
Pare-étincelles colmaté
Le levier EZ-Start^{MC} n'était pas dans la bonne position

SOLUTION

Remplissez-le de carburant bien mélangé.
Pressez-la complètement et lentement de 10 fois
Utilisez la procédure de démarrage
Drainez le réservoir/ajoutez du carburant frais
Remplacez ou nettoyez-la
Nettoyez ou remplacez le pare-étincelles
Bougez le levier pour démarrer

LE MOTEUR REFUSE DE SE METTRE AU RALENTI

CAUSE

Filtre à air bouché
Carburant vieux ou mal mélangé
Mauvais réglage du carburateur

SOLUTION

Remplacez ou nettoyez-le
Drainez le réservoir/ajoutez du carburant frais
Ajustez selon l'instruction

LE MOTEUR REFUSE D'ACCÉLÉRER

CAUSE

Carburant vieux ou mal mélangé
Mauvais réglage du carburateur
Accessoire de coupe engorgé d'herbes
Filtre à air sale
Pare-étincelles colmaté

SOLUTION

Drainez le réservoir/ajoutez du carburant frais
Faites-le régler par un concessionnaire agréé
Arrêtez le moteur et nettoyez l'accessoire
Remplacez ou nettoyez-le
Nettoyez ou remplacez le pare-étincelles

LE MOTEUR MANQUE DE PUISSANCE OU SE CALE DURANT LA COUPE

CAUSE

Carburant vieux ou mal mélangé
Mauvais réglage du carburateur
Bougie encrassée
Pare-étincelles colmaté

SOLUTION

Drainez le réservoir/ajoutez du carburant frais
Faites-le régler par un concessionnaire agréé
Remplacez ou nettoyez-la
Nettoyez ou remplacez le pare-étincelles

LA TÊTE DE COUPE NE FAIT PAS AVANCER LE FIL

CAUSE

Accessoire de coupe engorgé d'herbes
Accessoire de coupe mal aligné
Moulinet intérieur bloqué
Tête de coupe sale
Fil soudé

Fil tordu durant la recharge
Quantité insuffisante de fil exposée

SOLUTION

Arrêtez le moteur et nettoyez l'accessoire
Chargez du fil neuf
Remplacez le moulinet
Nettoyez le moulinet intérieur et la bobine extérieure
Démontez et déposez la partie soudée, et rembobinez le fil
Démontez puis rembobinez le fil
Enfoncez le bouton de butée et tirez le fil jusqu'à en extraire 102 mm (4 po) à l'extérieur de l'accessoire de coupe

LE FIL DE COUPE AVANCE DE MANIÈRE INCONTRÔLÉE

CAUSE

Présence d'huile dans la tête de coupe

SOLUTION

Nettoyez l'accessoire de coupe

Si vous avez besoin d'aide, contactez votre concessionnaire agréé.

CARACTÉRISTIQUES

MOTEUR*

Type de moteur	Refroidi par air, 2-temps
Course	31,75 mm (1,25 po)
Cylindrée	31 cc (1,9 po ³)
Type d'embrayage	Centrifuge
Régime ralenti	2.800 - 4.000 tr/min
Régime de fonctionnement	7.200+ tr/min
Type d'allumage.....	Électronique
Contact d'allumage.....	Interrupteur berceau
Écartement de la bougie.....	0,5 mm (0,020 po)
Lubrification	Mélange carburant/huile
Rapport carburant/huile.....	40/1
Carburateur	Membrane, toutes positions
Démarrateur.....	Rembobinage automatique
Silencieux.....	Chicane avec protection
Accélérateur	Rappel manuel
Capacité du réservoir de carburant.....	355 ml (12 oz)

ARBRE D'ENTRAÎNEMENT et ACCESSOIRE DE COUPE*

Logement de l'arbre d'entraînement.....	Tube en acier
Manette des gaz.....	Détente à portée du doigt avec déverrouilleur
Poids de l'appareil (à vide, avec accessoire de coupe et protecteur, et poignée en J).....	6,69 kg (14,75 lb)
Mécanisme de coupe.....	Lame de coupe à 4 dents, tête de coupe à fil double
Bobine de fil	Déclencheur de fil à butée
Diamètre de la bobine de fil.....	101,6 mm (4 po)
Diamètre du fil.....	2,41 mm (0,095 po)
Diamètre du chemin de coupe, accessoire de coupe	45,7 cm (18 po)
Diamètre du chemin de coupe, lame de coupe.....	204 mm (8 po)
Harnais d'épaule.....	Fermeur rapide unique

*Toutes les spécifications contenues dans ce manuel tiennent compte des dernières informations techniques disponibles au moment de mettre sous presse. Nous nous réservons le droit d'y apporter des modifications à tout moment, sans préavis.

Garantie portant sur les normes antipollution de l'EPA

Vos droits et obligations en vertu de cette garantie

La Environmental Protection Agency et MTD LLC (MTD) ont le plaisir de présenter la garantie du dispositif antipollution des petits moteurs à usage tout-terrain datant de 2002 et au-delà. Les nouveaux petits moteurs à usage tout-terrain doivent être conçus, construits et équipés pour être conformes aux strictes normes anti-smog. Ryobi doit garantir le système de contrôle des émissions de votre petit moteur à usage tout-terrain pendant les périodes de temps indiquées ci-dessous à condition que le moteur n'ait pas souffert d'abus, de négligence ou fait l'objet d'un mauvais entretien.

Votre dispositif antipollution peut inclure des pièces diverses tel que le carburateur ou un système d'injection, le dispositif d'allumage et un convertisseur catalytique. Il pourrait aussi inclure des tuyaux, courroies, connecteurs et autres ensembles de pièces relatives aux émissions.

Advenant une situation couverte par la garantie, Ryobi réparera votre petit moteur à usage tout-terrain sans frais aucun y compris le diagnostic, les pièces et la main d'œuvre.

Les moteurs à usage tout-terrain datant de 2002 et plus sont garantis pendant deux ans. Si une pièce de votre moteur relative aux émissions devenait défectueuse, Ryobi la réparera ou la remplacera.

Responsabilités du propriétaire en vertu de cette garantie

- En tant que propriétaire d'un petit moteur à usage tout-terrain, vous êtes responsable des entretiens requis indiqués dans votre manuel de l'utilisateur. Ryobi recommande que vous conserviez tous les reçus d'entretien de votre petit moteur à usage tout-terrain. Ryobi ne peut toutefois réfuter votre garantie juste parce que vous n'avez pas les reçus ou si vous ne veillez pas à ce que les travaux d'entretien prévus soient effectués.
- En tant que propriétaire d'un petit moteur à usage tout-terrain, sachez que Ryobi peut refuser de vous couvrir sous garantie si votre moteur ou si une pièce sont défectueux pour cause d'abus, de négligence, d'entretien incorrect ou de modifications non autorisées.
- Il vous incombe de présenter votre petit moteur à usage tout-terrain à un centre de service agréé Ryobi dès que le problème fait son apparition. Les réparations sous garantie doivent être achevées dans une durée de temps raisonnable ne dépassant en aucun cas 30 jours.

Si vous avez des questions au sujet de vos droits et responsabilités en vertu de cette garantie, appelez le 1-800-345-8746.

Garantie du fabricant

- La période de garantie commence à la date où le moteur ou l'équipement est livré à l'acheteur au détail.
- Le fabricant garantit au propriétaire initial et à chaque acheteur subséquent que le moteur est libre de défauts de matériaux et de vices de fabrication pouvant provoquer la défaillance d'une pièce garantie pendant une période de deux ans.
- Toute réparation ou remplacement d'une pièce garantie devra être effectué sans aucun frais au compte du propriétaire par un centre de service Ryobi agréé. Pour connaître le centre le plus proche de vous, veuillez contact Ryobi à : 1-800-345-8746.
- Toute pièce garantie dont le remplacement n'est pas prévu dans le cadre des entretiens requis, ou dont uniquement une inspection normale est prévue selon le principe de "réparation ou remplacement au besoin", est garantie pendant la période de garantie. Toute pièce garantie dont le remplacement est prévu dans le cadre des entretiens requis sera garantie pendant la période de temps allant jusqu'à la date du premier remplacement prévu pour cette pièce.
- Le propriétaire ne subira pas de frais relatifs à un travail de diagnostic qui conclut que la pièce garantie est défectueuse si le travail de diagnostic a été effectué chez un centre de service Ryobi agréé.
- Le fabricant est responsable de tous les dommages occasionnés aux autres composants du moteur par la défaillance d'une pièce encore sous garantie.
- Les défaillances causées par l'abus, la négligence ou un mauvais entretien ne sont pas couvertes par cette garantie.
- L'utilisation d'un ajout ou de pièces modifiées peut justifier le refus d'une réclamation au titre de la garantie. Le fabricant n'est pas responsable des défaillances des pièces garanties découlant de l'utilisation d'ajouts ou de pièces modifiées.
- Pour déposer une réclamation, adressez-vous au centre de service Ryobi agréé le plus proche. Les services ou réparations sous garantie sont offerts par tous les centres de service Ryobi agréés.
- Toutes les pièces de rechange approuvées par le fabricant peuvent être utilisées dans le cadre d'un entretien ou d'une réparation sous garantie de pièces relatives au dispositif antipollution et sont fournies sans frais. Toute pièce de rechange équivalente en termes de performances ou de durabilité peut être utilisée lors d'un entretien ou d'une réparation hors garantie et ne diminue pas les obligations qui incombent au fabricant en vertu de la garantie.
- Les composants suivants sont inclus dans la garantie relative au système antipollution du moteur : filtre à air, carburateur, poire d'amorçage, conduites de carburant, alimentation d'arrivée, filtre à carburant, module d'allumage, bougie et silencieux.

GARANTIE LIMITÉE DU FABRICANT POUR:

RYOBI®

La garantie limitée énoncée ci-après est accordée par MTD LLC. ("MTD") et concerne les marchandises neuves achetées et utilisées aux Etats-Unis, ainsi que dans leurs possessions et territoires.

MTD garantit ce produit contre tout vice de matière ou de façon pendant une période de deux (2) ans à compter de la date d'achat initiale et elle se réserve le choix de réparer ou de remplacer, à titre gratuit, toute pièce présentant un vice de matière ou de façon. Cette garantie limitée ne s'appliquera que dans la mesure où le produit aura été utilisé et entretenu conformément au Guide de l'utilisateur fourni avec le produit et n'aura pas fait l'objet d'un usage inadéquat, abusif, commercial ou négligent, d'un accident, d'un entretien inadéquat, d'une modification, de vandalisme, d'un vol, d'un incendie, de dégâts des eaux ou d'un endommagement résultant d'un autre péril ou d'un désastre naturel. Les dommages résultants de l'installation ou de l'utilisation de tout accessoire ou équipement non approuvé par MTD pour une utilisation avec le(s) produit(s) couvert(s) par le présent guide annuleront la garantie et ce qui concerne les dommages qui en résulteraient éventuellement.

La présente garantie est limitée à quatre-vingt-dix (90) jours à compter de la date d'achat au détail primitive pour tout produit MTD utilisé à des fins locatives ou commerciales, ou toute utilisation produisant des revenus.

POUR L'ENTRETIEN-DEPANNAGE : L'Entretien-dépannage au titre de la garantie est disponible, SUR PRESENTATION DE PREUVE D'ACHAT, AUPRES DU CONCESSIONNAIRE REPARATEUR LOCAL. Pour obtenir le nom du concessionnaire local, consulter les Pages Jaunes ou se mettre en rapport avec le Service après-vente de MTD LLC. en appelant le 1-800-345-8746 ou en écrivant au P.O. Box 361131, Cleveland OH 44136-0019 ou en appelant le 1-800-668-1238 au Canada. Aucun produit retourné à l'usine sans permission écrite préalable du service après-vente de MTD LLC ne sera accepté.

La garantie limitée n'offre aucune couverture dans les cas suivants :

- A. Mises au point – Bougies, réglages de carburateur, filtres
- B. Articles d'usure – Dispositif d'avance de fil, bobines extérieures, fil de coupe, bobines intérieures, poulie de démarrage, cordons de démarrage, courroies d'entraînement
- C. MTD n'accorde aucune garantie pour les produits vendus ou exportés des Etats-Unis, de leurs possessions et territoires, exception faite en ce qui concerne les produits vendus par l'intermédiaire de ses canaux agréés de distribution à l'exportation.

MTD se réserve le droit de modifier ou d'améliorer la conception de tout produit RYOBI® sans assumer l'obligation de modifier tout produit d'une fabrication plus ancienne.

Aucune garantie implicite, y compris toute garantie de valeur marchande ou d'adaptation à une fin particulière, ne s'applique après la période applicable de garantie expresse écrite ci-dessus concernant les pièces qui sont identifiées. Aucune autre garantie ou caution expresse, écrite ou orale, à l'exception de celle mentionnée ci-dessus, accordée par toute personne ou entité, y compris tout concessionnaire ou détaillant, concernant tout produit n'engagera la responsabilité de MTD. Pendant la période de garantie, le remède exclusif est la réparation ou le remplacement du produit dans les conditions énoncées ci-dessus. (Certains états ne permettent la limitation de la garantie implicite, il est donc possible que la limitation ci-dessus ne s'applique pas à vous.)

Les clauses énoncées dans la présente Garantie constituent le recours unique et exclusif inhérent aux ventes. MTD ne sera en aucun cas tenue pour responsable de tout dommage indirect ou consécutif ou de dommages comprenant, entre autres mais pas seulement, les dépenses encourues du fait du recours à des services de remplacement ou de substitution pour l'entretien des gazons, le transport ou des frais connexes, ou les frais entraînés par une location destinée à remplacer provisoirement un produit sous garantie. (Certains états ne permettent la limitation de la garantie implicite, il est donc possible que la limitation ci-dessus ne s'applique pas à vous.)

Aucun recouvrement, quel qu'il soit, ne sera d'un montant supérieur au prix du produit vendu. Toute modification des dispositifs de sécurité du produit annulera la présente Garantie. Vous assumez tout risque et toute responsabilité résultant de la perte, de l'endommagement ou de préjudice que vous et votre propriété et/ou d'autres et leur propriété pourront encourir d'un fait de l'utilisation normale, de la mauvaise utilisation ou de l'empêchement d'utiliser le produit.

La présente garantie limitée n'est accordée qu'à l'acheteur primitif, au preneur primitif ou à la personne à laquelle le produit a été offert.

Le Droit des Etats vis à vis de la présente garantie : La présente garantie vous confère certains droits juridiques, et vous pouvez bénéficier d'autres droits, lesquels varient d'un état à l'autre.

Pour obtenir l'adresse du concessionnaire réparateur le plus proche, composer le :
1-800-345-8746 aux Etats-Unis ou le
1-800-668-1238 au Canada.

MTD LLC

P.O. Box 361131

Cleveland, OH 44136-0019

CONSERVEZ CES INSTRUCTIONS POUR TOUTE RÉFÉRENCE ULTÉRIEURE.

**POUR TOUTES QUESTIONS, VEUILLEZ CONTACTER LE 1-800-345-8746 AUX ÉTATS-UNIS
OU LE 1-800-668-1238 AU CANADA**

**GUIDE DE L'UTILISATEUR PARTIE NUMÉRO 769-00561
IMPRIME AUX ÉTATS-UNIS**

12/02

RYOBI®

780r

Recortador / Cortamalezas de 2 ciclos a Gasolina

MANUAL DEL OPERADOR



SI TIENE PREGUNTAS, LLAME AL 1-800-345-8746 en EE.UU.
o al 1-800-668-1238 en CANADA
www.RyobiOutdoor.com

ESTE MANUAL ES IMPORTANTE

NO LO DESECHE

INTRODUCCION

MUCHAS GRACIAS

Gracias por haber adquirido este gran producto. Esta moderna herramienta motriz de exteriores está diseñada para brindarle muchas horas de servicio útil. Usted comprobará que es un artefacto que le ahorrará mucho trabajo. Este manual del operador le brinda instrucciones de operación de fácil comprensión. Lea todo el manual y siga todas las instrucciones para mantener su nueva herramienta motriz de exteriores en las mejores condiciones de funcionamiento.

REFERENCIAS, ILUSTRACIONES Y ESPECIFICACIONES DEL PRODUCTO

Toda la información, las ilustraciones y las especificaciones contenidas en este manual se basan en la información más reciente disponible en el momento de impresión del manual. Nos reservamos el derecho de hacer cambios en cualquier momento sin aviso previo.

Copyright© 2003 MTD SOUTHWEST INC
Todos los derechos reservados.

Bump Head™ es una marca de MTD SOUTHWEST INC.
SplitLine™ es una marca de MTD SOUTHWEST INC.

INFORMACION DEL SERVICIO

El servicio de esta unidad, ya sea durante o después del periodo cubierto por la garantía, debe ser realizado solamente por un proveedor de servicios autorizado y aprobado.

Llame al:

- Llame al **1-800-345-8746** en los Estados Unidos o **1-800-668-1238** en Canadá, para obtener una lista de distribuidores de servicio localizados cerca de usted.

o

- Vaya a **www.RyobiOutdoor.com** en la Red Mundial World Wide Web para obtener una lista de distribuidores de servicios localizados cerca de usted

No regrese su unidad al vendedor.

NOTA: PARA SOLICITAR SERVICIO POR LA GARANTIA, DEBERA PRESENTAR PRUEBA DE SU COMPRA.

Antes de arrancar u operar este equipo, asegúrese de leer y comprender bien este manual.

ESTE PRODUCTO ESTA CUBIERTO POR UNA O MAS PATENTES DE EE.UU., OTRAS PATENTES EN TRAMITE.

INDICE DE CONTENIDOS

I.	Advertencia de la Proposición 65 de California	E 3
II.	Normas para una operación segura	E3-E7
	A. Importante información de seguridad	E4
	B. Símbolos de seguridad e internacionales	E6
	C. Conozca su unidad	E7
III.	Instrucciones de ensamble	E8-E11
	A. Instalación y ajuste de la manija en J	E8
	B. Instalación del arnés	E9
	C. Remoción e instalación del protector accesorio de corte	E9
	D. Remoción del accesorio de corte e instalación de la cuchilla de corte	E9
	E. Remoción de la cuchilla de corte e instalación del accesorio de corte	E11
IV.	Información del aceite y del combustible	E12
V.	Instrucciones de arranque y apagado	E13
VI.	Instrucciones de operación	E14-E15
	A. Cómo sostener el recortador	E14
	B. Ajuste de la longitud de la línea de corte	E14
	C. Consejos para lograr un mejor corte	E14
	D. Recorte decorativo	E15
	E. Uso de la cuchilla de corte	E15
VII.	Instrucciones de mantenimiento y reparación	E16-E21
	A. Programa de mantenimiento	E16
	B. Instalación de la línea	E16
	C. Instalación de un carrete prebobinado	E18
	D. Mantenimiento del filtro de aire	E18
	E. Mantenimiento del parachispas	E19
	F. Ajuste del carburador	E20
	G. Cambio de la bujía de encendido	E20
	H. Limpieza	E21
	I. Almacenamiento	E21
	J. Almacenamiento prolongado	E21
	K. Accesorios y piezas de repuesto	E21
VIII.	Cuadro de resolución de problemas	E22
IX.	Especificaciones	E23
X.	Garantía	E28
XI.	Lista de Piezas	Contraportada

CONTENIDO DE LA CAJA

- Recortador / Cortador de malezas modelo 780r
- Δ Accesorio de corte de Bump Head grande
- Δ Cuchilla de corte de malezas de 4 púas
- Δ Manija en J y piezas
- Protector accesorio de corte y piezas
- Arnés para el hombro
- Herramienta de varilla de cierre
- Manual del operador
- Tarjeta de registro del producto
- Botella de aceite de 2 ciclos

Δ Este elemento estará instalado en la unidad o en el paquete de piezas

ADVERTENCIA DE LA PROPOSICIÓN 65 DE CALIFORNIA



ADVERTENCIA

LAS EMISIONES DEL MOTOR DE ESTE PRODUCTO CONTIENEN SUBSTANCIAS QUIMICAS QUE EL ESTADO DE CALIFORNIA CONOCE COMO CAUSANTES DE CANCER, DEFECTOS DE NACIMIENTO U OTROS DAÑOS REPRODUCTIVOS.

AMORTIGUADOR DE CHISPAS

NOTA: Para los usuarios en tierras forestales de los EE.UU. y en los estados de California, Maine, Oregon y Washington. Toda la tierra forestal de EE.UU. y del estado de California *Códigos de Recursos Públicos 4442 y 4443), Oregon y Washington requieren, por ley, que ciertos motores de combustión operados en áreas de pasturas forestales o recubiertas con césped estén equipados con un amortiguador de chispas, que sean mantenidos en buenas condiciones de funcionamiento, o que el motor sea construido, equipado y mantenido para la prevención de incendios. Consulte con sus autoridades estatales o locales acerca de las normas relativas a dichos requisitos. Si no cumple con estos requisitos, usted podría ser legalmente responsable o recibir una multa. Esta unidad viene equipada de fábrica con un amortiguador de chispas. **Si necesita cambiarlo, solicite que su centro LOCAL DE SERVICIOS instale el accesorio N° 182747, equipo amortiguador de chispas.**

¡ADVERTENCIA!

Lea el manual del operador y siga todas las advertencias e instrucciones de seguridad. De no hacerlo, el operador y/o los espectadores pueden sufrir graves lesiones.

SI TIENE PREGUNTAS, LLAME AL 1-800-345-8746 EN EE.UU. O AL 1-800-668-1238 en CANADA

NORMAS PARA UNA OPERACION SEGURA

Los símbolos de seguridad se utilizan para llamar su atención sobre posibles peligros. Los símbolos de seguridad y sus explicaciones merecen toda su atención y comprensión. Los símbolos de seguridad no eliminan ningún peligro por sí mismos. Las instrucciones o advertencias que ofrecen no substituyen las medidas adecuadas de prevención de accidentes.

SIMBOLO SIGNIFICADO

NOTA: Le ofrece información o instrucciones que son esenciales para la operación o mantenimiento del equipo.



SIMBOLO DE ALERTA DE SEGURIDAD: Indica peligro, advertencia o precaución. Debe prestar atención para evitar sufrir graves lesiones personales. Puede ser utilizado junto con otros símbolos o figuras.

SIMBOLO SIGNIFICADO



PELIGRO: El no obedecer una advertencia de seguridad puede conducir a que usted u otras personas sufran graves lesiones. Siga siempre las precauciones de seguridad para reducir el riesgo de incendio, descarga eléctrica y lesiones personales.



ADVERTENCIA: El no seguir una advertencia de seguridad puede conducir a que usted u otras personas sufran lesiones. Siga siempre las precauciones de seguridad para reducir el riesgo de incendio, descarga eléctrica y lesiones personales.



PRECAUCION: El no seguir una advertencia de seguridad puede conducir a daño patrimonial o a que usted u otras personas sufran lesiones personales. Siga siempre las precauciones de seguridad para reducir el riesgo de incendio, descarga eléctrica y lesiones personales.

NORMAS PARA UNA OPERACION SEGURA

• IMPORTANTE INFORMACION DE SEGURIDAD •

LEA TODAS LAS INSTRUCCIONES

ANTES DE LA OPERACION

- Lea todas las instrucciones con cuidado. Conozca bien los controles y el uso correcto de la unidad.
- No opere esta unidad si está cansado, enfermo, o bajo los efectos del alcohol, drogas o medicamentos.
- Los niños y los adolescentes menores de 15 años no deben operar las unidades, excepto por los adolescentes guiados por un adulto.
- Inspeccione la unidad antes de utilizarla. Cambie las partes dañadas. Verifique si existen pérdidas de combustible. Asegúrese de que los sujetadores estén bien colocados y asegurados. Cambie las partes accesorias de corte que estén quebradas, cascadas o dañadas de cualquier forma. Asegúrese de que el accesorio de corte está bien instalado y ajustado con firmeza. Asegúrese de que la protección accesorio de corte esté bien conectada y colocada según se recomienda.
- Use sólo línea de repuesto Genuine Factory Parts™ de 0.095 pulgadas (2.41 mm) de diámetro. No use nunca línea reforzada con metal, alambre, cadena ni sogas, etc. Estas pueden desprenderse y convertirse en un proyectil peligroso.
- Tenga en cuenta el riesgo de lesiones en la cabeza, manos y pies.
- Limpie el área de corte antes de cada uso. Retire todos los objetos como rocas, vidrios rotos, clavos, alambre o cuerda los cuales pueden ser despedidos o enredarse en el accesorio de corte. Aleje a todos los niños, espectadores y animales domésticos. Mantenga todos los niños, espectadores y animales domésticos a un radio de por lo menos 50 pies (15 m); aún así puede existir un riesgo de objetos despedidos contra los espectadores. Los espectadores deben usar protección para sus ojos. Si alguien se le acerca, pare el motor y el accesorio de corte de inmediato.
- Oprima el control del regulador y verifique que regrese automáticamente a la posición de mínima. Haga todos los ajustes o reparaciones antes de usar la unidad.

ADVERTENCIAS DE SEGURIDAD PARA LOS RECORTADORES A GASOLINA

ADVERTENCIA: La gasolina es muy inflamable y sus gases pueden explotar si se encienden. Tome las siguientes precauciones:

- Guarde el combustible en envases que hayan sido diseñados y aprobados para el almacenamiento de dichos materiales.
- Antes de llenar el tanque de combustible, apague siempre el motor y espere que se enfríe. No retire nunca la tapa del tanque de combustible ni cargue combustible mientras el motor esté caliente. No opere nunca la unidad sin la tapa del combustible colocada firmemente en su lugar. Afloje la tapa del combustible lentamente para disipar la presión del tanque.
- Mezcle y cargue el combustible en un área exterior bien ventilada donde no haya chispas ni llamas. Quite lentamente la tapa del combustible sólo después de apagar el motor. No fume mientras carga o mezcla el combustible. Limpie de inmediato todo el combustible que se haya derramado.
- Evite crear una fuente de encendido por combustible derramado. No arranque el motor hasta que se hayan disipado los vapores del combustible.

- Aleje la unidad a por lo menos 30 pies (9.1 m.) del lugar de carga de combustible antes de arrancar el motor. No fume, mantenga las chispas y las llamas abiertas lejos del área mientras carga el combustible u opera la unidad.

DURANTE LA OPERACION

- No arranque ni opere la unidad en una sala o edificio cerrado. Los gases de escape de monóxido de carbono pueden ser letales en un área cerrada. Opere esta unidad sólo en un área exterior bien ventilada.
- Use lentes o gafas de protección que cumplan con las normas ANSI Z87.1, y protección para sus oídos/audición mientras opere esta unidad. Use siempre una máscara facial o para protegerse contra el polvo si la operación levanta polvo.
- Use pantalones largos y gruesos, botas, guantes y camisa de manga larga. No use ropa holgada, alhajas, pantalones cortos, sandalias ni esté descalzo. Sostenga el cabello sobre el nivel de los hombros.
- La protección accesorio de corte debe estar siempre colocada en su lugar mientras opere la unidad. No opere la unidad con las dos líneas de corte extendidas, y la línea correcta instalada. No extienda la línea de corte más allá de la longitud de la protección.
- Esta unidad cuenta con un embrague. El accesorio de corte permanece estacionario cuando el motor está en marcha lenta. Si no lo hace, haga ajustar la unidad por un técnico de servicio autorizado.
- Ajuste la manija en J a su tamaño de modo que le brinde el mejor agarre.
- Asegúrese de que el accesorio de corte no está en contacto con ningún objeto antes de arrancar la unidad.
- Use la unidad únicamente con la luz del día o con buena luz artificial.
- Evite arrancar la unidad accidentalmente. Colóquese en posición de inicio siempre que tire de la cuerda de arranque. El operador y la unidad deben estar en una posición estable al comenzar. Lea las *instrucciones de Arranque y Apagado*.
- Use la herramienta adecuada. No use esta unidad para ninguna tarea para la cual no ha sido diseñada.
- No se estire demasiado. Mantenga siempre una posición y equilibrio adecuados.
- Sostenga siempre la unidad con ambas manos mientras esté en funcionamiento. Sostenga con firmeza tanto el mango como la manija auxiliar.
- Mantenga las manos, la cara y los pies lejos de todas las partes móviles. No intente tocar ni detener el accesorio de corte mientras gira.
- No toque el motor, el bastidor del engranaje ni el silenciador. Estas partes se calientan mucho con la operación. Luego de apagar la unidad, permanecen calientes durante un tiempo breve.
- No opere el motor a una velocidad mayor que la necesaria para cortar, recortar o recortar los bordes. No haga funcionar el motor a alta velocidad mientras no está cortando.

NORMAS PARA UNA OPERACION SEGURA

- Apague siempre el motor cuando demore el corte o mientras camina entre zonas de corte.
- Si golpea o se enreda con algún objeto extraño, apague el motor de inmediato y verifique si hay daños. Repare todos los daños antes de volver a intentar operar la unidad. No opere la unidad si tiene piezas flojas o dañadas.
- Apague el motor para realizar todo el mantenimiento, reparaciones o cambio del accesorio de corte u otros accesorios.
- Use sólo piezas y accesorios de repuesto Genuine Factory Parts™ para esta unidad. Puede obtenerlos en su proveedor de servicio autorizado. El uso de piezas y accesorios que no son Genuine Factory Parts™ puede causar graves lesiones al operador o el daño de su unidad, y la cancelación de su garantía.
- Mantenga la unidad libre de vegetación y otros materiales. Pueden alojarse entre el accesorio de corte y la protección.
- Para reducir el riesgo de incendio, cambie los silenciadores y amortiguadores de chispas defectuosos, mantenga el motor y el silenciador libre de pasto, hojas, grasa excesiva o acumulaciones de carbono.

MIENTRAS USA LA CUCHILLA DE CORTE

- Lea y comprenda todas las advertencias de seguridad antes de operar esta unidad.
- Use siempre el arnés del hombro mientras opere el accesorio de la cuchilla de corte.
- Mantenga siempre la manija entre el operador y el accesorio o cuchilla de corte.
- NUNCA corte con la cuchilla ubicada a más de 30 pulgadas (76 cm.) o más de altura sobre el nivel del suelo.
- Cuando la cuchilla giratoria hace contacto con un objeto que no corta de inmediato, puede ocurrir un impulso de la cuchilla. El impulso de la cuchilla puede ser lo suficientemente violento como para hacer que la unidad y/o el operador sean impulsados en cualquier dirección, y posiblemente perder el control de la unidad. El impulso de la cuchilla puede ocurrir si la cuchilla se tropieza, se traba o se atasca. Es más posible que esto ocurra en áreas donde es difícil ver el material que está cortando.
- Cuando opere con la cuchilla, no corte nada que tenga un grosor de más de 1/2 pulgada ya que podría causar una reacción violenta.
- No intente tocar ni detener la cuchilla mientras está girando.
- Una cuchilla en deslizamiento puede causar graves lesiones mientras continúa girando luego de apagar el motor o de soltar el gatillo del regulador. Mantenga buen control hasta que la cuchilla se haya detenido por completo.
- No haga funcionar la unidad a alta velocidad mientras no está cortando.

- Si golpea o se enreda con un objeto extraño, detenga el motor de inmediato y verifique si hay daños. Haga reparar todos los daños antes de intentar volver a operar la unidad. No opere esta unidad con la cuchilla doblada, cascada ni desafilada. Descarte las cuchillas dobladas, torcidas, cascadas o rotas.
- No afile la cuchilla de corte. Si afila la cuchilla puede desprenderse la punta durante su uso. Esto puede causar graves lesiones personales. Cambie la cuchilla.
- No use la cuchilla de corte para bordes o como recortadora de borde, puede conducir a que usted u otras personas sufran graves lesiones. Use la cuchilla de corte solamente para el propósito descrito en este manual.
- Si siente una vibración excesiva, apague el motor DE INMEDIATO. la vibración indica que hay problemas. Inspeccione si hay tuercas o pernos flojos o daños antes de continuar. Repare o cambie las partes afectadas según sea necesario.

DESPUES DEL USO

- Limpie las cuchillas de corte con un limpiador doméstico para eliminar toda acumulación de goma. Aceite la cuchilla con aceite de máquina para evitar que se oxide.
- Guarde la cuchilla de corte bajo llave en un área adecuada para evitar que sea utilizada por personas no autorizadas y se dañe.

OTRAS ADVERTENCIAS DE SEGURIDAD

- No guarde nunca la unidad con combustible en el tanque en un edificio donde los gases puedan llegar a una llama abierta o a una chispa.
- Espere que el motor se enfríe antes de guardar o transportar la unidad. Asegúrese de que la unidad esté segura al transportarla.
- Guarde la unidad bajo llave en un lugar adecuado y seco para evitar que sea usada por personas no autorizadas y se dañe, fuera del alcance de los niños.
- Nunca moje ni rocíe la unidad con agua ni con ningún otro líquido. Mantenga las manijas secas, limpias y sin residuos. Limpie la unidad luego de cada uso, lea las instrucciones de *Limpieza y Almacenamiento*.
- Guarde estas instrucciones. Consúltelas con frecuencia y utilícelas para enseñar a otros usuarios. Si le presta esta unidad a alguien, préstele también estas instrucciones.

GUARDE ESTAS INSTRUCCIONES

NORMAS PARA UNA OPERACION SEGURA

SIMBOLOS DE SEGURIDAD E INTERNACIONALES

Este manual del operador describe los símbolos y figuras de seguridad e internacionales que pueden aparecer en este producto. Lea el manual del operador para obtener información completa acerca de la seguridad, ensamble, operación y mantenimiento y reparación.

SIMBOLO

SIGNIFICADO



• SIMBOLO DE ALERTA DE SEGURIDAD

Indica peligro, advertencia o precaución. Puede ser utilizado junto con otros símbolos o figuras.



• ADVERTENCIA - LEA EL MANUAL DEL OPERADOR

Lea el manual del operador y siga todas las advertencias e instrucciones de seguridad. De no hacerlo, el operador y/o los espectadores pueden sufrir graves lesiones.



• USE PROTECCION OCULAR Y AUDITIVA

ADVERTENCIA: Los objetos arrojados por la unidad y el ruido fuerte pueden causar graves lesiones oculares y pérdida auditiva. Utilice protección ocular que cumpla con las normas ANSI Z87.1 y protección auditiva cuando opere esta unidad. Use una careta completa cuando la necesite.



• MANTENGA ALEJADOS A LOS ESPECTADORES

ADVERTENCIA: Mantenga a todos los espectadores, en especial a niños y animales domésticos a por lo menos 50 pies (15 m.) del área de corte.



• COMBUSTIBLE SIN PLOMO

Use siempre combustible limpio, nuevo y sin plomo.



• INDICADOR DE ACEITE

Consulte el manual del operador para obtener información acerca del tipo correcto de aceite.



• LOS OBJETOS DESPEDIDOS Y LA CUCHILLA ROTATIVA PUEDEN CAUSAR GRAVES LESIONES

ADVERTENCIA: No opere esta unidad si la protección plástica de línea no está colocada en su lugar. Manténgase alejado del accesorio de corte giratorio.

SIMBOLO

SIGNIFICADO



• CONTROL DE ENCENDIDO Y APAGADO

ENCENDIDO /ARRANQUE /MARCHA



• CONTROL DE ENCENDIDO Y APAGADO

APAGADO O PARADO



• ADVERTENCIA DE SUPERFICIE CALIENTE

No toque un silenciador ni un cilindro caliente. Puede quemarse. Estas partes se calientan mucho con el uso. Luego de apagarse permanecen calientes durante un corto tiempo.



• CUCHILLA AFILADA

ADVERTENCIA: La protección del accesorio de corte contiene una cuchilla afilada. Para prevenir graves lesiones, no toque la cuchilla.



• CORTADORAS DE MALEZAS • Cambie la cuchilla desafilada

No afile la cuchilla de corte. El afilar la cuchilla puede causar que la punta se desprenda mientras está en uso. Esto puede dar lugar a graves lesiones personales.



• SEGURIDAD DE LA RECORTADORA Y CORTADORA DE MALEZAS

ADVERTENCIA: Los objetos que salen despedidos y la cortadora giratoria pueden causar graves lesiones. Mantenga a los espectadores, especialmente a los niños y animales domésticos a no menos de 50 pies (15 m) de distancia del área de corte. Debe utilizar el protector accesorio de corte mientras use el accesorio de corte de la recortadora.

NORMAS PARA UNA OPERACION SEGURA

CONOZCA SU UNIDAD

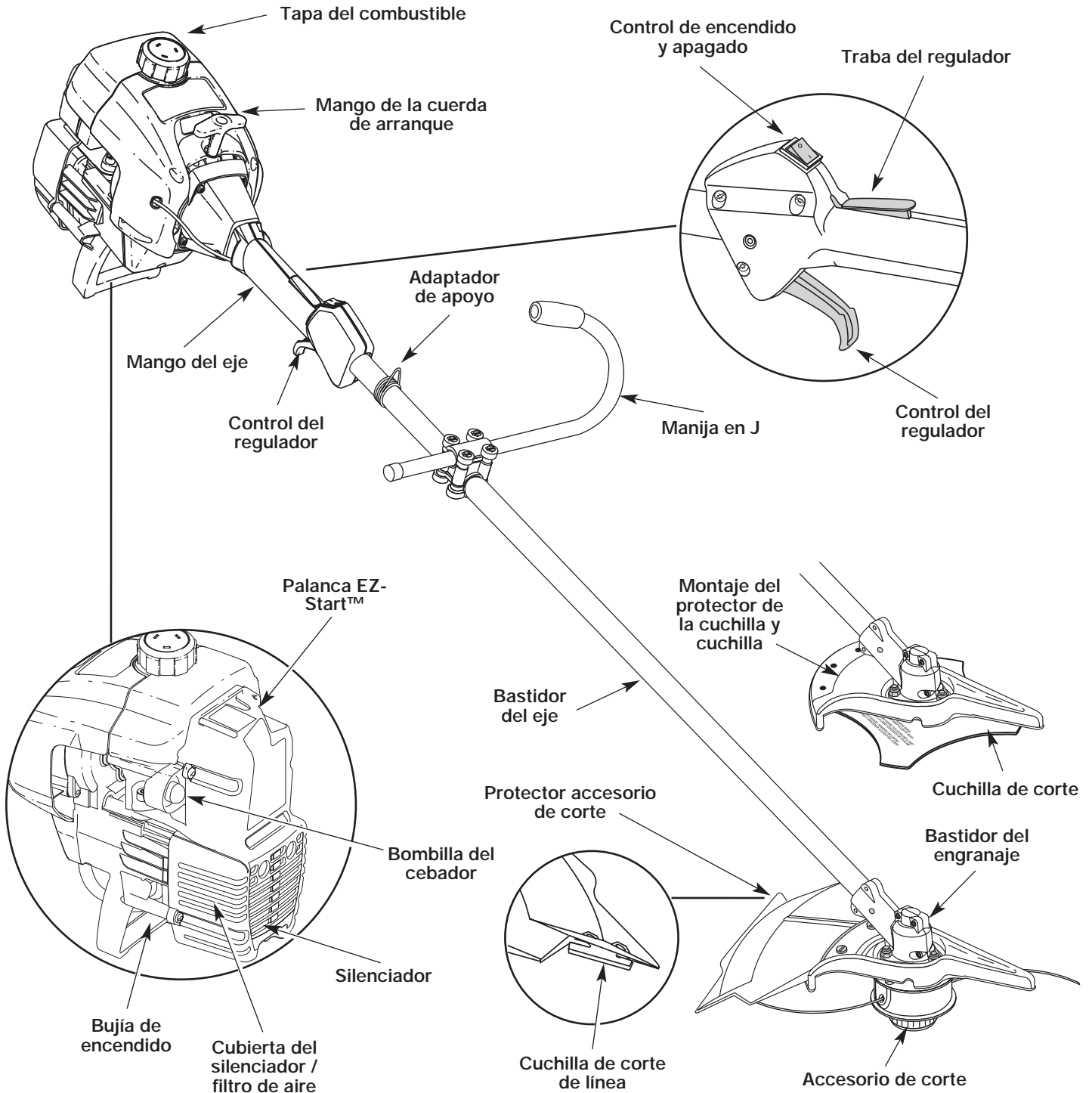
APLICACIONES

Como recortador:

- Corte de césped y hierbas delgadas
- Recorte de bordes
- Recorte decorativo alrededor de árboles, cercos, etc.

Como cortador de malezas:

- Corte de hierbas y arbustos delgados de hasta 1/2 pulgada de diámetro



INSTRUCCIONES DE ENSAMBLE

En algunas unidades, la manija en J puede estar ya instalada y sólo requiere aflojar los tornillos y ajustar la manija en J de acuerdo con el operador. Proceda al paso 6 para ajustar la manija en J si ya está instalada.

INSTALACIÓN Y AJUSTE DE LA MANIJA EN J

Instalación

1. Saque los tornillos, tuercas y las abrazaderas media y superior que se instalaron en la manija en J para su envío.
2. Coloque la manija en J entre la abrazadera superior y la abrazadera media (Fig. 1).

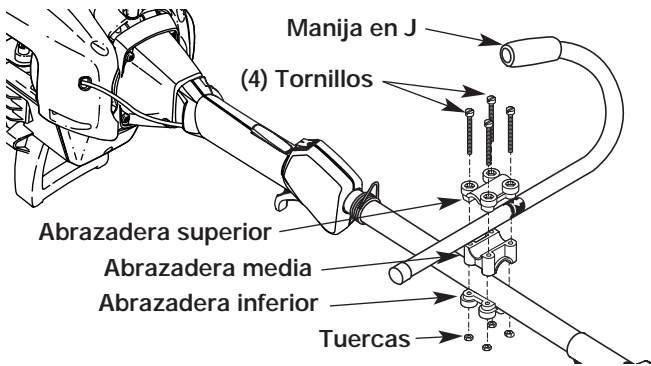


Fig. 1

3. Mientras sostiene las tres piezas juntas, instale los cuatro (4) tornillos a través de la abrazadera superior en la abrazadera media.

NOTA: Los orificios de la abrazadera superior y media se alinearán sólo cuando se ensamble en forma correcta.

4. Coloque las abrazaderas y la manija en J por encima del bastidor del eje y sobre la abrazadera inferior.
5. Sostenga cada tuerca hexagonal en el hueco de la abrazadera inferior con un dedo. Comience a colocar los tornillos con un destornillador Phillips grande. No los apriete hasta ajustar la manija.

Ajuste

6. Afloje los tornillos de modo que la manija en J pueda moverse fácilmente en el ensamble de abrazaderas. No saque los tornillos ni las tuercas.
7. Deslice la manija en J hacia dentro o hacia fuera hasta que la flecha o línea blanca de la calcomanía toque el ensamble de abrazaderas (Fig. 2).

8. Mientras sostiene la unidad en posición de operación (Fig. 3), coloque la manija en J en la posición que le brinde el mejor agarre.
9. Ajuste los tornillos de la abrazadera en forma pareja hasta que la manija en J esté firme.

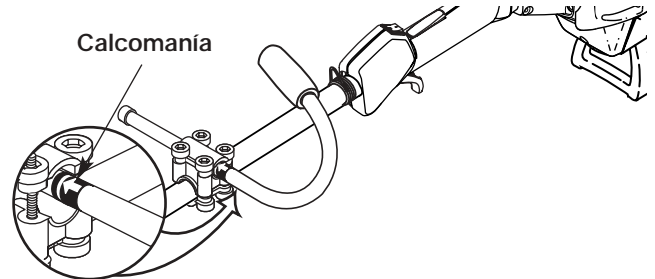


Fig. 2



Fig. 3

INSTRUCCIONES DE ENSAMBLE

INSTALACIÓN DEL ARNÉS



ADVERTENCIA: Use siempre el arnés para el hombro cuando use la cuchilla de corte a fin de evitar graves lesiones personales.

1. Pase la correa a través del centro de la hebilla.
2. Pase la correa sobre la barra transversal y hacia abajo a través de la ranura de la hebilla (Fig. 4).
3. Coloque el arnés por encima de su cabeza y sobre su hombro. Abroche en el adaptador de apoyo (Fig. 5).
4. Ajuste la longitud de acuerdo a la medida del operador. Tire de la orejeta para alargarlo y tire de la correa para acortarlo (Fig. 6).

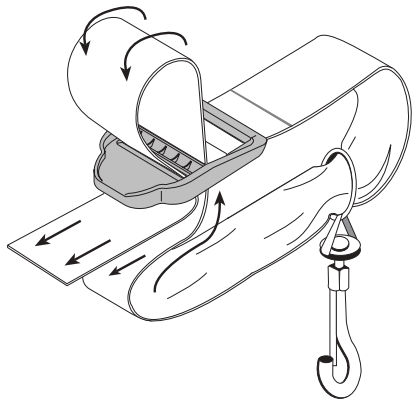


Fig. 4

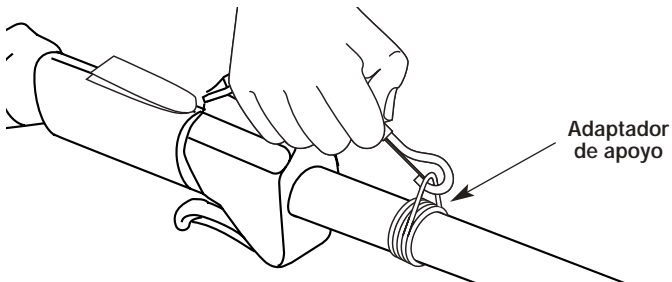


Fig. 5

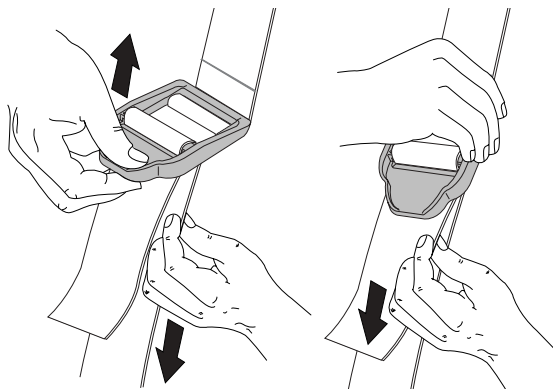


Fig. 6

REMOCIÓN E INSTALACIÓN DEL PROTECTOR ACCESORIO DE CORTE

Saque el protector accesorio de corte cuando use la unidad como cortador de malezas



ADVERTENCIA: El protector accesorio de corte NO debe estar instalado cuando use la unidad con una cuchilla. Saque el protector accesorio de corte antes de sacar o instalar la cuchilla.

Saque el protector accesorio de corte del montaje del protector retirando los tres (3) tornillos con un destornillador de vástago plano (Fig. 7). Guarde las piezas para usarlas en el futuro.

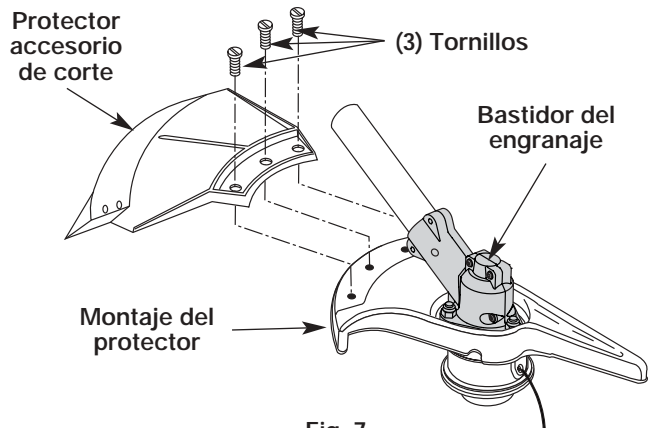


Fig. 7

Instale el protector accesorio de corte cuando use la unidad como recortador de césped.



ADVERTENCIA: Para evitar graves lesiones personales, el protector accesorio de corte DEBE estar instalado en todo momento cuando use la unidad como recortador de césped.

Instale el protector accesorio de corte en el montaje del protector insertando tres (3) tornillos en el montaje del protector. Ajuste bien con un destornillador de vástago plano (Fig. 7).

REMOCIÓN DEL ACCESORIO DE CORTE E INSTALACIÓN DE LA CUCHILLA DE CORTE

NOTA: Para facilitar la remoción o la instalación de la cuchilla de corte o del accesorio de corte, coloque la unidad sobre el suelo o sobre un banco de trabajo.

Remoción del protector accesorio de corte

Lea *Remoción e Instalación del Protector Accesorio de Corte*.

Remoción del accesorio de corte



ADVERTENCIA: El bastidor del engranaje se calienta mucho con el uso y puede causar lesiones al operador. Cuando la unidad se apaga, permanece caliente durante un rato. No toque el bastidor del engranaje hasta que se haya enfriado.

INSTRUCCIONES DE ENSAMBLE

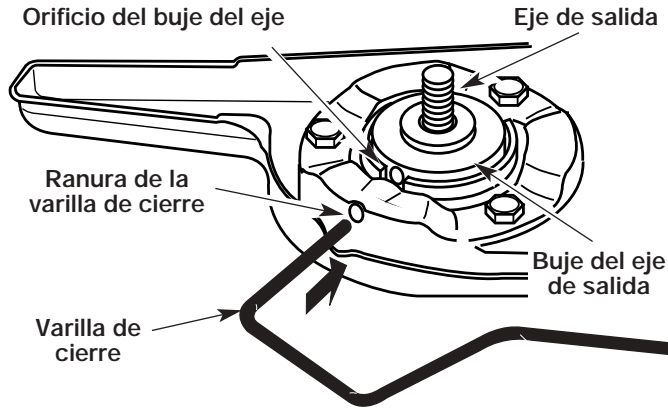


Fig. 8

1. Alinee el orificio del buje del eje con la ranura de la varilla de cierre e inserte la varilla de cierre en el orificio del buje del eje (Fig. 8).
2. Sostenga la varilla de cierre en su lugar junto al brazo de la unidad (Fig. 9).
3. Mientras sostiene la varilla de cierre, saque el accesorio de corte girando en sentido horario hacia afuera del eje de salida (Fig. 10). Guarde el accesorio de corte para su uso futuro.

NOTA: El retén de la cuchilla debajo del accesorio de corte se utilizará cuando instale la cuchilla de corte.

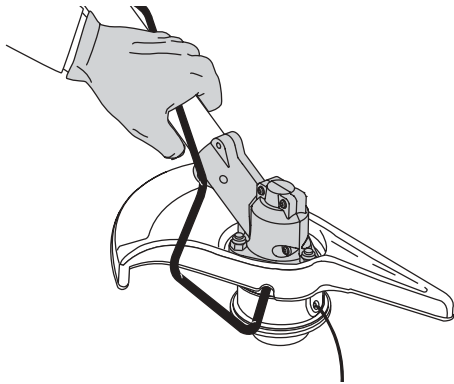


Fig. 9

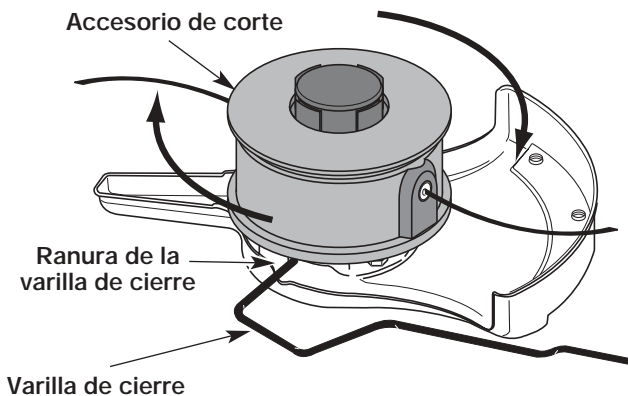


Fig. 10

Instalación de la cuchilla de corte



ADVERTENCIA: Para evitar graves lesiones personales, use siempre guantes cuando maneje o instale la cuchilla.

4. Coloque la cuchilla de corte en el buje del eje de salida (Fig. 11).
5. Verifique que la cuchilla de corte esté centrada en el estribo de guía y quede plana contra el buje del eje de salida (Fig. 12).



ADVERTENCIA: Si la cuchilla de corte no está centrada, la unidad vibrará y la cuchilla puede desprenderse y salir volando, lo cual puede causar graves lesiones personales.

6. Alinee el orificio del buje del eje con la ranura de la varilla de cierre e inserte la varilla de cierre en el orificio del buje (Fig. 8).
7. Coloque el retén de la cuchilla y la tuerca en el eje de salida. Verifique que la cuchilla esté bien instalada.

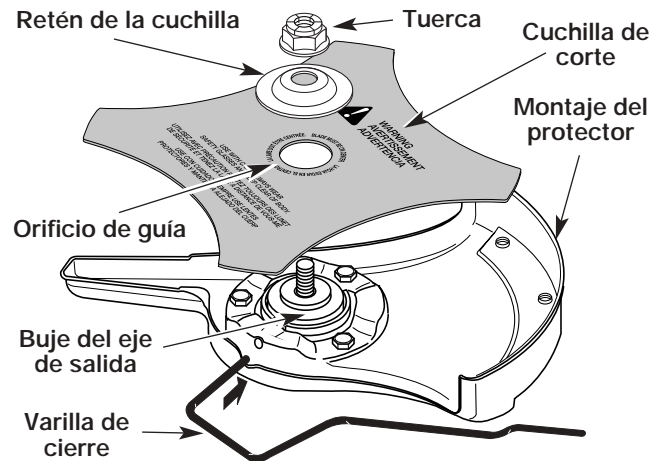


Fig. 11



Fig. 12

INSTRUCCIONES DE ENSAMBLE

8. Ajuste la tuerca en sentido antihorario contra la cuchilla mientras sostiene la varilla de cierre;
 - Si usa una llave de torsión y un casquillo de 5/8 de pulgada, ajuste a:
 - 325 - 335 pulgadas • libra,
 - 27 - 28 pies • libra,
 - 37 -38 N•m.
 - Si no tiene una llave de torsión, use una llave de boca cerrada de 5/8 de pulgada o de casquillo, gire la tuerca hasta que el retén de la cuchilla esté ajustado contra el buje del eje. Verifique que la cuchilla esté bien instalada, luego gire la tuerca 1/4 a 1/2 vuelta más en sentido antihorario (Fig. 13).

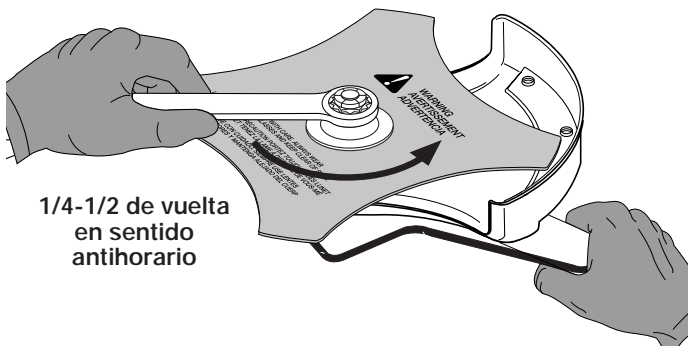


Fig. 13

9. Saque la varilla de cierre de la ranura de la varilla de cierre.



ADVERTENCIA: Para evitar graves lesiones personales o el daño de la unidad, no arranque ni use esta unidad con la varilla de cierre en la ranura de la varilla de cierre.



ADVERTENCIA: No afile la cuchilla de corte. Afilar la cuchilla puede causar que la punta se desprenda durante el uso. Esto puede causar graves lesiones personales. Cambie la cuchilla.

REMOCIÓN DE LA CUCHILLA DE CORTE E INSTALACIÓN DEL ACCESORIO DE CORTE

Remoción de la cuchilla de corte



ADVERTENCIA: Si la cuchilla de corte no está centrada, la unidad vibrará y la cuchilla puede desprenderse y salir volando, lo cual puede causar graves lesiones personales.

1. Alinee el orificio del buje del eje con la ranura de la varilla de cierre e inserte la varilla de cierre en el orificio del buje (Fig. 8).
2. Sostenga la varilla de cierre en su lugar junto al brazo de la unidad (Fig. 14).
3. Mientras sostiene la varilla de cierre, afloje la tuerca de la cuchilla girándola en sentido horario con una llave de casquillo o de boca cerrada de 5/8 de pulgada (Fig. 14).

4. Saque la tuerca, el retén de la cuchilla y la cuchilla. Guarde la tuerca y la cuchilla juntas en un lugar seguro para su uso futuro. Guarde fuera del alcance de los niños.

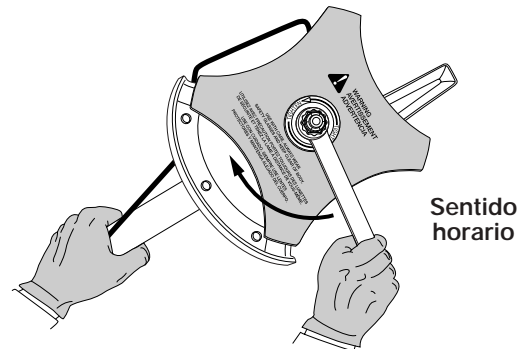


Fig. 14

Instalación del accesorio de corte

5. Alinee el orificio del buje del eje con la ranura de la varilla de cierre e inserte la varilla de cierre en el orificio del buje del eje (Fig. 8). Coloque el retén de la cuchilla en el eje de salida con la superficie plana contra el buje del eje de salida según se ilustra en la Fig. 15. Enrosque el accesorio de corte en sentido antihorario en el eje de salida. Ajuste bien.

NOTA: El retén de la cuchilla debe estar instalado en el eje de salida en la posición ilustrada para que el accesorio de corte funcione en forma correcta.

6. Saque la varilla de cierre.

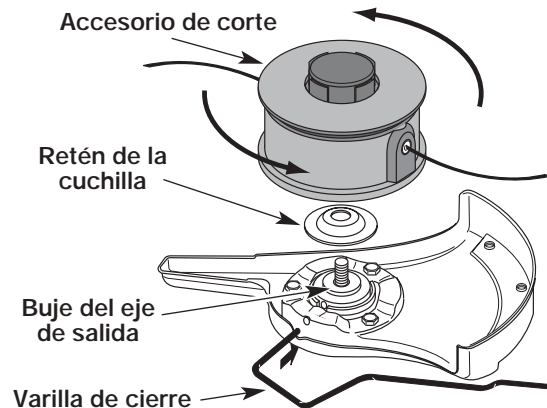


Fig. 15

7. Instale el protector accesorio de corte. Lea *Remoción e instalación del protector accesorio de corte*.



ADVERTENCIA: Para evitar graves lesiones personales, el protector accesorio de corte DEBE estar instalado en todo momento cuando use la unidad como recortador de césped.

INFORMACION DEL ACEITE Y DEL COMBUSTIBLE

INSTRUCCIONES PARA MEZCLAR EL ACEITE Y EL COMBUSTIBLE

El combustible viejo o mal mezclado son los motivos principales del mal funcionamiento de la unidad. Asegúrese de usar combustible nuevo, limpio y sin plomo. Siga las instrucciones en detalle para mezclar correctamente el aceite y el combustible.

Definición de los combustibles de mezcla

Los combustibles actuales con frecuencia son una mezcla de gasolina y oxigenantes como por ejemplo etanol, metanol o MTBE (éter). El combustible mezclado con alcohol absorbe agua. Una cantidad tan pequeña como el 1% de agua en el combustible puede causar la separación del combustible y el aceite. Forma ácidos cuando está almacenado. Cuando use combustible mezclado con alcohol, use combustible nuevo (de menos de 60 días).

Uso de combustibles de mezcla


Si usted opta por usar un combustible de mezcla o si su uso es inevitable, tome las precauciones recomendadas.

- Use siempre una mezcla fresca de combustible según lo indica su manual del operador.
- Agite siempre la mezcla de combustible antes de cargarlo en la unidad.
- Drene el tanque y haga funcionar el motor en seco antes de guardar la unidad.

Uso de aditivos en el combustible



La botella de aceite de 2 ciclos que vino con su unidad contiene un aditivo en el combustible que ayudará a inhibir la corrosión y a reducir la formación de depósitos de goma. Se recomienda que use sólo el aceite de 2 ciclos con esta unidad.

Si es inevitable, use un buen aceite de 2 ciclos elaborado para motores enfriados por aire junto con un aditivo para el combustible como por ejemplo el estabilizador de gasolina STA-BIL® o similar. Agregue 23 ml (0,8 onzas) de aditivo de combustible por galón de combustible de acuerdo con las instrucciones del envase. NUNCA agregue aditivos directamente en el tanque de combustible de la unidad.


 **PRECAUCION:** Para que el motor funcione correctamente y con la mayor fiabilidad, preste mucha atención a las instrucciones de mezcla de aceite y combustible del envase de aceite de 2 ciclos. El uso de combustible mezclado en forma incorrecta puede dañar seriamente el motor.


Mezcle bien la proporción correcta de aceite para motor de 2 ciclos y gasolina sin plomo en una lata de combustible por separado. Use una proporción de 40:1 de combustible y aceite. No los mezcle directamente en el tanque de combustible de la unidad. Consulte las proporciones específicas de mezcla de gasolina y aceite en la tabla siguiente.


NOTA: 3,8 litros (un galón) de gasolina sin plomo mezclada con una botella de 95 ml (3,2 onzas) de aceite de 2 ciclos es una proporción de 40:1 de combustible y aceite.

	+	
GASOLINA SIN PLOMO		ACEITE DE 2 CICLOS
3,8 LITERS (1 GALON de EE.UU.)		95 ml (3,2 ONZAS FLUIDAS)
1 LITER		25 ml

PROPORCION DE LA MEZCLA = 40 : 1

 **ADVERTENCIA:** La gasolina es muy inflamable. Los gases pueden explotar si se encienden. Apague siempre el motor y espere que se enfríe antes de cargar el tanque de combustible. No fume mientras llena el tanque. Mantenga las chispas y las llamas lejos del área.

 **ADVERTENCIA:** Saque la tapa del combustible lentamente para evitar lesionarse con el rociado del combustible. No opere nunca la unidad sin la tapa del combustible firmemente colocada en su lugar.

 **ADVERTENCIA:** Cargue el combustible en un área exterior limpia y bien ventilada. Limpie de inmediato todo combustible que se haya derramado. Evite crear una fuente de encendido con el combustible derramado. No arranque el motor hasta que se hayan evaporado los gases del combustible.

NOTA: Elimine la mezcla vieja de aceite y combustible de acuerdo con los reglamentos federales, estatales y locales.

INSTRUCCIONES DE ARRANQUE Y APAGADO

INSTRUCCIONES DE ARRANQUE



ADVERTENCIA: Use esta unidad sólo en un área exterior bien ventilada. Los gases de escape de monóxido de carbono pueden ser letales en un área cerrada.



ADVERTENCIA: Evite los arranques accidentales. Colóquese en posición de inicio cuando tire de la cuerda de arranque (Fig. 18). El operador y la unidad deben estar en una posición estable al arrancar la unidad para evitar graves lesiones personales.

1. Mezcle la gasolina con el aceite. Llene el tanque de combustible con la mezcla de combustible y aceite. Lea las *Instrucciones para mezclar aceite y combustible*.
2. Coloque el control de encendido y apagado en posición de **ENCENDIDO (I)** (Fig. 16).
3. Oprima y suelte por completo la bombilla del cebador lentamente de 10 veces. El combustible debe estar visible en la bombilla (Fig. 17). Si el combustible no está visible, oprima tres (3) veces más o hasta que lo vea.
4. Empuje la palanca EZ-Start™ hacia la izquierda hasta que encaje y se asegure en su lugar (Fig. 17).
5. Con la unidad en la posición de arranque (Fig. 18), **NO APRIETE EL CONTROL DE ACELERACIÓN**, hale la cuerda de arranque con fuerza 5 veces, la palanca EZ-Start™ debe estar hacia la izquierda. Si la unidad empieza a funcionar antes de la quinta tirada de la cuerda, avance hacia el Paso 6. Si el motor no comienza, regrese al Paso 3.

NOTA: Cuando arranca, la palanca EZ-Start™ se desactiva automáticamente cuando se aprieta el control de aceleración.

NOTA: Si la temperatura exterior o la temperatura del motor es más de 90°F y el motor no arranca después de 5 tirones, oprima totalmente el control del regulador y tire enérgicamente del cordón de arranque de 3 a 8 veces más. El motor deberá arrancar con estos tirones.

6. Oprima el control del regulador para calentar el motor de 5 a 10 segundos. La palanca EZ-Start™ se desactiva automáticamente (Fig. 17).

NOTA: Si el motor se ahoga antes de oprimir el control del regulador, oprima el control del regulador y tire hacia afuera del cordón de arranque hasta que arranque el recortador de bordes.

NOTA: Si el motor se apaga mientras aprieta el acelerador, avance hacia el Paso 4.

NOTA: A encender un motor caliente, comience en el Paso 4.

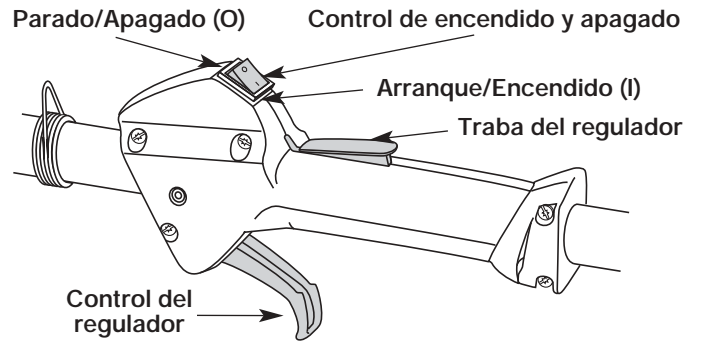


Fig. 16

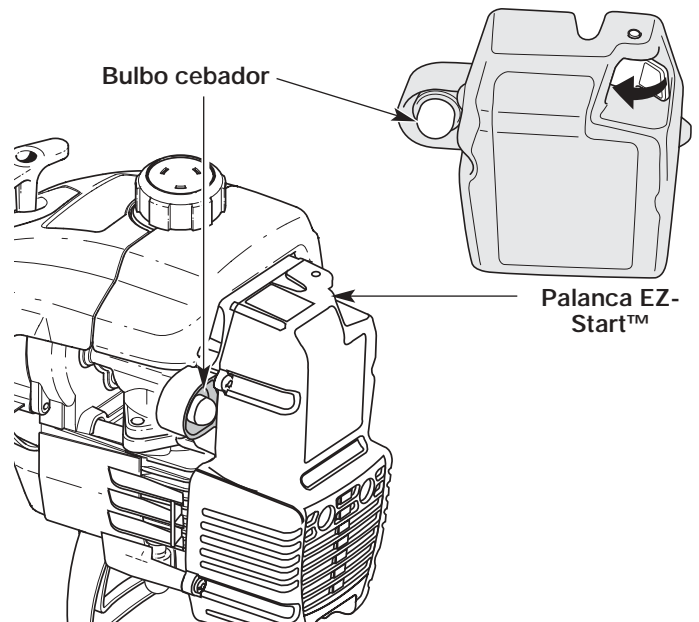


Fig. 17

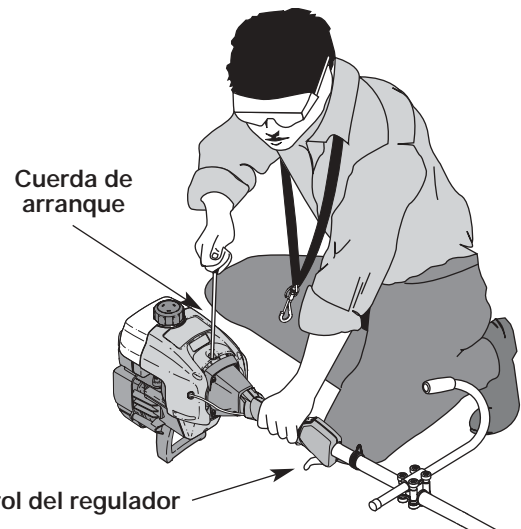


Fig. 18

INSTRUCCIONES DE APAGADO

1. Saque la mano del control del regulador (Fig. 18). Deje enfriar el motor en mínima.
2. Coloque el control de encendido y apagado en posición de **APAGADO (O)** (Fig. 16).

INSTRUCCIONES DE OPERACION

COMO SOSTENER EL RECORTADOR



ADVERTENCIA: Use siempre protección para sus ojos, audición, pies y cuerpo para reducir el riesgo de una lesión al operar esta unidad.

Antes de operar esta unidad, párese en posición de operación (Fig. 19). Verifique lo siguiente:

- El operador tiene protección ocular y ropa adecuada.
- El brazo derecho está levemente doblado, y la mano está sosteniendo el mango del eje.
- El brazo izquierdo está recto, y la mano está sosteniendo la manija.
- La unidad está debajo del nivel de la cintura.
- El accesorio de corte está paralelo al suelo y hace fácil contacto con la vegetación que va a ser cortada sin que el operador tenga que inclinarse.

Una vez que usted esté en la posición de funcionamiento, enganche la correa para el hombro a la unidad.



Fig. 19

AJUSTE DE LA LONGITUD DE LA LINEA DE CORTE

El accesorio de corte Bump Head™ le permite soltar línea de corte sin apagar el motor. Para soltar más línea, golpee suavemente el accesorio de corte contra el suelo (Fig. 20) mientras opera el recortador a alta velocidad.

NOTA: Mantenga siempre la línea de corte completamente extendida. Es más difícil soltar línea al acortarse la línea de corte.

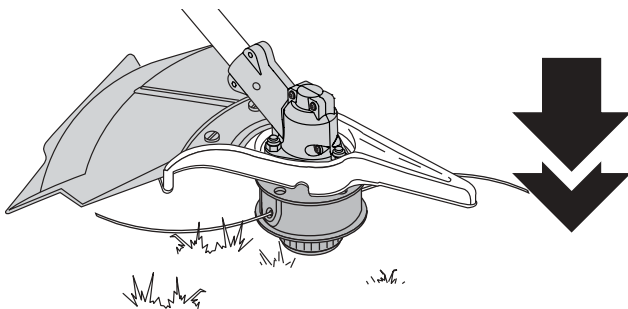


Fig. 20

Cada vez que se golpea la cabeza, se suelta alrededor de 1 pulgada (25.4 mm.) de línea de corte. La cuchilla en la protección del accesorio de corte detendrá la línea en la longitud correcta si se suelta demasiada línea.

Para obtener mejores resultados, golpee la Bump Head™ sobre terreno limpio o tierra dura. Si intenta soltar la línea sobre el césped alto, el motor podrá ahogarse. Mantenga siempre la línea de corte completamente extendida. Es más difícil soltar línea al acortarse la línea de corte.

NOTA: No apoye la Bump Head™ sobre el suelo mientras la unidad esté en funcionamiento.



PRECAUCION: No saque ni altere el ensamble de la cuchilla limitadora de línea. La longitud excesiva de la línea causará el recalentamiento del motor. Esto puede causar graves lesiones personales o daño a la unidad.

La línea puede cortarse por:

- Enredarse con un objeto extraño
- Fatiga normal de la línea
- Intentar cortar hierbas gruesas y leñosas
- Forzar la línea en objetos como paredes o postes de cercos

CONSEJOS PARA OBTENER MEJORES RESULTADOS AL RECORTAR

- Para mejores resultados que recortan, operar la unidad en válvula de admisión repleta.
- El ángulo correcto para ubicar el accesorio de corte es paralelo al suelo.
- No fuerce el accesorio de corte. Permita que la punta de la línea realice el corte (en especial a lo largo de paredes). Si corta con más de la punta reducirá la eficacia del corte y puede sobrecargar el motor.
- Corte césped de más de 8 pulgadas (200 mm.) trabajando de arriba hacia abajo en pequeños incrementos para evitar el desgaste prematuro de la línea y el arrastre del motor.
- Corte de izquierda a derecha siempre que sea posible. Cortar hacia la derecha mejora la eficiencia de la unidad. Los recortes salen arrojados en sentido contrario al operador.
- Mueva lentamente el recortador dentro y fuera del área de corte a la altura deseada. Realice movimientos ya sea de adelante hacia atrás y viceversa, o de lado a lado. El corte en longitudes más cortas produce mejores resultados.
- Recorte únicamente cuando el pasto y las hierbas estén secas.
- La vida de su línea de corte depende de:
 - Seguir todas las técnicas de corte indicadas anteriormente
 - El tipo de vegetación que corte
 - El lugar donde se corta

Por ejemplo, la línea se desgastará más rápido cuando corte contra un muro que cuando corte alrededor de un árbol.

INSTRUCCIONES DE OPERACION

RECORTE DECORATIVO

El recorte decorativo se realiza eliminando toda la vegetación de alrededor de los árboles, postes, cercos, etc. Gire toda la unidad a modo de que el accesorio de corte se ubique a un ángulo de 30° con el suelo (Fig 21).

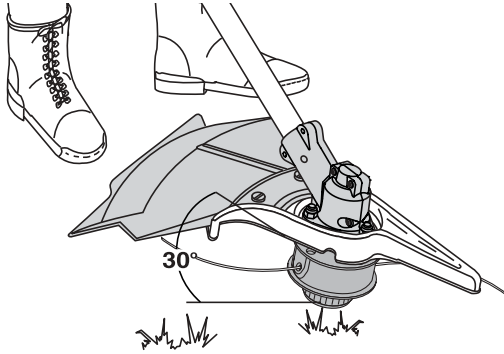


Fig. 21

USO DE LA CUCHILLA DE CORTE



ADVERTENCIA: Use siempre protección para sus ojos, audición, pies y cuerpo para reducir el riesgo de una lesión al operar esta unidad.



ADVERTENCIA: No use la cuchilla de corte para recortar bordes ni como un recortador de bordes, puede causar graves lesiones personales a usted o a los demás.

Antes de operar la unidad con la cuchilla de corte, párese en posición de corte (Fig. 22). Lea *Cómo sostener el Recortador*.

Consejos para el uso de la cuchilla de corte

Para establecer un procedimiento rítmico de corte:

- Fije los pies con firmeza, cómodamente aparte.
- Lleve el motor a plena regulación antes de penetrar el material a cortar. La cuchilla tiene su máxima capacidad de corte a plena regulación y también es menos probable que se adhiera, se trabe o cause el impulso de la cuchilla, lo cual puede causar graves lesiones personales al operador o a otros.



ADVERTENCIA: Cuando la cuchilla giratoria hace contacto con un objeto que no corta de inmediato, puede ocurrir el impulso de la cuchilla. El impulso de la cuchilla puede ser lo suficientemente violento como para hacer que la unidad y/o el operador sean impulsados en cualquier dirección, y posiblemente perder el control de la unidad. El impulso de la cuchilla puede ocurrir si la cuchilla se tropieza, se traba o se atora. Es más posible que esto ocurra en áreas donde es difícil ver el material que está cortando.

- Corte girando la parte superior de su cuerpo de izquierda a derecha.
- Suelte siempre el gatillo del regulador y espere que el motor vuelva a marcha lenta cuando no esté cortando.
- Cuando termine la labor, desabroche siempre la unidad antes de quitarse el arnés.



ADVERTENCIA: La cuchilla continúa girando luego de apagar el motor. La cuchilla en deslizamiento puede causar graves cortes si lo toca en forma accidental.

- Mueva la unidad en la dirección opuesta en que gira la cuchilla, con lo cual logrará una mejor acción de corte.
- Avance al área siguiente a cortar después de la maniobra de retorno, y vuelva a fijar los pies.
- La cuchilla de corte está diseñada con un segundo borde de corte, el cual puede ser utilizado retirando la cuchilla, dándola vuelta y volviendo a instalarla.



ADVERTENCIA: No afile la cuchilla de corte. Si afila la cuchilla, la punta puede desprenderse durante su uso. Esto puede causar graves lesiones personales a usted mismo o a los demás. Cambie la cuchilla.

Para reducir la posibilidad de que se enrede material en la cuchilla, siga estos pasos:

- Corte a plena regulación.
- Mueva la unidad de su izquierda a derecha hacia el material que va a cortar (Fig. 23).
- En el movimiento de retorno, evite tocar el material que acaba de cortar.



ADVERTENCIA: No limpie el material con el motor en marcha ni con la cuchilla girando. Para evitar graves lesiones personales, apague el motor. Espere que la cuchilla se detenga antes de sacar el material envuelto alrededor del eje de la cuchilla.



Fig. 22



Fig. 23

INSTRUCCIONES DE MANTENIMIENTO Y REPARACION

NOTA: Algunos procedimientos de mantenimiento pueden requerir el uso de herramientas o habilidades especiales. Si no está seguro acerca de estos procedimientos, lleve su unidad a un establecimiento de reparación, persona o distribuidor de servicio autorizado que arregle motores para uso fuera de la carretera.

PROGRAMA DE MANTENIMIENTO

Estos procedimientos requeridos para el mantenimiento deben ser realizados con la frecuencia indicada en la tabla. Deben ser incluidos como parte de toda puesta a punto de cada temporada.

	<p>ADVERTENCIA: Para evitar lesiones personales graves, nunca realice mantenimiento ni reparaciones con la unidad funcionando. Realice siempre el mantenimiento y las reparaciones con la unidad fría. Desconecte el cable de la bujía de encendido para cerciorarse de que la unidad no arrancará.</p>
--	----------------------------------------------------------------------------------------------------------------------------------------------------------------------------------------------------------------------------------------------------------------------------------------------------------------

FRECUENCIA	MANTENIMIENTO REQUERIDO	CONSULTE
Antes de arrancar el motor	Llene el tanque de combustible con la mezcla correcta de aceite y combustible	Página E12
Cada 10 horass	Limpie y vuelva a aceitar el filtro de aire	Página E18
Cada 25 horass	Examine el parachispas y límpielo Inspeccione la condición y la separación de la bujía de encendido	Página E19 Página E20
Cada 50 horas	Inspeccione si la lumbrera de escape y la rejilla del parachispas están tupidas u obstruidas para garantizar los niveles máximos de rendimiento	Página E19

INSTALACION DE LA LINEA

Esta sección cubre la instalación de la línea SplitLine™ y de la línea individual regular.

Use siempre línea de repuesto Genuine Factory Parts™ de 0.095 pulg. (2.41 mm). Una línea que no sea la indicada puede causar que el motor se recaliente o falle.

	<p>ADVERTENCIA: No use nunca línea reforzada con metal, alambre, cadena ni sogas, etc. Estos elementos pueden desprenderse y convertirse en un proyectil peligroso.</p>
--	--------------------------------------------------------------------------------------------------------------------------------------------------------------------------------

Existen dos métodos para cambiar la línea de corte.

- Bobine el carrete interior con línea nueva.
- Instale un carrete interior prebobinado

Bobinado del carrete interior existente

1. Sostenga la bobina exterior con una mano y desenrosque el botón de tope en sentido antihorario (Fig. 24). Inspeccione el perno de adentro del botón de tope para verificar que se mueva con libertad. Cambie el botón de tope si está dañado.

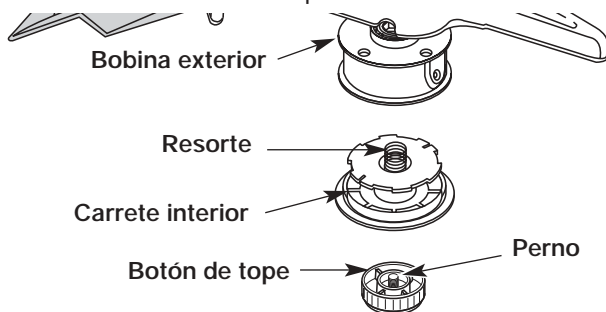


Fig. 24

NOTA: El mantenimiento, la sustitución o arreglo de dispositivos para el control de emisiones y sistemas pueden ser hechos por cualquier establecimiento de reparación, persona o proveedor de servicio autorizado que arregle motores para uso fuera de la carretera.

A fin de garantizar el máximo desempeño del motor, puede ser necesario inspeccionar la lumbrera de escape del motor después de 50 horas de funcionamiento. Si usted observa pérdida de RPM, funcionamiento deficiente o falta general de aceleración, es posible que sea necesario realizar este mantenimiento. Si usted considera que su motor necesita esta inspección, haga que un establecimiento de reparación, persona o proveedor de servicio autorizado que arregle motores para uso fuera de la carretera le preste el servicio. **NO** intente realizar este proceso usted mismo ya que puede ocasionar daños al motor producto de los contaminantes que se encuentran en el proceso de limpieza de la lumbrera.

2. Saque el carrete interior de la bobina exterior (Fig. 24).
3. Saque el resorte del carrete interior (Fig. 24).
4. Use un paño limpio para limpiar el carrete interior, el resorte, el eje y la bobina exterior (Fig. 25).
5. Verifique el desgaste de los dientes de posición del carrete interior y bobina exterior (Fig. 26). Si es necesario, saque la rebaba o cambie el carrete y la bobina.

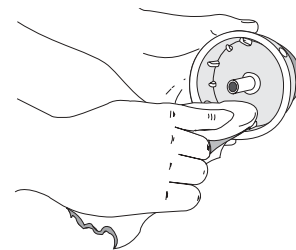


Fig. 25

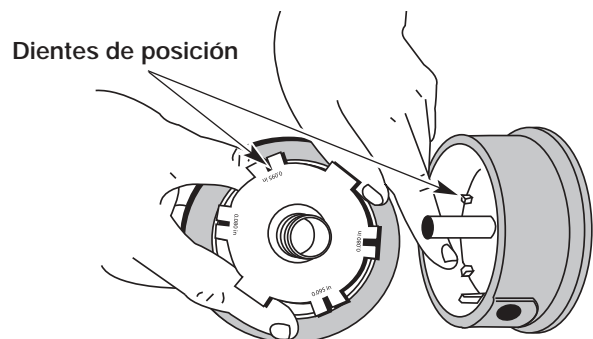
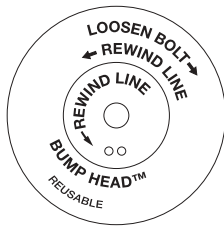


Fig. 26

INSTRUCCIONES DE MANTENIMIENTO Y REPARACION

Para usar SÓLO con línea individual



Para usar con SplitLine™ o línea individual

Orificios ranurados

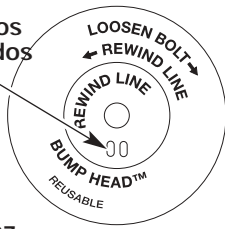


Fig. 27

NOTA: La línea SplitLine™ sólo puede usarse con el carrete interior con los orificios ranurados. La línea individual puede usarse en cualquier tipo de carrete interior. Use la Figura 27 para identificar el carrete interior que usted tiene.

NOTA: Use siempre la longitud correcta de línea cuando instale la línea de corte en la unidad. La línea puede no soltarse en forma adecuada si es demasiado larga.

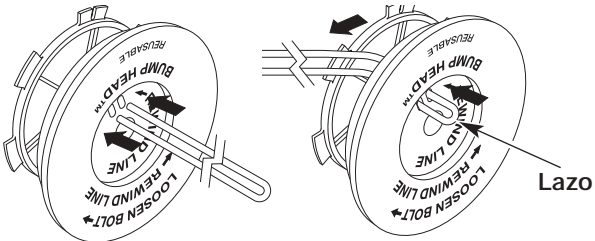


Fig. 28

Instalación de la línea individual

Lea la instalación de la línea SplitLine™ en el paso 8

6. Tome aproximadamente 40 pies (12.2 m) de nueva línea de corte, enlázela en dos longitudes iguales. Inserte cada extremo de la línea a través de uno de los dos orificios del carrete interior (Fig. 28). Pase la línea a través del carrete interior de modo que el lazo sea lo más pequeño posible.
7. Bobine las líneas en capas parejas y ajustadas sobre el carrete (Fig. 29). Bobine la línea en la dirección indicada en el carrete interior. Coloque su dedo índice entre las dos líneas para evitar que se superpongan. No superponga los extremos de la línea. Proceda al paso 11.

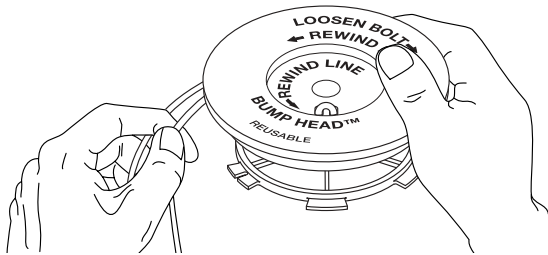


Fig. 29

Instalación de la línea SplitLine™

8. Tome aproximadamente 20 pies (6.1 m) de nueva línea de corte. Inserte un extremo de la línea a través de uno de los orificios del carrete interior (Fig. 30). Pase la línea a través del carrete interior hasta que queden sólo 4 pulgadas fuera.

9. Inserte el extremo de la línea en el orificio abierto del carrete interior y tire de la línea en forma ajustada a fin de que el lazo sea lo más pequeño posible (Fig. 30).
10. Antes de bobinar, separe la línea alrededor de 6 pulgadas.
11. Bobine la línea en capas parejas y ajustadas en la dirección indicada en el carrete interior.

NOTA: Si no bobina la línea en la dirección indicada, el accesorio de corte no funcionará en forma correcta.

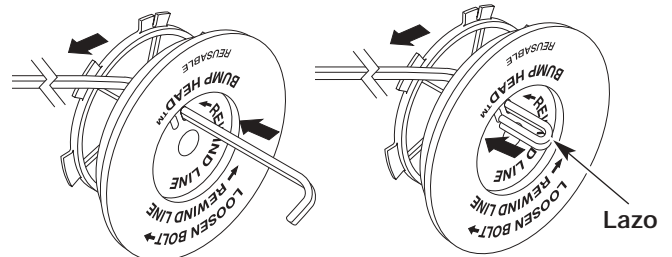


Fig. 30

12. Inserte los extremos de la línea en las dos ranuras de fijación (Fig. 31).
13. Inserte los extremos de la línea a través de los ojillos de la bobina exterior y coloque el carrete interior con el resorte dentro de la bobina exterior (Fig. 32). Empuje el carrete interior y la bobina exterior entre sí. Mientras sostiene el carrete interior y la bobina exterior, tome los extremos y tire con firmeza para soltar la línea de las ranuras de fijación de la bobina.

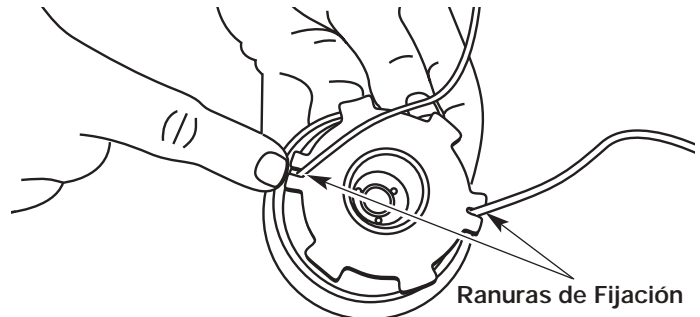


Fig. 31

NOTA: El resorte debe estar ensamblado en el carrete interior antes de volver a ensamblar el accesorio de corte.

14. Sostenga el carrete interior en su lugar e instale el botón de tope girándolo en sentido horario. Ajuste bien.

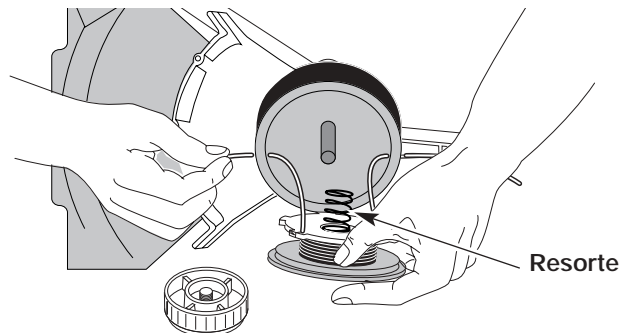


Fig. 32

INSTRUCCIONES DE MANTENIMIENTO Y REPARACION

INSTALACIÓN DE UN CARRETE PREBOBINADO

1. Sostenga la bobina exterior con una mano y desenrosque el botón de tope en sentido antihorario (Fig. 24). Inspeccione el perno dentro del botón de tope para verificar que se mueva con libertad. Cambie el botón de tope si está dañado.
2. Saque el carrete interior viejo de la bobina exterior (Fig. 24).
3. Saque el resorte del carrete interior viejo (Fig. 24).
4. Coloque el resorte en el carrete interior nuevo.

NOTA: El resorte debe estar ensamblado en el carrete interior antes de volver a instalar el accesorio de corte.

5. Inserte los extremos de la línea en los ojalillos de la bobina exterior (Fig. 32).
6. Coloque el nuevo carrete interior dentro de la bobina exterior. Empuje el carrete interior y la bobina exterior entre sí. Mientras sostiene el carrete interior y la bobina exterior, tome los extremos y tire con firmeza para soltar la línea de las ranuras de retención de la bobina.
7. Sostenga el carrete interior en su lugar e instale el botón de tope girándolo en sentido horario. Ajuste bien.

Piezas de repuesto

Lea *Piezas y Accesorios de Repuesto*.

MANTENIMIENTO DEL FILTRO DE AIRE

Remoción de la cubierta del silenciador/filtro de aire

1. Saque los cuatro (4) tornillos que sostienen la cubierta del silenciador / filtro de aire (Fig. 33). Use un destornillador de vástago plano o de broca Torx N° T20.
2. Saque la cubierta del motor. No la fuerce.



Fig. 33



ADVERTENCIA: Para evitar graves lesiones personales, apague siempre su recortador y espere que se enfríe antes de limpiarlo o realizar todo tipo de mantenimiento.

Limpieza del Filtro de Aire

Limpie y vuelva a aceitar el filtro de aire cada 10 horas de operación. Es una de las partes cuyo mantenimiento es importante. Si no realiza el mantenimiento del filtro de aire, su garantía quedará ANULADA.

1. Saque la cubierta del silenciador / filtro de aire. Lea la sección de *Remoción de la cubierta del silenciador / filtro de aire*.
2. Gire la tapa y ubique el filtro de aire adentro. Saque el filtro de aire de adentro de la tapa del filtro de aire / silenciador (Fig. 34).
3. Lave el filtro con agua y detergente (Fig. 35). Enjuague bien el filtro. Escorra el exceso de agua. Déjelo secar por completo.
4. Aplique suficiente aceite limpio SAE 30 para recubrir ligeramente el filtro (Fig. 36).
5. Apriete el filtro para esparcir y retirar el exceso de aceite (Fig. 37).

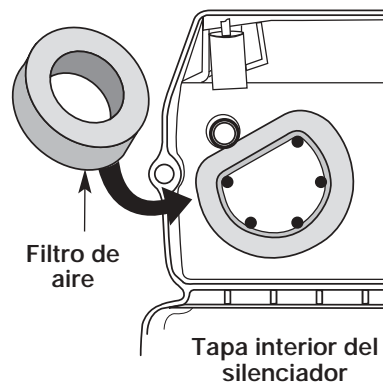


Fig. 34

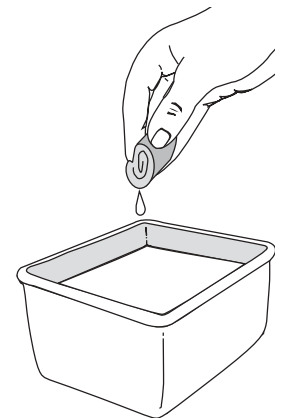


Fig. 35

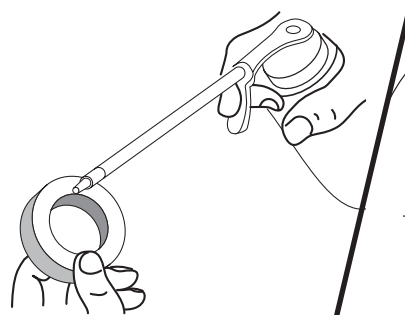


Fig. 36

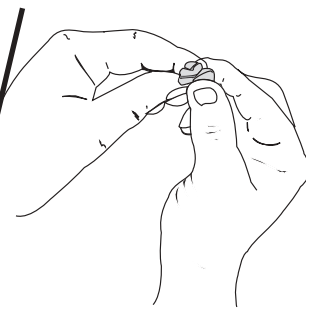


Fig. 37

6. Cambie el filtro de aire dentro de la tapa del filtro de aire / silenciador (Fig. 34).

NOTA: Si opera la unidad sin el filtro de aire y el ensamble de la cubierta del silenciador / filtro de aire, su garantía quedará ANULADA.

INSTRUCCIONES DE MANTENIMIENTO Y REPARACION

Reinstalación de la cubierta del silenciado / filtro de aire

1. Coloque la cubierta del silenciador / filtro de aire sobre la parte posterior del carburador y del silenciador. Alinee los orificios de los tornillos.
2. Inserte los cuatro (4) tornillos en los orificios de la cubierta del silenciador / filtro de aire (Fig. 33) y ajústelos. **No los ajuste demasiado.**

MANTENIMIENTO DEL PARACHISPAS

1. Quite el filtro de aire / tapa del silenciador. Ver *Remoción de la Tapa del Filtro / Silenciador*.
2. Ubique el frente del silenciador y los dos (2) pernos que lo sujetan al motor (Fig. 38). Quite los dos (2) pernos con un destornillador de punta plana, una llave de tubo de 5/16 o destornillador para tuercas. Hale el silenciador del motor.
3. Voltee el silenciador al lado posterior y ubique la junta de escape. Retire la junta de escape (Fig. 38).

NOTA: Si la junta de escape está torcida o dañada, ponga una nueva antes de volver a instalar el silenciador.

4. Despegue cuidadosamente el parachispas con un destornillador de punta plana del orificio en bajo relieve (Fig. 39). Quite el parachispas del silenciador.
5. Limpie el parachispas con un cepillo de cerdas metálicas. Cámbielo si está dañado o si no lo puede limpiar completamente (Fig. 39).
6. Reinstale el parachispas presionándolo dentro del orificio en bajo relieve de la parte posterior del silenciador. Asegúrese que encaje fijamente contra el silenciador y que no quede levantado.
7. Ponga la junta del silenciador contra el lado posterior del mismo. Alinee los orificios de los pernos de la junta del silenciador en el silenciador. Mientras sostiene la junta en su lugar, ponga los pernos en el lado frontal del silenciador (Fig. 38).
8. Ponga el silenciador con la junta en su lugar y los pernos insertados contra el motor, alineando los orificios de los pernos. Apriete los pernos contra el motor, para asegurar el silenciador.

Si usa una llave de torsión, ajuste a:
80-90 pulg. • libras (9-10.2 N•m).

9. Reinstale la tapa del filtro de aire / silenciador.

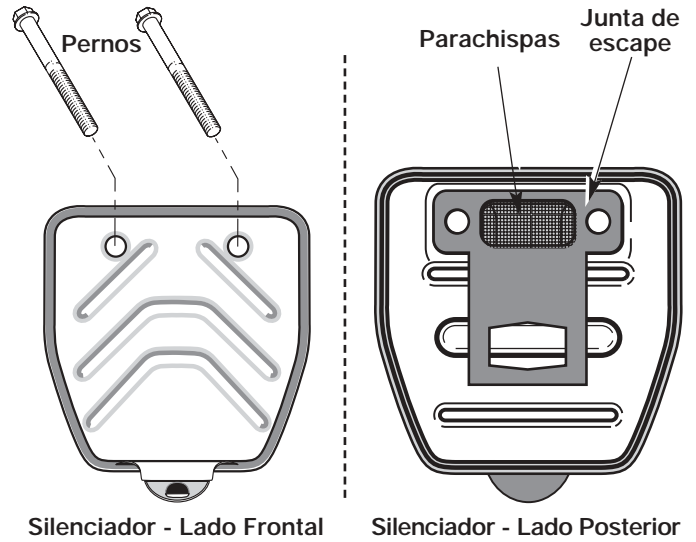


Fig. 38

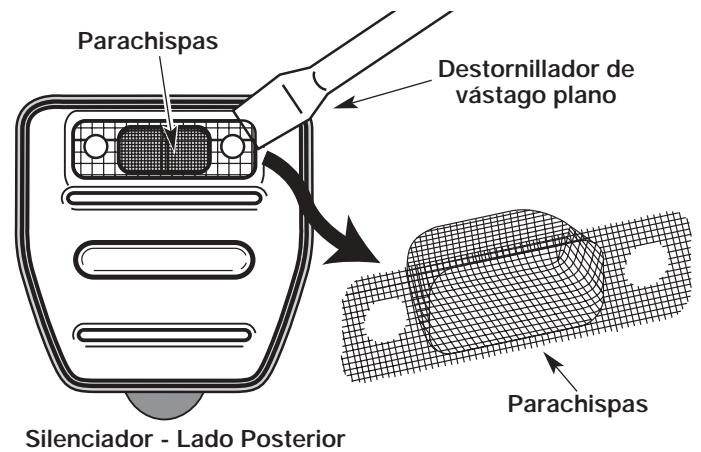


Fig. 39



ADVERTENCIA: Si el silenciador no se aprieta fijamente se puede caer y causarle daño a la unidad y posibles lesiones personales graves.

INSTRUCCIONES DE MANTENIMIENTO Y REPARACION

AJUSTE DEL CARBURADOR

La velocidad lenta del motor puede ser ajustada por la cubierta del silenciador / filtro de aire (Fig. 40).

NOTA: Los ajustes realizados sin cuidado pueden dañar seriamente su unidad. Los ajustes del carburador deben ser realizados por un proveedor de servicio autorizado.

Controle la mezcla del combustible

Una mezcla incorrecta o vieja de combustible es en general el motivo por el cual la unidad no funciona adecuadamente. Drene y vuelva a llenar el tanque con combustible nuevo y bien mezclado antes de hacer ningún ajuste. Consulte la *Información sobre Aceite y Combustible*.

Limpie el filtro de aire

La condición del filtro de aire es importante para la operación de la unidad. Un filtro de aire sucio limitará el flujo de aire y cambiará la mezcla de combustible y aire en el carburador. Esto con frecuencia se confunde con un carburador mal ajustado. Verifique la condición del filtro de aire antes de ajustar el tornillo de marcha lenta. Consulte *Mantenimiento del Filtro de Aire*.

Ajuste del tornillo de marcha lenta

Si luego de verificar la mezcla del combustible y limpiar el filtro de aire el motor aún no funciona en mínima, ajuste el tornillo de velocidad lenta de la siguiente manera.

1. Arranque el motor y déjelo funcionar en marcha lenta durante un minuto para calentarlo. Lea las *Instrucciones de arranque y apagado*.



ADVERTENCIA: El accesorio de corte puede estar girando durante los ajustes del carburador. Use ropa que lo proteja y cumpla con todas las instrucciones de seguridad para prevenir graves lesiones personales.

2. Suelte el gatillo del regulador y deje que el motor funcione en marcha lenta. Si el motor se para, inserte un pequeño destornillador Phillips o de vástago plano en el orificio de la cubierta del silenciador / filtro de aire (Fig. 40). Gire el tornillo de marcha lenta en **sentido horario**, de a 1/8 de vuelta por vez (según sea necesario) hasta que el motor funciona en mínima.

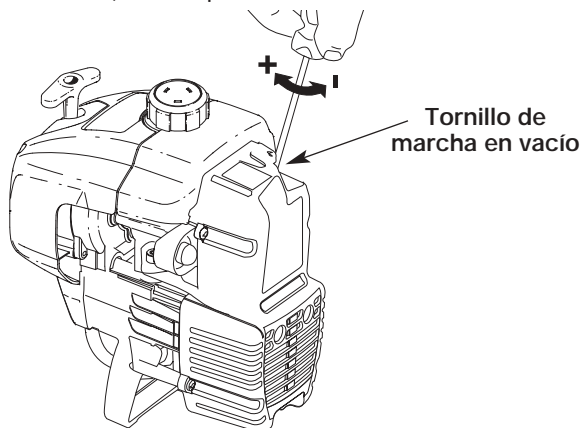


Fig. 40

NOTA: El accesorio de corte no debe girar mientras el motor está en marcha lenta.

3. Si el accesorio de corte gira cuando el motor está en marcha lenta, gire el tornillo de marcha lenta en **sentido antihorario** 1/8 de vuelta por vez (según sea necesario) para reducir la velocidad lenta.

El control de la mezcla de combustible, la limpieza del filtro de aire y el ajuste del tornillo de marcha lenta deben resolver la mayoría de los problemas del motor.

De no ser así y si:

- El motor no funciona en mínima
- El motor fluctúa o se para al acelerar
- Existe una pérdida de fuerza motriz

Lleve el carburador a un proveedor de servicio autorizado para que lo ajuste.



ADVERTENCIA: Al apagar la unidad, asegúrese de que el accesorio de corte se haya detenido antes de apoyar la unidad para prevenir graves lesiones personales.

CAMBIO DE LA BUJIA DE ENCENDIDO

Use una bujía de encendido Champion RDJ7Y (o similar). La separación correcta es de **0.020 pulgadas (0.5 mm)**. Retire la bujía luego de cada **25 horas** de operación e inspeccione su estado.

1. Apague el motor y espere que se enfríe. Tome el alambre de la bujía con firmeza y sáquelo de la bujía de encendido.
2. Limpie alrededor de la bujía de encendido. Saque la bujía de encendido de la cabeza del cilindro girando una llave de casquillo de 5/8 de pulgada en sentido antihorario.
3. Cambie las bujías que estén rajadas, sucias o deterioradas. Fije la separación de aire a **0.020 pulgadas (0.5 mm)** utilizando un calibrador (Fig. 41).



PRECAUCION: No limpie con chorro de arena, ni raspe ni limpie los electrodos. El motor podría dañarse si penetran pequeñas partículas en el cilindro.

4. Instale una bujía de encendido con la separación correcta en la cabeza del cilindro. Ajuste girando la llave de casquillo de 5/8 pulg. en sentido horario hasta que esté ajustada sin huelgo.

Si usa una llave de torsión, ajuste a: **110-120 pulg. • libras (12.3-13.5 N•m)**.
No ajuste demasiado.

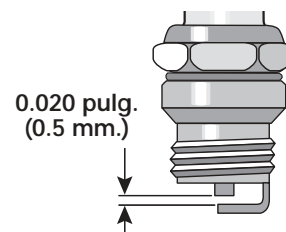


Fig. 41

INSTRUCCIONES DE MANTENIMIENTO Y REPARACION

LIMPIEZA



ADVERTENCIA: Para evitar graves lesiones personales, apague siempre su recortador y espere que se enfríe antes de limpiarlo o realizar cualquier tipo de mantenimiento.

Use un cepillo pequeño para limpiar la parte exterior de la unidad. No use detergentes fuertes. Los limpiadores domésticos que contienen aceites aromáticos como pino y limón, y con solventes como el queroseno pueden dañar el bastidor de plástico y la manija. Seque toda la humedad con un paño suave.

ALMACENAMIENTO

- No guarde nunca la unidad con combustible en el tanque donde los vapores puedan llegar a una llama o chispa.
- Espere que el motor se enfríe antes de guardar la unidad.
- Guarde la unidad bajo llave para prevenir el uso por personas no autorizadas y daños.
- Guarde la unidad en un área seca y bien ventilada.
- Guarde la unidad fuera del alcance de los niños.

ALMACENAMIENTO PROLONGADO

Si planea guardar la unidad durante un largo período de tiempo, siga el siguiente procedimiento para su almacenamiento.

1. Drene todo el combustible del tanque de combustible en un recipiente que contenga la misma mezcla de combustible de 2 ciclos. No use combustible que haya permanecido guardado durante más de 60 días. Deseche la mezcla vieja de combustible y aceite de acuerdo a las regulaciones federales, estatales y locales.
2. Arranque el motor y déjelo funcionar hasta que se ahogue. Esto asegura que todo el combustible ha sido drenado del carburador.
3. Espere que el motor se enfríe. Retire la bujía de encendido y coloque alrededor de 1 onza (30 ml) de cualquier aceite para motor de 2 ciclos buena calidad dentro del cilindro. Tire de la cuerda de arranque lentamente para esparcir el aceite. Vuelva a instalar la bujía de encendido.

NOTA: Saque la bujía de encendido y drene todo el aceite del cilindro antes de intentar arrancar el recortador después de su almacenamiento.

4. Limpie bien la unidad e inspeccione para ver si existen partes flojas o dañadas. Repare o cambie las partes dañadas y ajuste los tornillos, tuercas o pernos que puedan estar flojos. La unidad está ahora lista para ser guardada.

TRANSPORTE

- Espere que el motor se enfríe antes de transportar
- Drene el combustible de la unidad.
- Ajuste la tapa del combustible antes de transportar.
- Asegure la unidad durante su transporte.

ACCESORIOS/PIEZAS DE REPUESTO

Aceite de 2 ciclos	147543
Bujía de encendido	610311
Parachispas	182747
Línea de repuesto	180120
Cartucho de la línea de repuesto	147345
Resorte del carrete interior	610636
Bobina exterior	683301
Carrete interior	147495
Botón de tope	180814
Tapa del combustible	180000
Correa para el hombro	682075

Puede adquirir estas piezas de repuesto en su distribuidor local autorizado.

RESOLUCION DE PROBLEMAS

EL MOTOR NO ARRANCA

CAUSA

El tanque de combustible está vacío
La bombilla de cebado no fue oprimida lo suficiente
El motor está inundado
El combustible es viejo o está mal mezclado

La bujía de encendido está arruinada
Parachispas obstruido
La palanca EZ-Start™ no estaba en la posición correcta

ACCIÓN

Llene el tanque con combustible bien mezclado
Oprima la bombilla de cebado total de 10 veces
Use el procedimiento de arranque
Drene el tanque de gasolina / Agregue mezcla de combustible nueva
Cambie o limpie la bujía de encendido
Limpie o cambie el parachispas
Mueva la palanca a la posición de arranque

EL MOTOR NO FUNCIONA EN MINIMA

CAUSA

El filtro de aire está obstruido
El combustible es viejo o está mal mezclado

El carburador no está ajustado en forma correcta

ACCIÓN

Cambie o limpie el filtro de aire
Drene el tanque de gasolina / Agregue mezcla de combustible nueva
Ajuste según las instrucciones

EL MOTOR NO ACELERA

CAUSA

El combustible es viejo o está mal mezclado

El carburador no está ajustado en forma correcta

El accesorio de corte está atascado de hierba
El filtro de aire está sucio
Parachispas obstruido

ACCIÓN

Drene el tanque de gasolina / Agregue mezcla de combustible nueva
Lleve la unidad a un proveedor de servicio autorizado para hacer un ajuste de carburador
Pare el motor y limpie el accesorio de corte
Limpie o cambie el filtro de aire
Limpie o cambie el parachispas

EL MOTOR NO TIENE SUFICIENTE POTENCIA O SE AHOGA AL CORTAR

CAUSA

El combustible es viejo o está mal mezclado

El carburador no está ajustado en forma correcta

La bujía de encendido está arruinada
Parachispas obstruido

ACCIÓN

Drene el tanque de gasolina / Agregue mezcla de combustible nueva
Lleve la unidad a un proveedor de servicio autorizado para hacer un ajuste de carburador
Cambie o limpie la bujía de encendido
Limpie o cambie el parachispas

LA CABEZA DE CORTE NO HACE AVANZAR LINEA

CAUSA

El accesorio de corte está atascado de hierba
El accesorio de corte no tiene línea
El carrete interior está trabado
La cabeza de corte está sucia
La línea se ha soldado
La línea se retorció al reponerla
No hay suficiente línea expuesta

ACCIÓN

Pare el motor y limpie el accesorio de corte
Coloque una línea nueva
Cambie el carrete interior
Limpie el carrete interior y la bobina exterior
Desarme, saque la sección soldada y rebobine la línea
Desarme y rebobine la línea
Oprima el botón de tope y tire de la línea hasta sacar 4 pulgadas (102 mm) de línea fuera del accesorio de corte.

LA LÍNEA DE CORTE AVANZA SIN CONTROL

CAUSA

El cabezal de corte tiene aceite

ACCIÓN

Limpie el aditamento de corte

Si necesita asistencia adicional, comuníquese con su proveedor de servicio autorizado.

ESPECIFICACIONES

MOTOR*

Tipo de motor.....	Enfriado por aire, de 2 ciclos
Carrera	1.25 pulg. (31.75 mm)
Desplazamiento	1.9 pulg. cúbicas (31 cc)
Tipo de embrague	Centrífugo
R.P.M. de velocidad mínima	2,800 - 4,000 r.p.m.
R.P.M. de operación (Recortador).....	7,200+ r.p.m.
Tipo de encendido	Electrónico
Interruptor de encendido	Interruptor oscilante
Separación de la bujía de encendido.....	0.020 pulg. (0.5 mm.)
Lubricación.....	Mezcla de combustible y aceite
Proporción de combustible - aceite.....	40:1
Carburador	Diafragma, multiposicional
Arranque	Rebobinado automático
Silenciador	Desviado con protección
Regulador	Retroceso manual a resorte
Capacidad del tanque de combustible.....	12 onzas (355 ml)

EJE IMPULSOR Y ACCESORIO DE CORTE*

Bastidor del eje impulsor	Tubo de acero
Control del regulador	Gatillo para el dedo con traba
Peso de la unidad (Sin combustible, con accesorio de corte, protector accesorio de corte y manija en "J").....	14.75 libras (6.69 kg)
Mecanismo de corte	Cuchilla de corte de 4 dientes, cabeza de corte de cuerda doble
Bobina de la línea	Desprendedor percusivo de línea
Diámetro de la bobina de la línea.....	4 pulgadas (101.6 mm)
Diámetro de la línea de corte	0.095 pulgadas (2.41 mm)
Diámetro de la trayectoria de corte, accesorio de corte	18 pulgadas (45.7 cm)
Diámetro de la trayectoria de corte, cuchilla de corte	8 pulgadas (204 mm)
Arnés para el hombro	Broche individual a presión

*Toda las especificaciones contenidas en este manual se basan en la información más reciente disponible en el momento de impresión del manual. Nos reservamos el derecho de hacer cambios en cualquier momento sin aviso previo.

Declaración de Garantía de Control de Emisiones de la EPA Sus Derechos y Obligaciones de la Garantía

La Agencia de Protección Ambiental y MTD LLC (MTD) se complacen en explicar la garantía del sistema de control de emisiones para su pequeño motor para uso fuera de la carretera del 2002 y posterior. Los nuevos motores pequeños para uso fuera de la carretera tienen que diseñarse, construirse y equiparse para cumplir las normas contra smog más estrictas. Ryobi tiene que garantizar el sistema de control de emisiones de su pequeño motor para uso fuera de la carretera durante los períodos de tiempo que aparecen a continuación siempre que no haya habido abuso, negligencia o mantenimiento indebido de su motor para uso fuera de la carretera.

Su sistema de control de emisiones puede incluir piezas como el carburador y el sistema de inyección de combustible, el sistema de encendido y el convertidor del catalizador. También se pueden incluir mangueras, correas, conectores y otros conjuntos relacionados con la emisión.

Donde existan las condiciones de garantía, Ryobi reparará su pequeño motor para uso fuera de la carretera sin costo alguno para usted incluyendo el diagnóstico, las piezas y la mano de obra.

Los pequeños motores para uso fuera de la carretera del 2002 y posteriores, se garantizan por dos años. Si alguna pieza de su motor relacionada con la emisión está defectuosa, la pieza será reparada o reemplazada por Ryobi.

Responsabilidades de Garantía de los Propietarios

Como propietario del pequeño motor para uso fuera de la carretera, usted es responsable de realizar el mantenimiento requerido que aparece en el manual del operador. Ryobi recomienda que conserve todos los comprobantes que cubren el mantenimiento de su pequeño motor para uso fuera de la carretera, pero Ryobi no puede negar garantía exclusivamente por la falta de comprobantes o por que usted no haya realizado todos los mantenimientos programados.

Como propietario del pequeño motor para uso fuera de la carretera, usted debe conocer que Ryobi puede negarle cobertura de garantía si su pequeño motor para uso fuera de la carretera o una pieza ha fallado debido a abuso, negligencia, mantenimiento inadecuado o modificaciones no aprobadas.

Usted es responsable de presentar su pequeño motor para uso fuera de la carretera a un Centro de Servicio Autorizado Ryobi tan pronto como exista un problema. Las reparaciones de garantía deben completarse en un período de tiempo razonable, el cual no deberá ser mayor de 30 días.

Si tiene alguna pregunta relacionada con los derechos y responsabilidades de la garantía, debe llamar al 1-800-345-8746.

Cobertura de Garantía del Fabricante

El período de garantía comienza en la fecha en que el motor o equipo se entrega al comprador minorista.

El fabricante garantiza al propietario original y a cada comprador subsiguiente, que el motor está libre de defectos en cuanto a material y mano de obra que ocasionen la falla de una pieza bajo garantía durante un período de dos años.

La reparación o reemplazo de una pieza bajo garantía se llevará a cabo sin cargo alguno para el propietario en un Centro de Servicio Ryobi Autorizado. Para conocer el establecimiento más cercano, comuníquese con Ryobi llamando al: 1-800-345-8746.

Cualquier pieza bajo garantía que no esté programada para ser reemplazada, según indica el mantenimiento requerido o que esté programada solamente para inspección regular a los efectos de "Repáre o Reemplace según sea Necesario" está garantizada durante el período de garantía. Cualquier pieza bajo garantía que esté programada para ser reemplazada según indica el mantenimiento requerido tendrá garantía durante el período de tiempo hasta el primer punto de reemplazo programado para dicha pieza.

No se le cobrará al propietario la mano de obra de diagnóstico que conlleve a la determinación de que una pieza bajo garantía está defectuosa, si dicho trabajo de diagnóstico se lleva a cabo en un Centro de Servicio Ryobi Autorizado.

El fabricante es responsable de los daños ocasionados a otros componentes del motor producidos por la falla de una pieza bajo garantía que todavía esté bajo garantía.

Las fallas ocasionadas por abuso, negligencia o mantenimiento inadecuado no están cubiertas por la garantía.

El uso de accesorios optativos o piezas modificadas puede ser motivo justificado para no aceptar una reclamación de garantía. El fabricante no es responsable de cubrir fallas de piezas bajo garantía ocasionadas por el uso de accesorios optativos o piezas modificadas.

Para presentar una reclamación, vaya a su Centro de Servicio Ryobi Autorizado más cercano. Los servicios o reparación por motivo de garantía se realizarán en todos los Centros de Servicio Ryobi Autorizados.

Cualquier pieza de reemplazo aprobada por el fabricante puede ser utilizada para llevar a cabo el mantenimiento o la reparación de garantía de piezas relacionadas con la emisión y se realizará sin cargo alguno para el propietario. Cualquier pieza de reemplazo que sea equivalente en rendimiento o durabilidad puede ser utilizada en el mantenimiento o reparación sin garantía y no reducirá las obligaciones de garantía del fabricante.

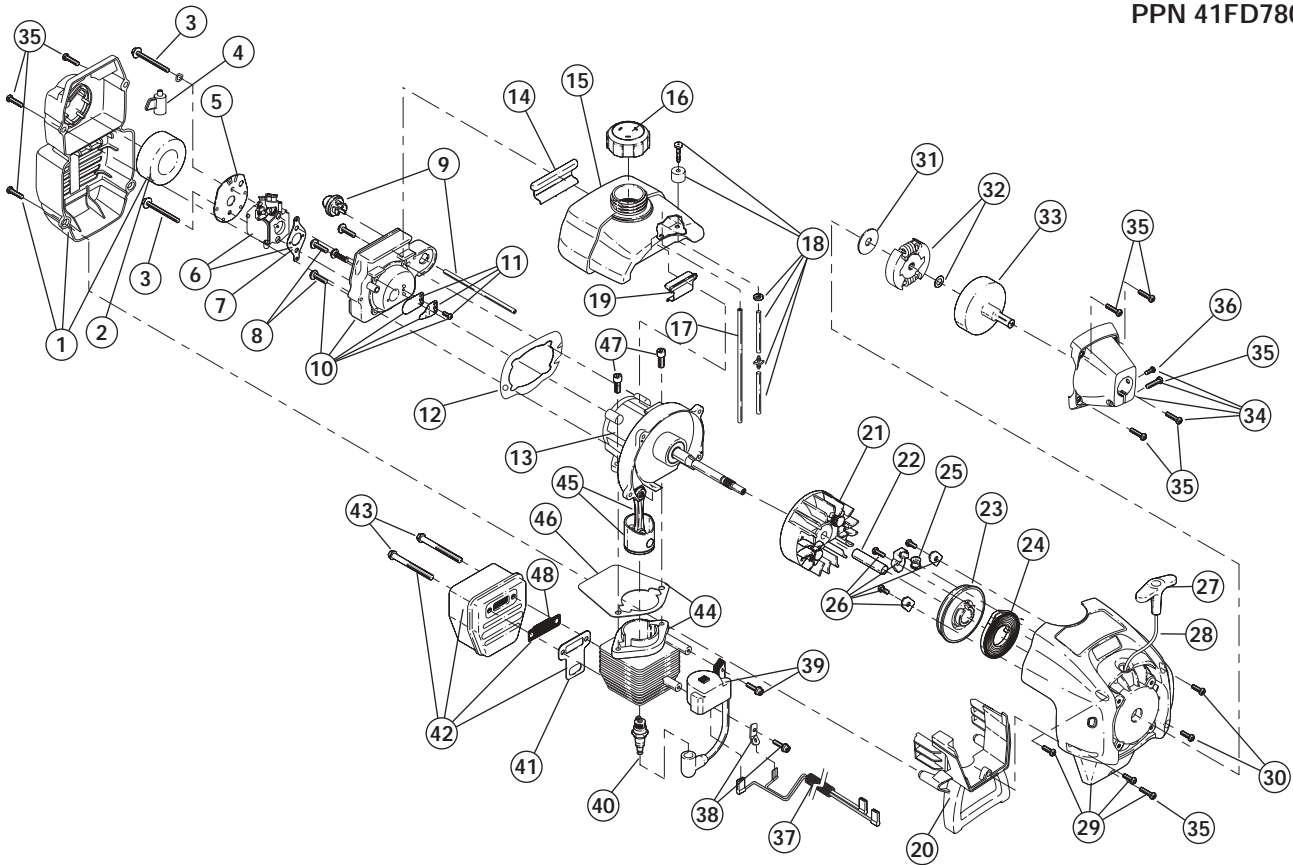
Los componentes siguientes se incluyen en la garantía relacionada con emisiones del motor, filtro de aire, carburador, cebador, líneas de combustible, toma de combustible, filtro de combustible, módulo de encendido, bujía de encendido y silenciador.

NOTAS

PARTS LIST

ENGINE PARTS - MODEL 780r 2-CYCLE GAS TRIMMER

PPN 41FD780G034



Item	Part No.	Description	Item	Part No.	Description
1	753-1192	Air Cleaner/Muffler Cover Assembly (includes 2 & 35)	28	791-613103	Rope
2	791-180350	Air Cleaner Filter	29	791-181797	Starter Housing Assembly (includes 23-28, 30 & 35)
3	791-180351	Carburetor Mounting Screws	30	791-181862	Housing Screws
4	753-04227	Choke Extention	31	791-182368	Clutch Washer
5	753-1194	Choke Plate	32	791-182369	Clutch Rotor Assembly
6	753-04331	Carburetor Assembly (includes 7)	33	791-153592	Clutch Drum Assembly
7	791-610675	Carburetor Gasket	34	791-182797	Clutch Cover Assembly
8	791-181860	Carb Mount Screw	35	791-181345	Cover Screw
9	791-181558	Primer and Hose Assembly	36	791-182519	Anti-Rotation Screw
10	753-1196	Carb Mount Assembly (includes 8 & 11)	37	791-182798	Wire Leads and Sleeve
11	791-684451	Reed Assembly	38	791-611063	Ground Tab
12	753-1208	Carburetor Mount Gasket	39	753-04337	Module Assembly
13	753-04332	Crank Case Service Assembly (includes 8)	40	791-610311	Spark Plug
14	791-612134	Rear Mounting Pad	41	753-04159	Exhaust Gasket
15	753-04311	Fuel Tank Assembly (includes 16-18)	42	791-182066	Muffler Assembly (includes 41, 43 & 48)
16	791-182438	Fuel Cap Assembly	43	791-147575	Muffler Mounting Bolt Assembly
17	791-181168	Fuel Return Line	44	753-04323	Cylinder Assembly (includes 46 & 47)
18	791-682039	Fuel Line Assembly	45	753-1207	Piston and Rod Assembly
19	791-145308	Front Mounting Pad	46	753-1197	Cylinder Gasket
20	791-182064	Shroud Extension and Stand	47	791-182723	Cylinder Bolt
21	791-182736	Flywheel Assembly	48	791-182747	Spark Arrestor Screen
22	791-181065	Spacer	*	753-04134	Engine Gasket Kit
23	753-04232	Recoil Pulley Assembly	*	791-180602	O.E.M. Carburetor Repair Kit
24	791-613102	Recoil Spring	*	791-181873	Gasket Diaphragm Repair Kit
25	791-611061	Rope Guide	*	792-1209	Piston Ring
26	791-181441	Pulley Retainer Assembly	*	753-04334	Short Block Assembly (includes 8, 13, 40, 44-48)
27	791-181079	Pull Handle	*	791-181599	Clutch Springs (Qty. 2)
			*		Items Not Shown

PARTS LIST

BOOM AND TRIMMER PARTS - MODEL 780r 2-CYCLE GAS TRIMMER

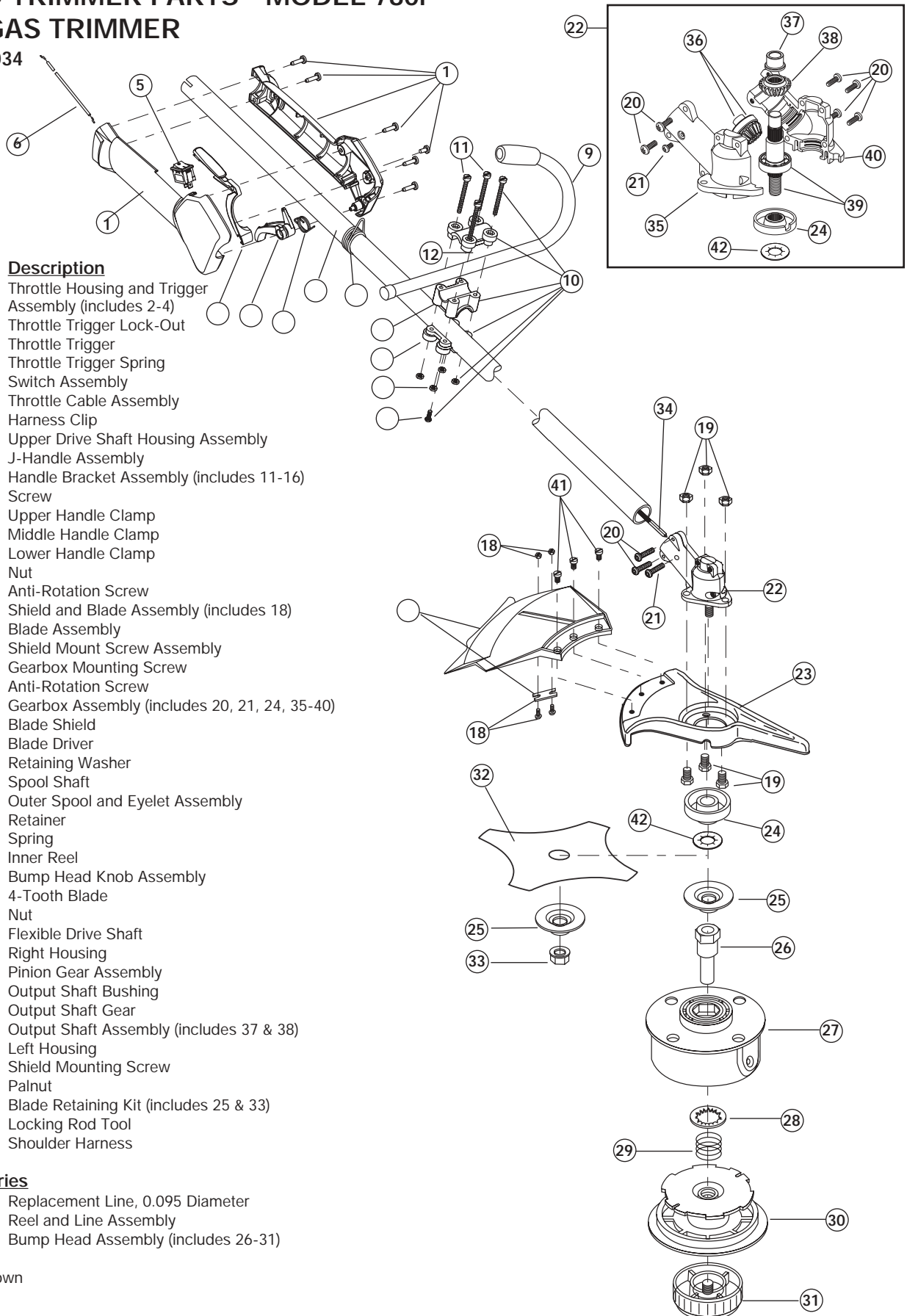
PPN 41FD780G034

Item	Part No.	Description
1	791-182801	Throttle Housing and Trigger Assembly (includes 2-4)
2	791-182802	Throttle Trigger Lock-Out
3	791-182803	Throttle Trigger
4	791-182690	Throttle Trigger Spring
5	791-182405	Switch Assembly
6	753-04278	Throttle Cable Assembly
7	791-610327	Harness Clip
8	791-147486	Upper Drive Shaft Housing Assembly
9	791-181099	J-Handle Assembly
10	791-683295	Handle Bracket Assembly (includes 11-16)
11	791-181811	Screw
12	791-181812	Upper Handle Clamp
13	791-181813	Middle Handle Clamp
14	791-181814	Lower Handle Clamp
15	791-181815	Nut
16	791-145569	Anti-Rotation Screw
17	791-683299	Shield and Blade Assembly (includes 18)
18	791-682061	Blade Assembly
19	791-182200	Shield Mount Screw Assembly
20	791-182195	Gearbox Mounting Screw
21	791-145569	Anti-Rotation Screw
22	791-182193	Gearbox Assembly (includes 20, 21, 24, 35-40)
23	791-147492	Blade Shield
24	791-182196	Blade Driver
25	791-147490	Retaining Washer
26	791-612483	Spool Shaft
27	791-683301	Outer Spool and Eyelet Assembly
28	791-612026	Retainer
29	791-610636	Spring
30	791-147495	Inner Reel
31	791-180814	Bump Head Knob Assembly
32	791-145873	4-Tooth Blade
33	791-181699	Nut
34	791-181817	Flexible Drive Shaft
35	Right Housing	
36	791-182194	Pinion Gear Assembly
37	791-182199	Output Shaft Bushing
38	791-182198	Output Shaft Gear
39	791-182197	Output Shaft Assembly (includes 37 & 38)
40	791-182191	Left Housing
41	791-683304	Shield Mounting Screw
42	753-04348	Palnut
*	791-180014	Blade Retaining Kit (includes 25 & 33)
*	791-613226	Locking Rod Tool
*	791-682075	Shoulder Harness

Optional Accessories

- * 791-180120 Replacement Line, 0.095 Diameter
- * 791-147345B Reel and Line Assembly
- * 791-147498 Bump Head Assembly (includes 26-31)

* Items Not Shown



GARANTÍA LIMITADA DEL FABRICANTE PARA:

RYOBI®

A continuación MTD expone una garantía limitada MTD LLC ("MTD") en relación con su nueva mercadería adquirida y utilizada en los Estados Unidos, sus posesiones y territorios.

MTD garantiza su producto en cuanto a defectos en el material y mano de obra por un período de dos ("2") años, comenzando a partir de la fecha de la compra original y, según su criterio, reparará o reemplazará sin costo alguno, cualquier parte que se detecte defectuosa en cuanto al material o mano de obra. Esta garantía limitada sólo se aplicará si este producto se ha manejado y mantenido de acuerdo al Manual del usuario que se adjunta al producto, y si no se le ha sometido a un uso erróneo, abuso, utilización comercial, negligencia, accidente, mantenimiento inadecuado, alteración, vandalismo, hurto, fuego, agua o daño debido a otro peligro o desastre natural. Cualquier daño ocasionado por la instalación o uso de cualquier accesorio o aparato eléctrico que MTD no autorice para su utilización con el(los) producto(s) a que este manual se refiere, anulará su garantía respecto a cualquier daño consecutivo.

Esta garantía se extiende por noventa (90) días a partir de la fecha de la compra original al detalle de cualquier producto MTD que se emplea para arrendar o con propósitos comerciales, o cualquier otro propósito que produzca una ganancia.

CÓMO OBTENER SERVICIO: El servicio de garantía se encuentra disponible, CON COMPROBANTE DE COMPRA A TRAVÉS DEL REPRESENTANTE DE SERVICIO AUTORIZADO EN SU LOCALIDAD. Para ubicar al representante de su área, por favor, revise las Páginas Amarillas o comuníquese con el Departamento de Servicio al Cliente de MTD LLC llamando al 1-800-345-8746 o por correo a P.O. Box 361131, Cleveland OH 44136-0019; en Canadá llame al 1-800-668-1238. No se aceptará ningún producto devuelto directamente a la fábrica, a menos que previamente el Departamento de Servicio al Cliente de MTD LLC. haya extendido un permiso por escrito.

Esta garantía limitada no proporciona cobertura en los siguientes casos:

- A. Afinación, bujías, ajustes del carburador, filtros.
- B. Artículos desgastables, manijas de la defensa, carretes externos, conducto diluyente, bobina interna, polea de arranque, cables de arranque, banda de conducción.
- C. MTD no extiende garantía a productos vendidos o exportados fuera de Estados Unidos, sus posesiones y territorios, excepto aquellos vendidos a través de canales autorizados para la distribución de exportación de MTD.

MTD se reserva el derecho a cambiar o mejorar el diseño de cualquier Producto RYOBI® sin asumir cualquier obligación en cuanto a modificar cualquier producto previamente fabricado.

Ninguna garantía implícita, incluyendo cualquier garantía implícita de comercio o conveniencia para un propósito particular, se aplica después del período pertinente de la garantía explícita escrita que aparece anteriormente en cuanto a las partes como se identifican. Ninguna otra garantía o garante explícito, ya sea escrito u oral, excepto la que se menciona arriba, entregada por cualquier persona o entidad, incluyendo comerciante o detallista, en cuanto a cualquier producto comprometerá a MTD. Durante el período de garantía, los recursos exclusivos se refieren a reparar o reemplazar el producto como se expresa arriba. (Algunos estados no permiten restricciones en cuanto a la duración de una garantía implícita, por lo tanto la restricción anterior podría no aplicar a usted.)

Las estipulaciones expresadas en esta garantía proporcionan el único y exclusivo recurso que se presenta a partir de las ventas. MTD no será responsable por pérdidas o daños incidentales o consecuentes incluyendo, sin restricción, gastos incurridos por sustitución o reemplazo de servicios de cuidado de césped, por transporte o por gastos relacionados, o por gastos de arriendo para reemplazar temporalmente un producto garantizado. (Algunos estados no permiten restricciones en cuanto a la duración de la garantía implícita, por lo tanto las restricciones anteriores podrían no aplicar a usted.)

En ningún caso cualquier recuperación será mayor que la cantidad del precio de compra del producto vendido. La alteración de las características de seguridad del producto invalidará esta garantía. Usted asume el riesgo y responsabilidad en caso de pérdida, daño, o perjuicio a usted y a su propiedad, y/o a otros y su propiedad que surja a partir del uso erróneo o incapacidad para utilizar el producto.

Esta garantía limitada se extenderá tan sólo al comprador original, arrendatario original o aquella persona que lo recibió como regalo.

Cómo las leyes estatales se relacionan con esta garantía: esta garantía le proporciona derechos legales específicos, y usted podría contar con otros derechos los cuales varían de acuerdo al estado en que se encuentre.

Para ubicar a su representante más cercano llame al 1-800-345-8746 en Estados Unidos o 1-800-668-1238 en Canadá.

MTD LLC

P.O. Box 361131

Cleveland, OH 44136-0019

**GUARDE ESTAS INSTRUCCIONES PARA USARLAS COMO REFERENCIA EN EL FUTURO.
PARA FORMULAR PREGUNTAS, LLAME AL 1-800-345-8746 EN LOS EE.UU.**

O AL 1-800-668-1238 EN CANADA